



E-TECH™
Precision Products for Industry

Fastening Attachment Catalog



Proudly Made in the U.S.A

Table of Contents

Introduction.....	1
Interfaces.....	2
Socket Profiles.....	5
Angle Heads.....	6
Hold and Drive Angle Heads.....	15
Crowfoot Attachments.....	21
Inline Crowfoot Attachments.....	80
Tubenut Attachments.....	94
Inline Tubenut Attachments.....	116
Hold and Drive Attachments.....	128

E- Tech Fastening Solutions

E-Tech fastening attachments have been designed to the highest engineering standards using CAD/CAM/FEA software. The latest technologies in precision machining, together with high grade materials and heat treatments add up to E-Tech attachments meeting the rigorous requirements of industry.

All standard attachments warranted for 12 months or 250,000 cycles



Absolute precision.

The synergy of our team – combined with our depth of experience and state-of-the-art technical capabilities – means every E-TECH tool is precision fit for your process and application.



Accuracy.

Unlike some manufacturers, we don't over promise and under deliver. We give you exactly what you need – the first time.



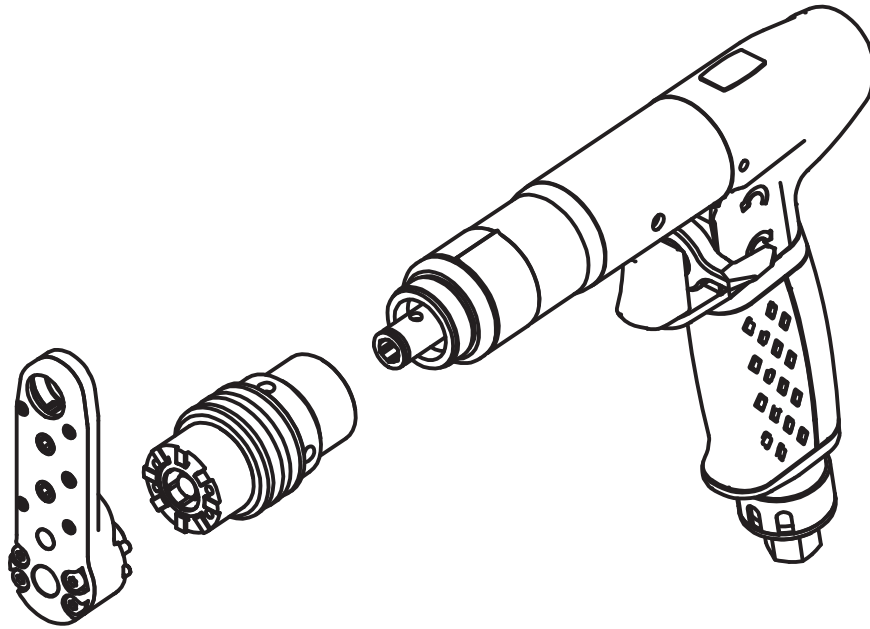
We understand.

Our old-school expertise and cutting-edge technology mean customers come to us to engineer the solutions they need.



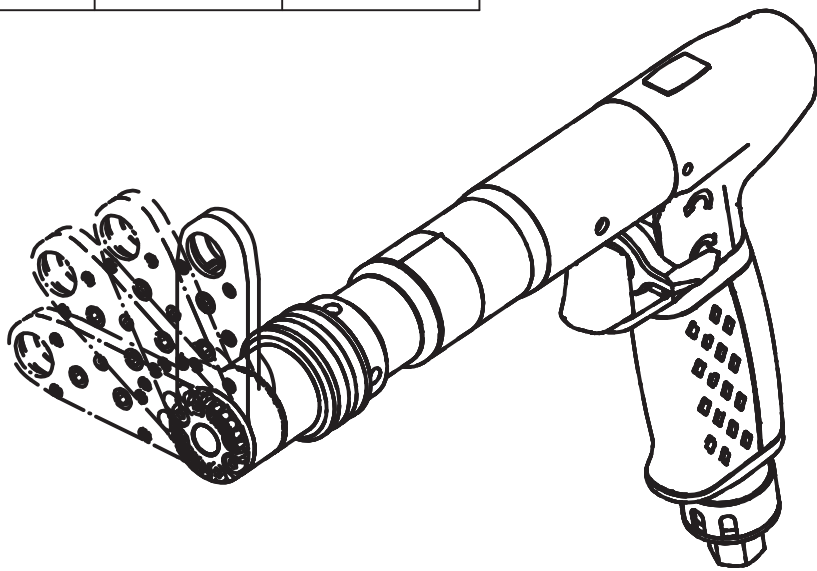
Durability.

Every E-TECH tool is designed, engineered and manufactured for longevity, reliability and uncompromising performance.



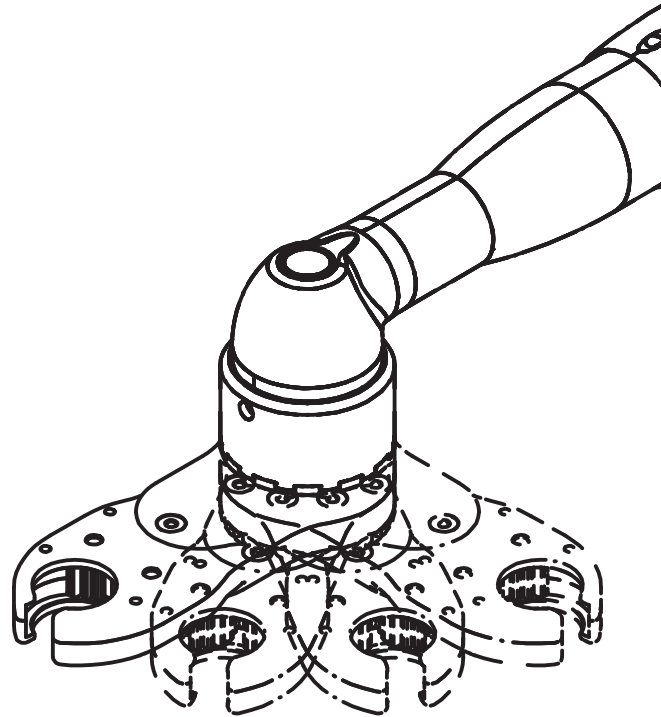
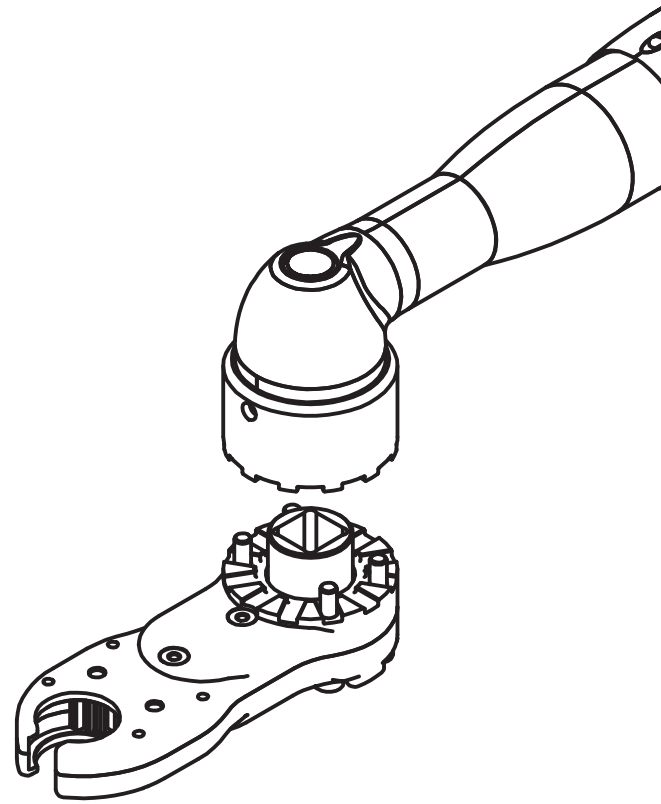
Pistol Adapter Indexing Interface

Adapter Group	Positions	Degrees
E32	16	22.5°
E42	16	22.5°

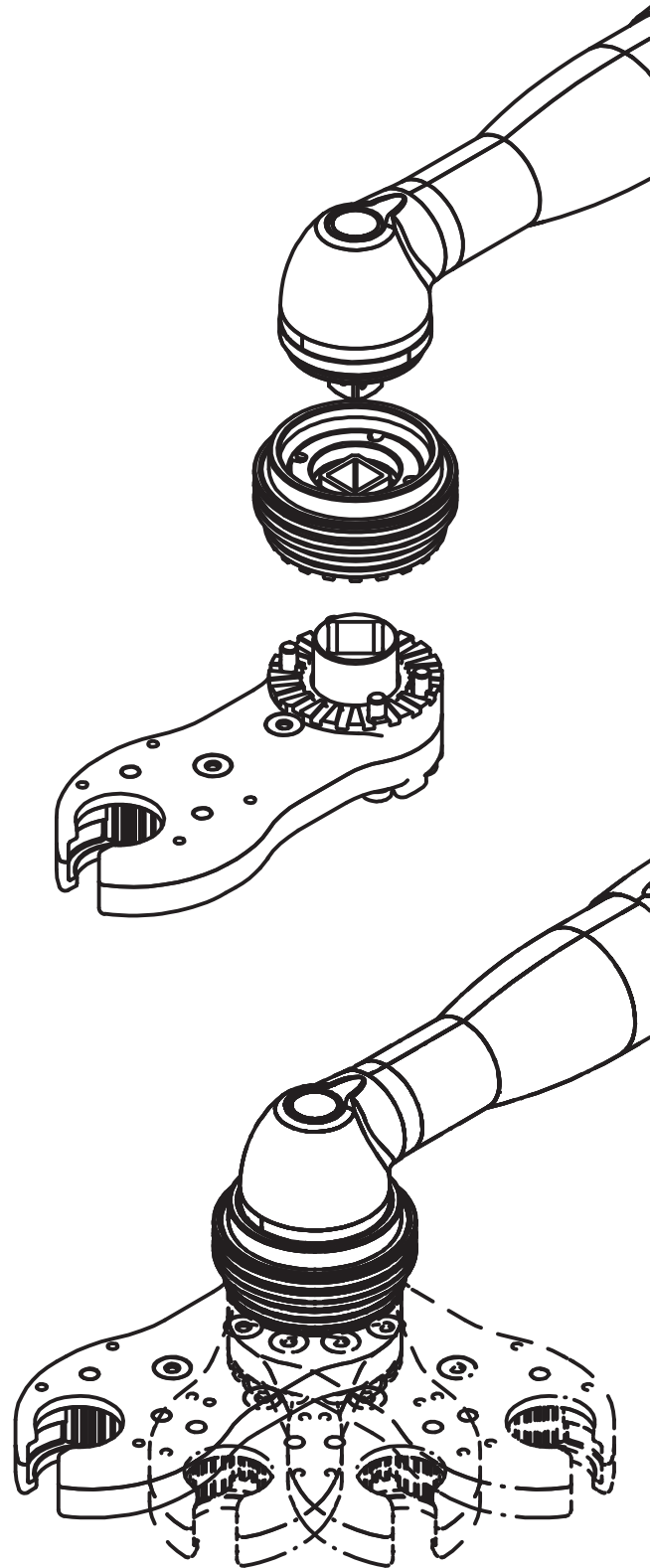


Angle Head Adapter Interface



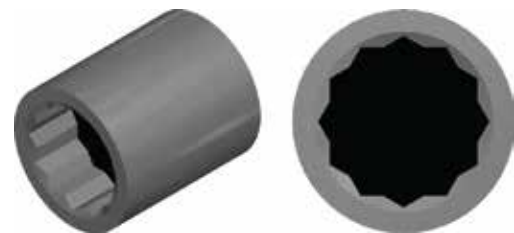

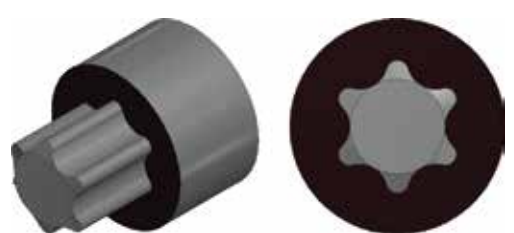
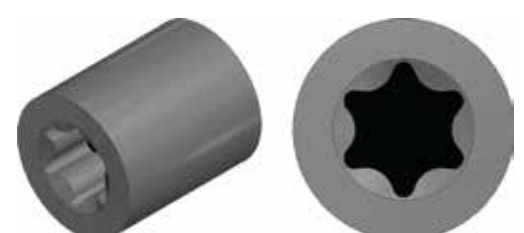
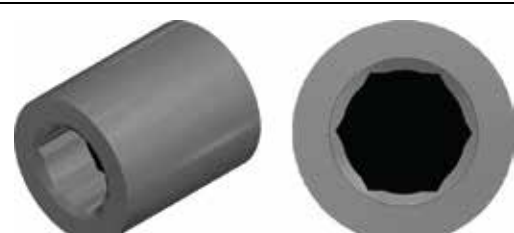
Adapter Group	Positions	Degrees
E32	8	45°
E42	12	30°
E54	20	18°
E64	22	16.36°
E74	22	16.36°
E84	22	16.36°
E92	12	30°



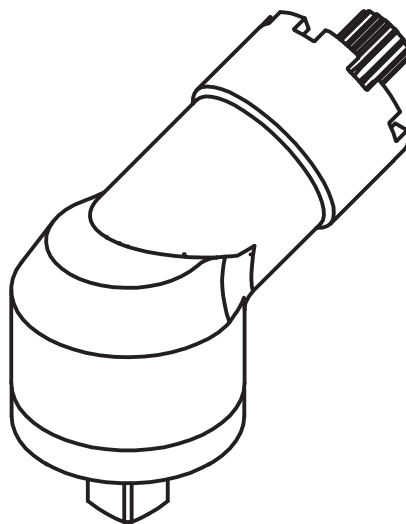
Angle Head Adapter Indexing Interface		
Adapter Group	Positions	Degrees
E32	16	22.5°
E42	20	18°
E54	18	20°
E64	42	8.57°
E74	43	8.37°
E84	54	6.66°



Socket Profiles

Hex (H)	Square Drive (SD)
	
Double Hex (DH)	Surface Drive (SFD)
	
Star (T)	Star (E)
	
Bit Holder (BH)	Other profiles available upon request
	

Angle Heads



Features & Benefits

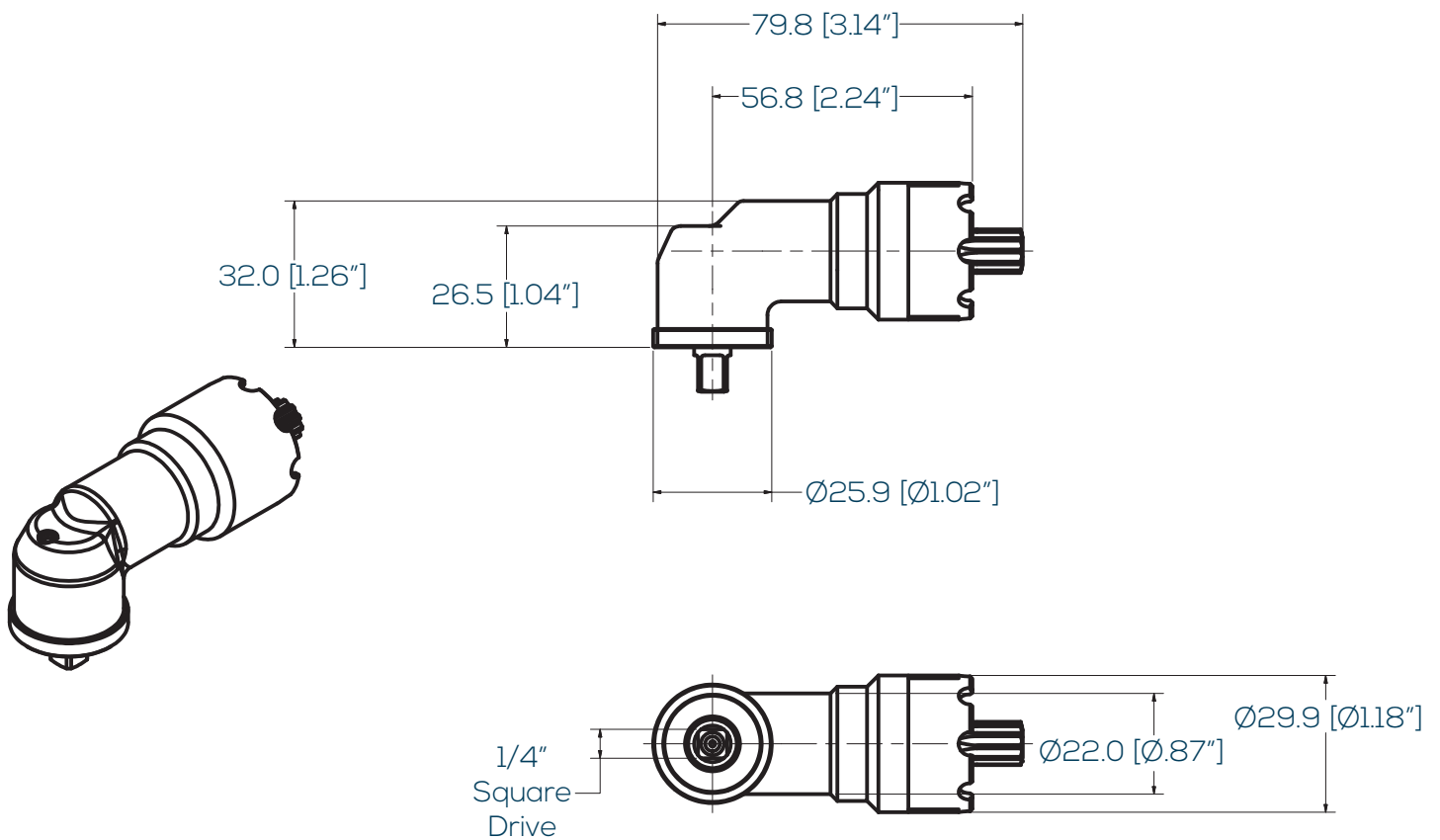
- Optimized Materials and Heat Treatment – Provides high durability.
- Bearing Construction – Roller and ball bearing design
- Modular Adapter System – Provides common interfaces between multiple product groups
- Gearing – Spiral cut
- Accuracy +/- 3%

Maintenance & Service

- Traceability – Model number and serial number engraved on each attachment.
- Lubrication – External grease fittings allows for preventative maintenance.
- Parts List – Allows for ease of ordering spare/replacement parts; Supplied with all attachments

AH90-12-250-EX3 90° Angle Head

**Max Torque:
12 Nm / 8.9 ft-lbs**

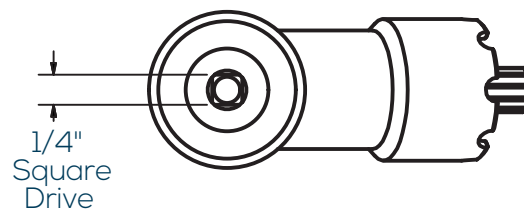
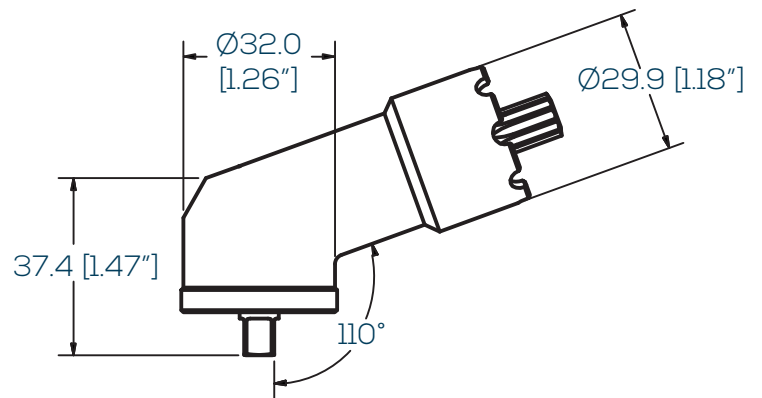


Specifications

Ordering Number	A1100009
Ratio	1.25:1
Efficiency	.95
Max Torque Output	12 Nm 8.9 ft-lbs
Adapter Series	EX3 Interface

AH110-22-250-EX3 110° Angle Head

**Max Torque:
22 Nm / 16.2 ft-lbs**

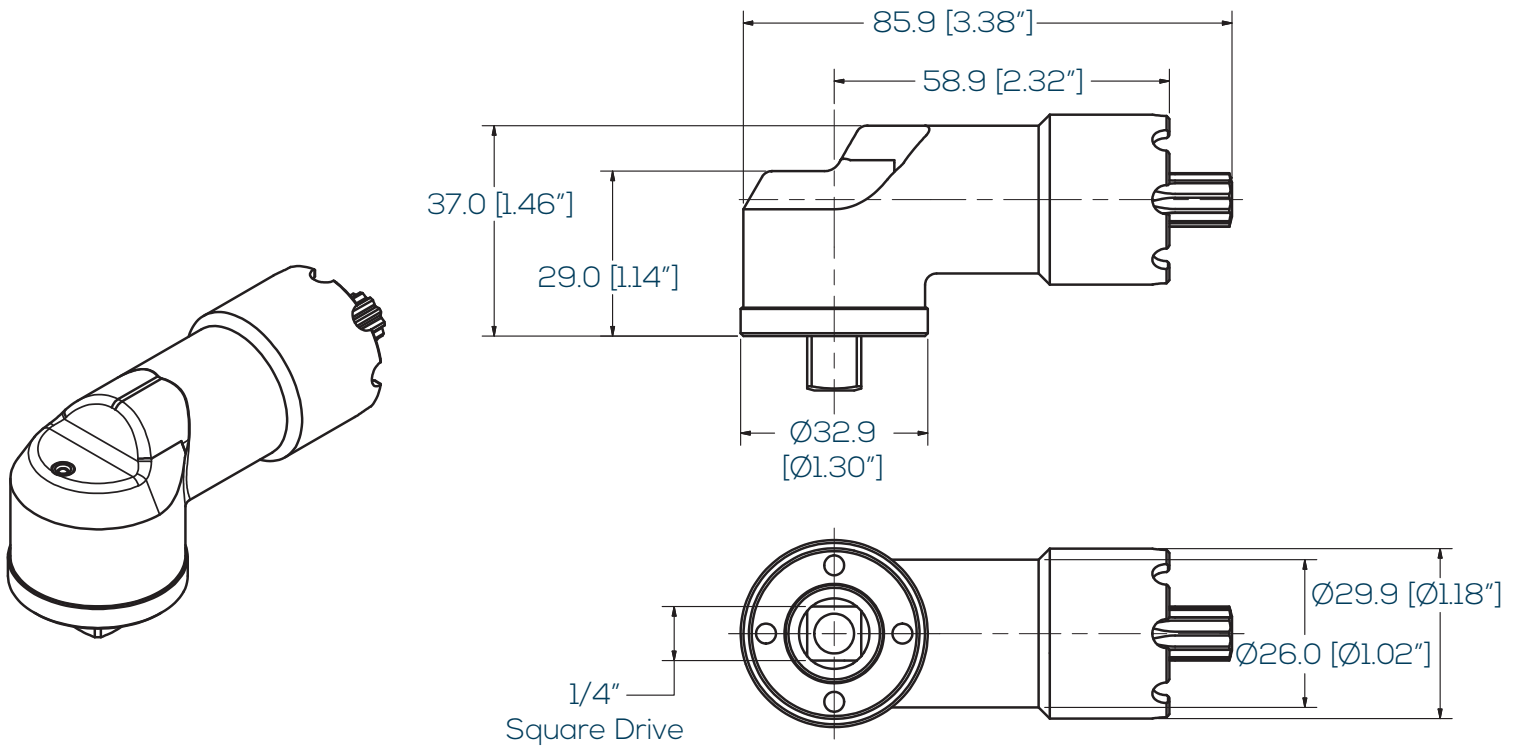


Specifications

Ordering Number	A1100003
Square Drive	1/4"
Ratio	1.4375:1
Efficiency	.95
Max Torque Output	22 Nm 16.2 ft-lbs
Adapter Series	EX3 Interface

AH90-25-375-EX3 90° Angle Head

**Max Torque:
25 Nm / 18.4 ft-lbs**

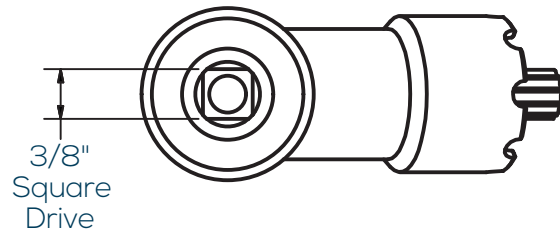
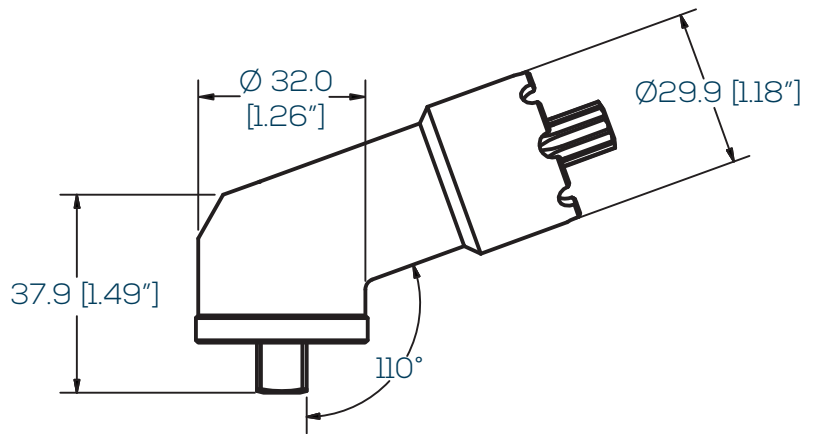
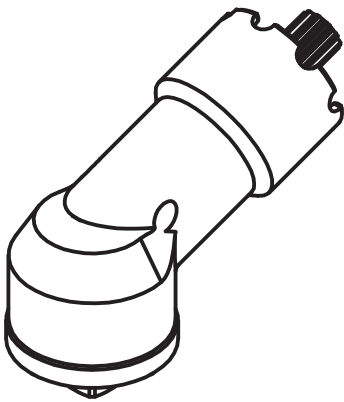


Specifications

Ordering Number	A1100014
Ratio	1.4375:1
Efficiency	.95
Max Torque Output	25 Nm 18.4 ft-lbs
Adapter Series	EX3 Interface

AH110-22-375-EX3 110° Angle Head

**Max Torque:
22 Nm / 16.2 ft-lbs**



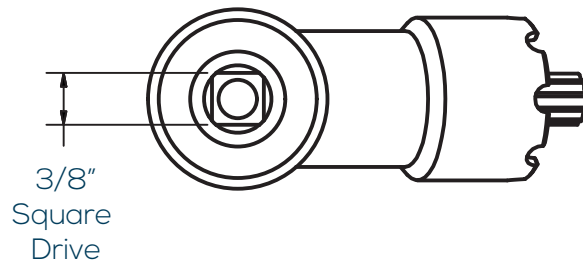
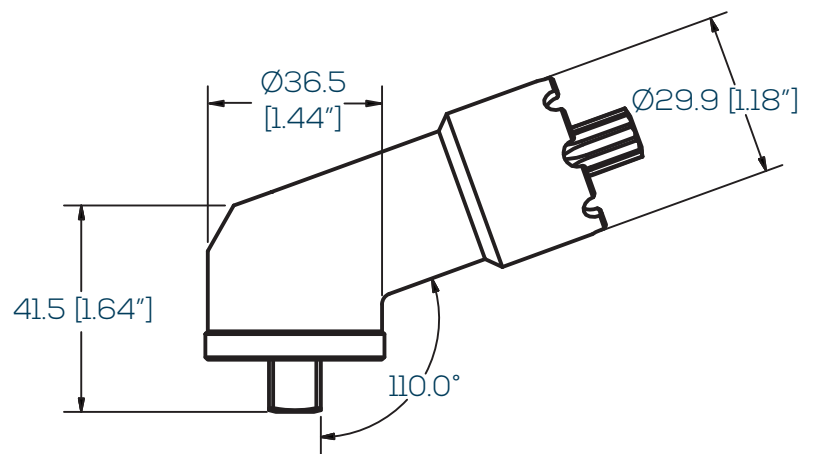
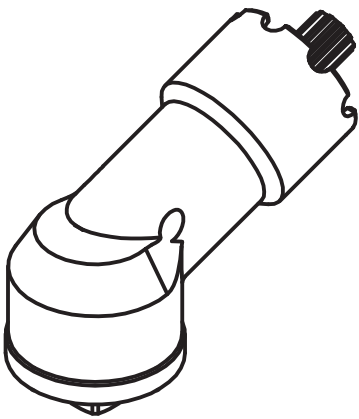
Specifications

Ordering Number	A1100002
Square Drive	3/8"
Ratio	1.4375:1
Efficiency	.95
Max Torque Output	22 Nm 16.2 ft-lbs
Adapter Series	EX3 Interface

AH110-35-375-EX3

110° Angle Head

**Max Torque:
35 Nm / 25.8 ft-lbs**

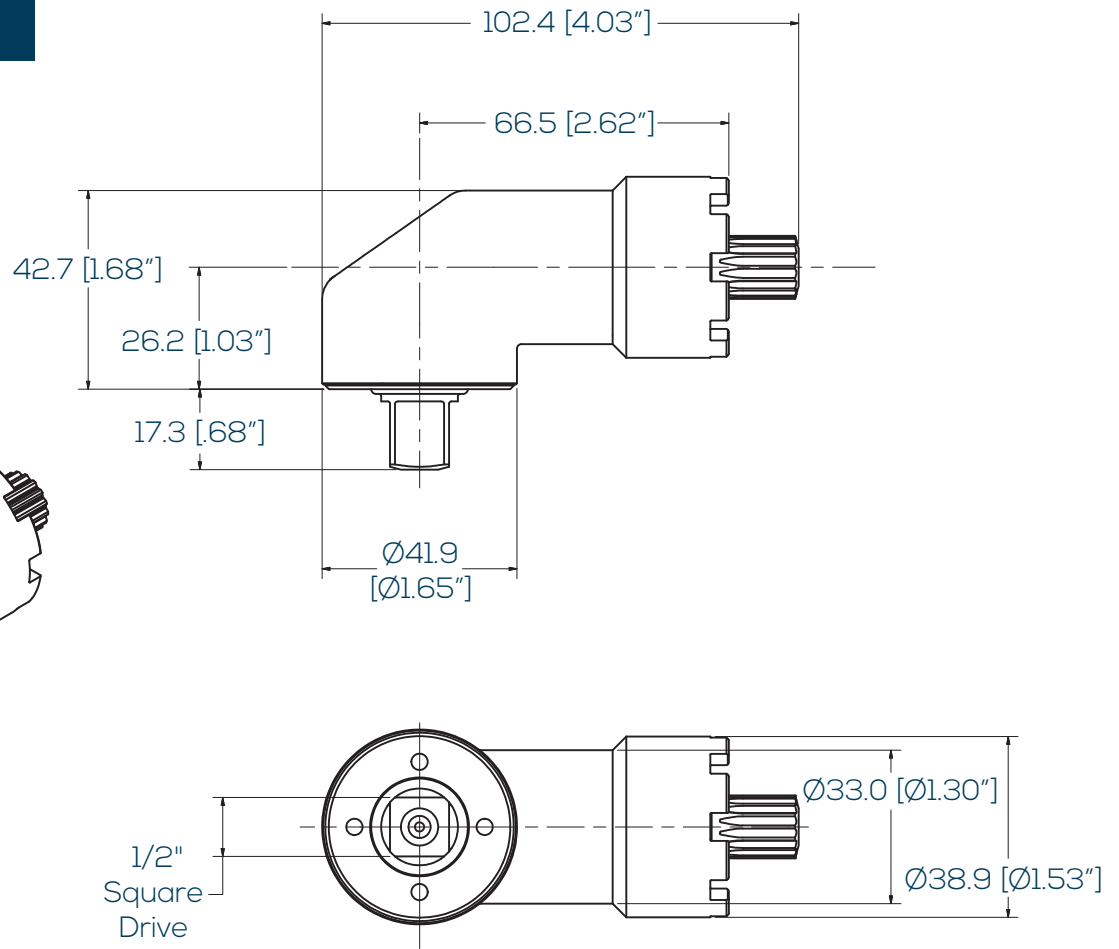
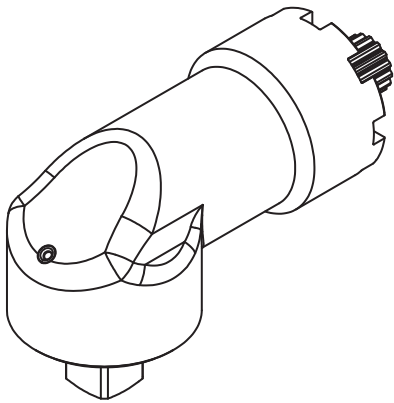


Specifications

Ordering Number	A1100005
Square Drive	3/8"
Ratio	1.625:1
Efficiency	.95
Max Torque Output	35 Nm 25.8 ft-lbs
Adapter Series	EX3 Interface

AH90-55-500-EX4 90° Angle Head

**Max Torque:
55 Nm / 40.5 ft-lbs**

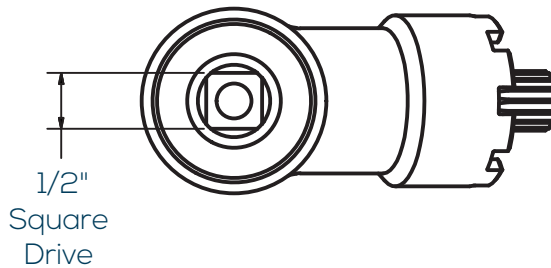
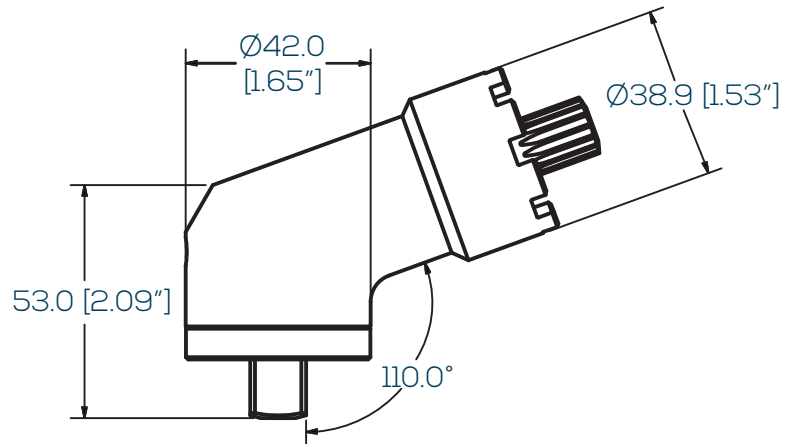
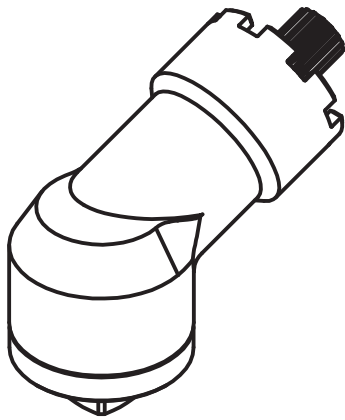


Specifications

Ordering Number	A1100017
Ratio	1.470:1
Efficiency	.95
Max Torque Output	55 Nm 40.5 ft-lbs
Adapter Series	EX4 Interface

AH110-55-500-EX4 110° Angle Head

**Max Torque:
55 Nm / 40.5 ft-lbs**

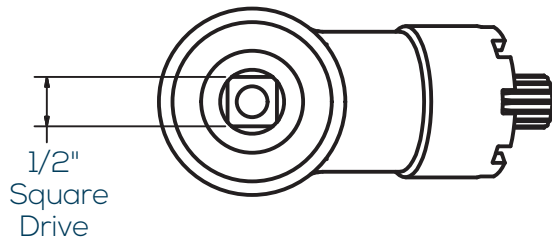
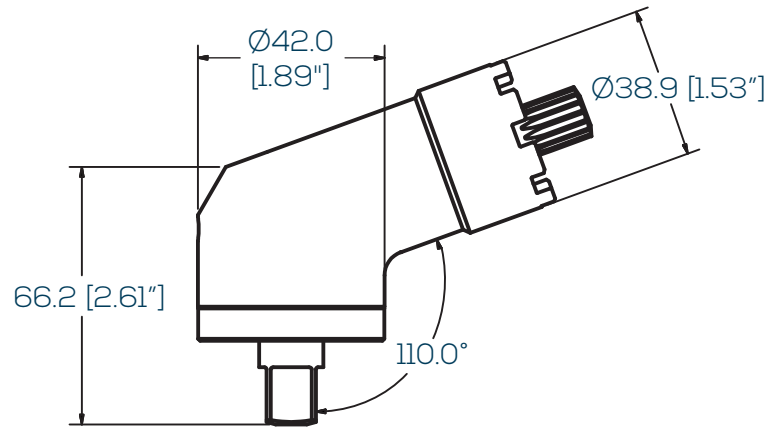
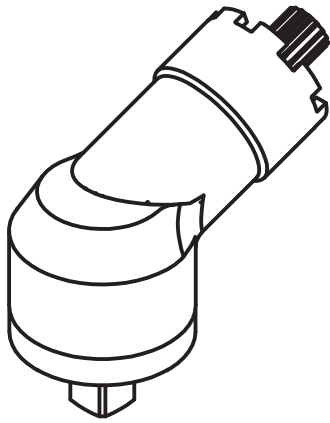


Specifications

Ordering Number	A1100006
Ratio	1.476:1
Efficiency	.95
Max Torque Output	55 Nm 40.5 ft-lbs
Adapter Series	EX4 Interface

AH110-85-500-EX4 110° Angle Head

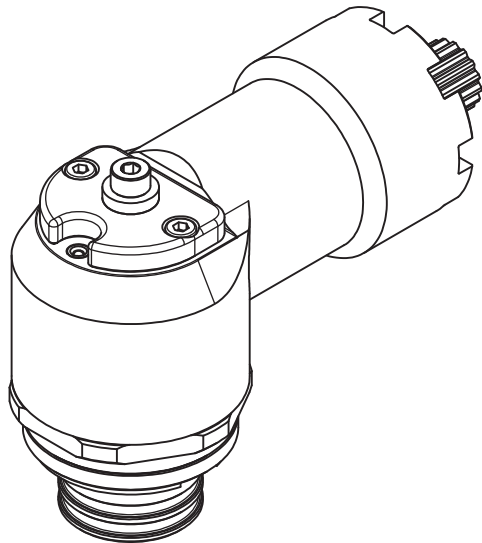
**Max Torque:
85 Nm / 62.6 ft-lbs**



Specifications

Ordering Number	A1100004
Square Drive	1/2"
Ratio	1.63:1
Efficiency	.95
Max Torque Output	85 Nm 62.6 ft-lbs
Adapter Series	EX4 Interface

Hold and Drive Angle Heads



Features & Benefits

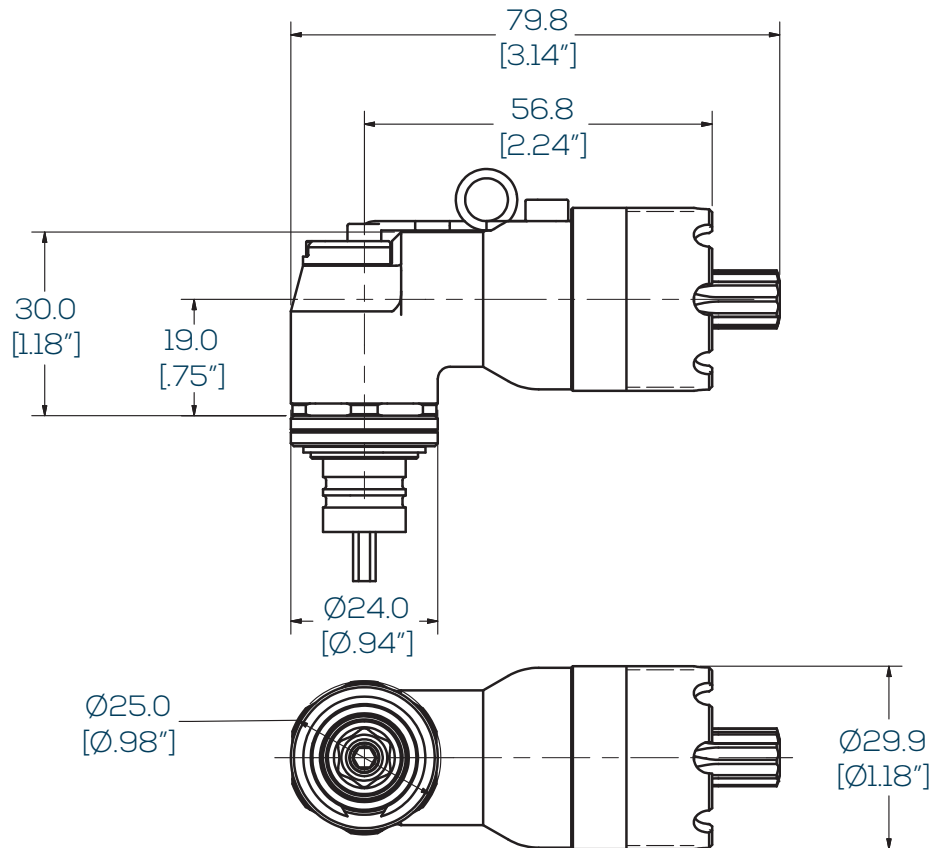
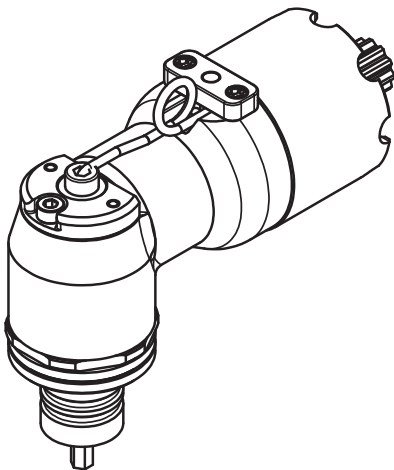
- Customizing Options - Large selection of drive and hold key sizes available.
- Size - Wide range of angle head sizes available to best fit various applications.
- Optimized Materials and Heat Treatment - Provides high durability.
- Bearing Construction - Roller and ball bearing design.
- Modular Adapter System - Provides common interfaces between multiple product groups
- Gearing - Spiral cut.
- Accuracy +/- 3%

Maintenance & Service

- Traceability - Model number and serial number engraved on each attachment.
- Lubrication - External grease fittings allows for preventative maintenance.
- Parts List - Allows for ease of ordering spare/replacement parts; Supplied with all attachments

AH90-12-HAD-EX3 90° Angle Head

**Max Torque:
12 Nm / 8.9 ft-lbs**

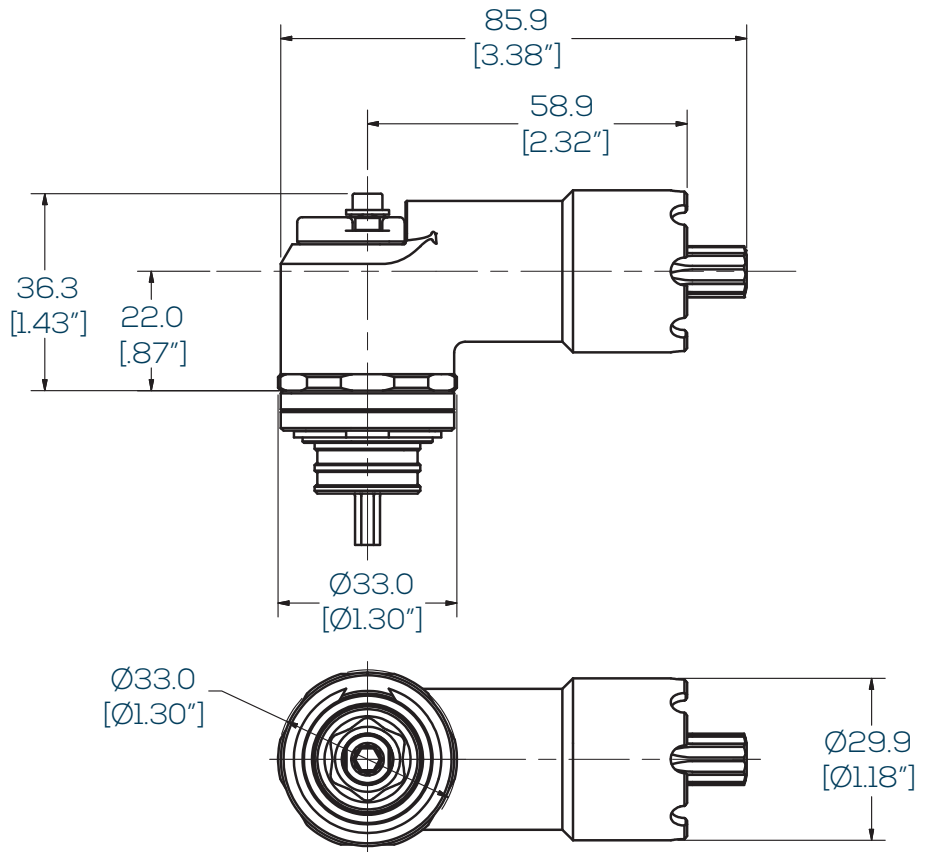
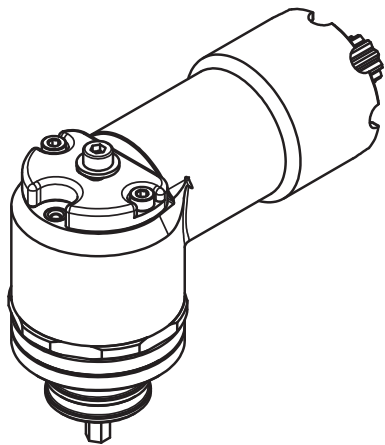


Specifications

Ordering Number	A1100010
Total Gear Ratio	1.25:1
Efficiency	.95
Max Torque Output	12 Nm 8.9 ft-lbs
Hold Option Travel	10mm
Max Drive Size	3/8"

AH90-25-HAD-EX3 90° Angle Head

**Max Torque:
25 Nm / 18.4ft-lbs**

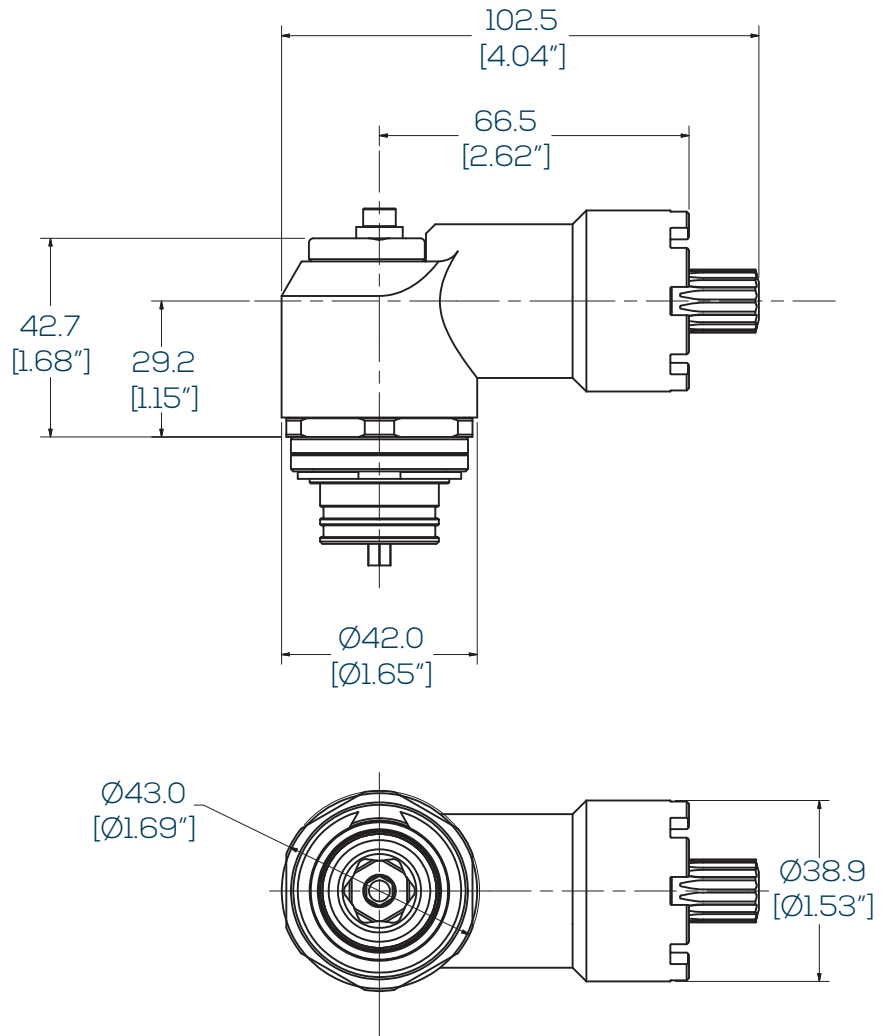
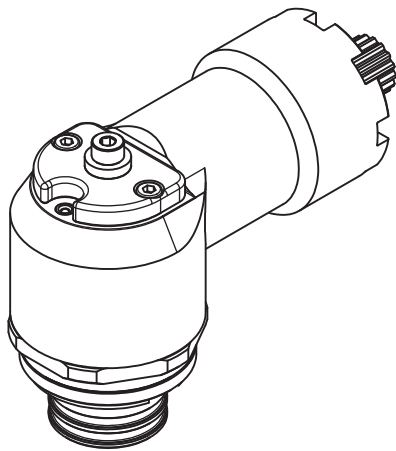


Specifications

Ordering Number	A1100011
Total Gear Ratio	1.4375:1
Efficiency	.95
Max Torque Output	25 Nm 18.4 ft-lbs
Hold Option Travel	14mm
Max Drive Size	1/2"

AH90-55-HAD-EX4 90° Angle Head

**Max Torque:
55 Nm / 40.6 ft-lbs**

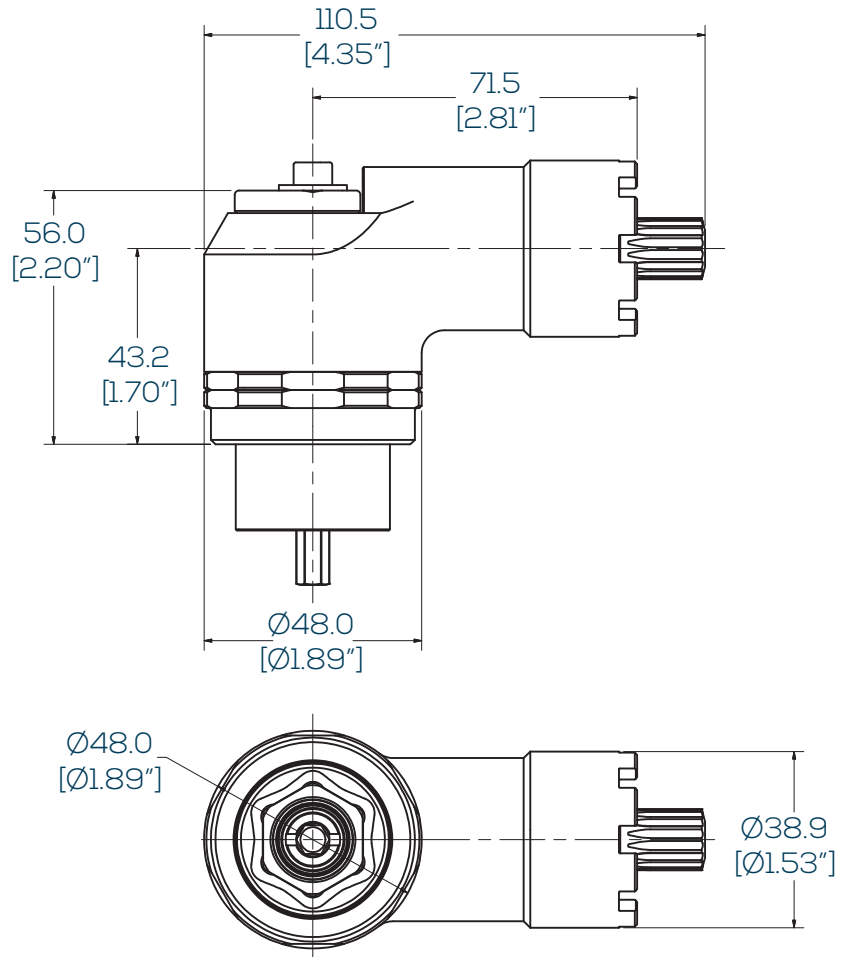
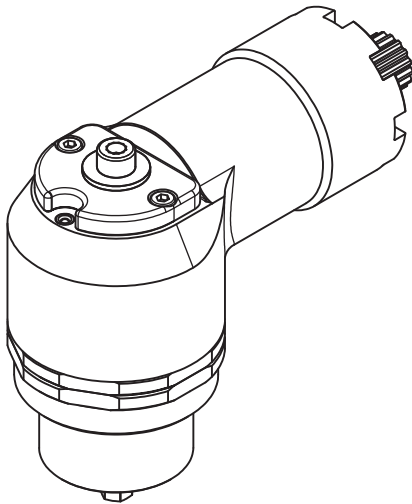


Specifications

Ordering Number	A1100012
Total Gear Ratio	1.470:1
Efficiency	.95
Max Torque Output	50 Nm 40.6 ft-lbs
Hold Option Travel	15mm
Max Drive Size	11/16"

AH90-85-HAD-EX4 90° Angle Head

**Max Torque:
85 Nm / 62.7 ft-lbs**

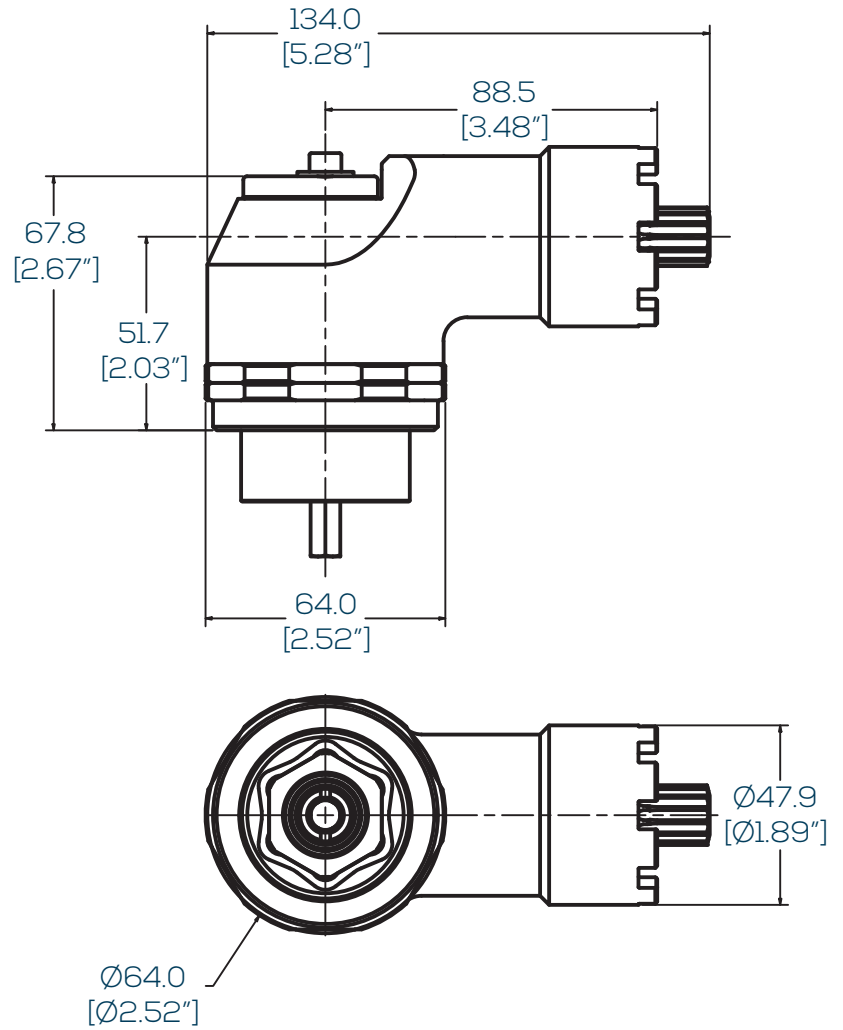
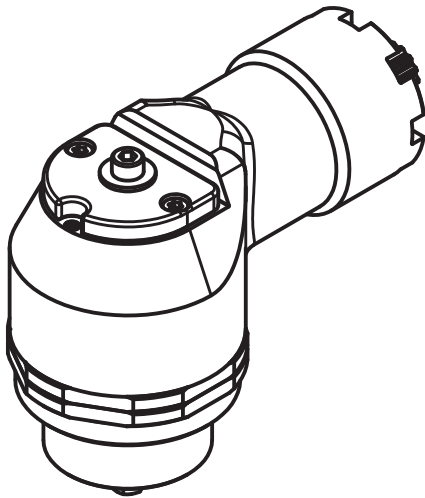


Specifications

Ordering Number	A1100013
Total Gear Ratio	1.61:1
Efficiency	.95
Max Torque Output	85 Nm 62.7 ft-lbs
Hold Option Travel	16mm
Max Drive Size	1"

AH90-150-HAD-EX5 90° Angle Head

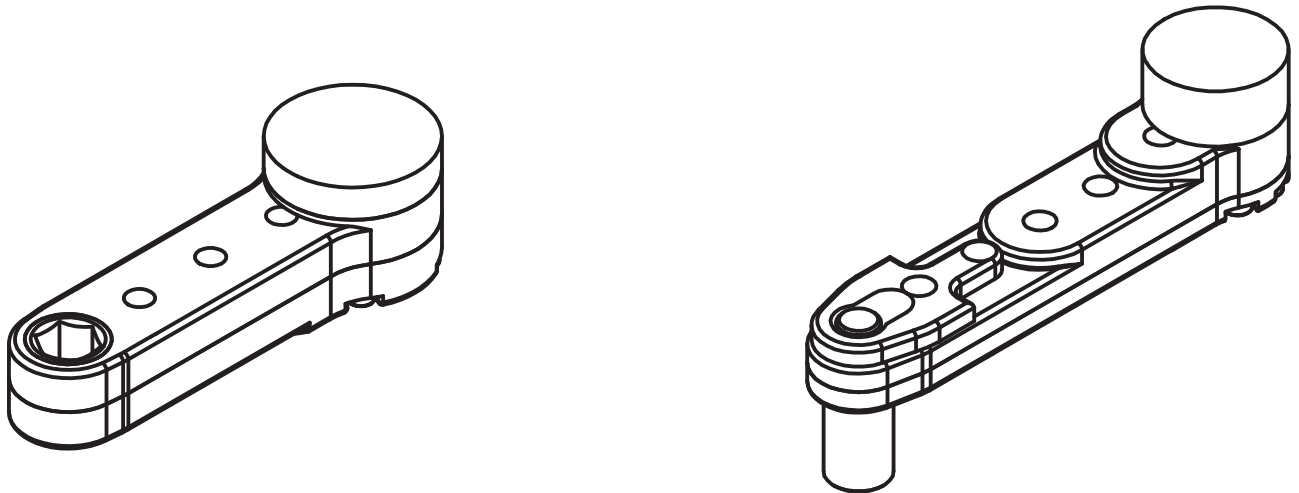
**Max Torque:
150Nm / 111 ft-lbs**



Specifications

Ordering Number	A1100016
Total Gear Ratio	1.632:1
Efficiency	.95
Max Torque Output	150Nm 111 ft-lbs
Hold Option Travel	19mm
Max Drive Size	1-15/16"

Fastening Crowfoot Attachments



Features & Benefits

- Split Housing Design - Allows for strong "I Beam" type construction to minimize deflection under load.
- Optimized Materials and Heat Treatment - Provides high durability.
- Bearing Construction - Needle bearing support for input and idler gears.
- Stepped and Threaded Axles - Allows for mounting of multiple accessories, positive containment of gear axles eliminate axle movement.
- Modular Adapter System - Provides common interfaces between multiple product groups.
- Attachment Orientation - Provides for multiple orientations on power tool output drives.
- Output Drives - Multiple socket profiles available.
- Hold -N- Drive outputs available
- Accuracy +/- 10%

Maintenance & Service

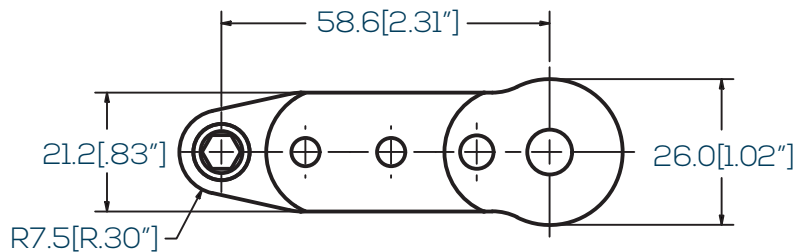
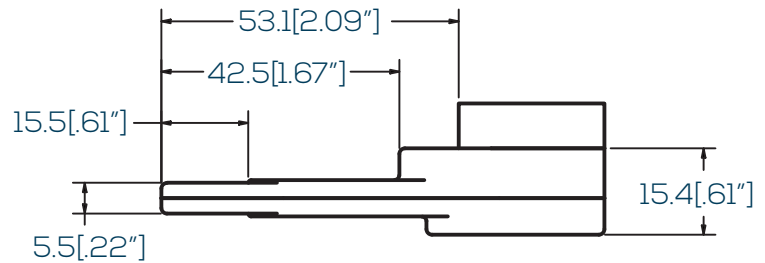
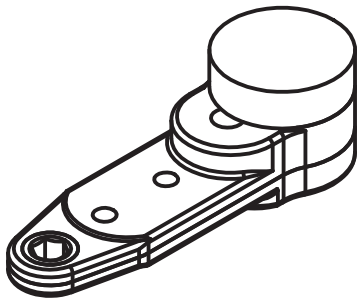
- Traceability - Model number and serial number engraved on each attachment.
- Torx Head Cap Screws - Allows for more positive engagement than traditional fasteners.
- Lubrication - External grease fittings allows for preventative maintenance.
- Parts List - Allows for ease of ordering spare/replacement parts; Supplied with all attachments.

CET4-04-07-E32

Crowfoot Head

Torque Control

**Max Torque:
4 Nm / 2.9 ft-lbs**



Specifications

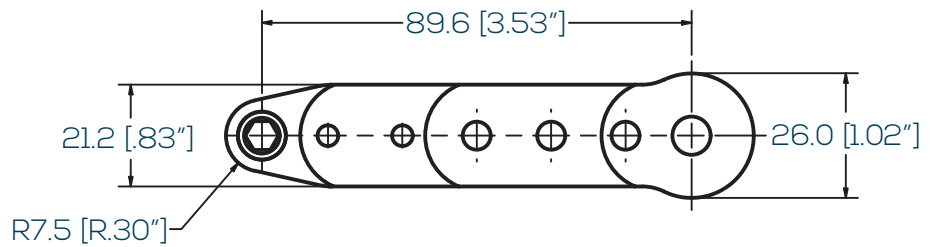
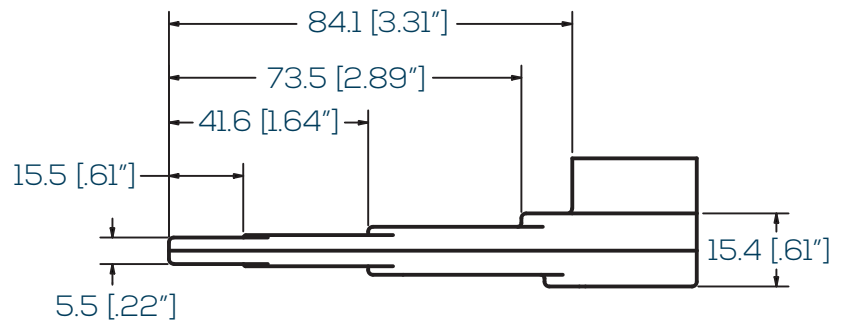
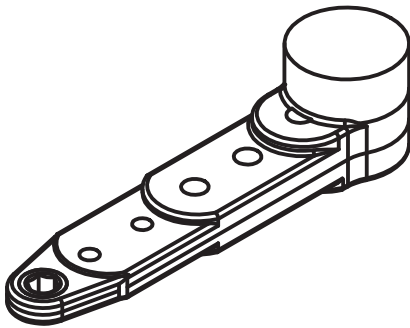
Ordering Number	A1200040
Max Hex Size	7mm 1/4"
Ratio	1:1
Efficiency	.70
Max Torque Output	4 Nm 2.9 ft-lbs
Adapter Series	E32 Interface
Input Drive	1/4" Square Drive

CET6-04-07-E32

Crowfoot Head

Torque Control

Max Torque:
4 Nm / 2.9 ft-lbs



Specifications

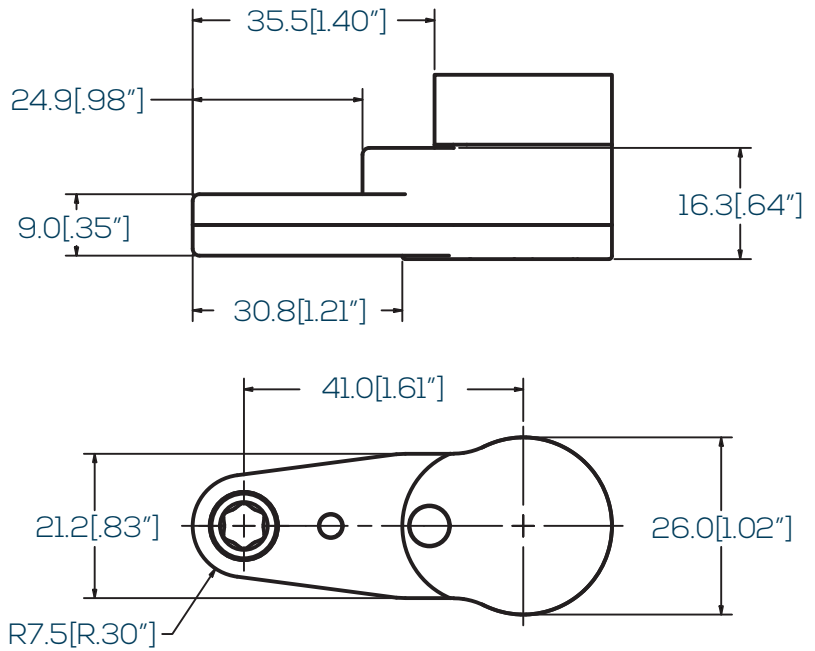
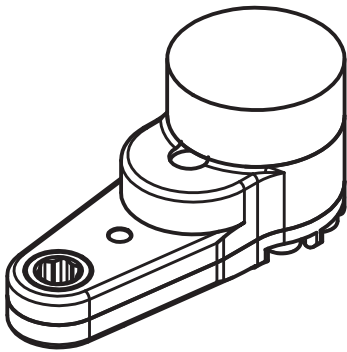
Ordering Number	A1200043
Max Hex Size	7mm 1/4"
Ratio	1:1
Efficiency	.60
Max Torque Output	4 Nm 2.9 ft-lbs
Adapter Series	E32 Interface
Input Drive	1/4" Square Drive

CET3-05-07-E32

Crowfoot Head

Torque Control

**Max Torque:
5 Nm / 3.6 ft-lbs**



Specifications

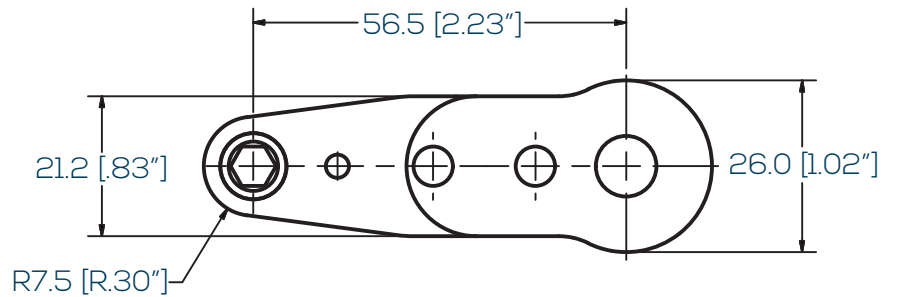
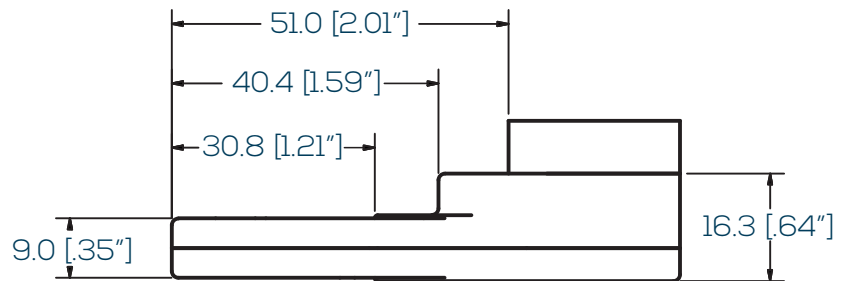
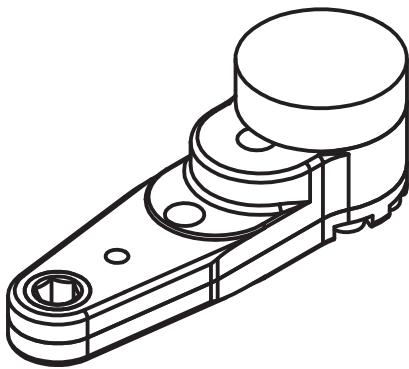
Ordering Number	A1200091
Max Hex Size	7mm 1/4"
Ratio	1:1
Efficiency	.75
Max Torque Output	5 Nm 3.6 ft-lbs
Adapter Series	E32 Interface
Input Drive	1/4" Square Drive

CET4-05-07-E32

Crowfoot Head

Torque Control

**Max Torque:
5 Nm / 3.6 ft-lbs**



Specifications

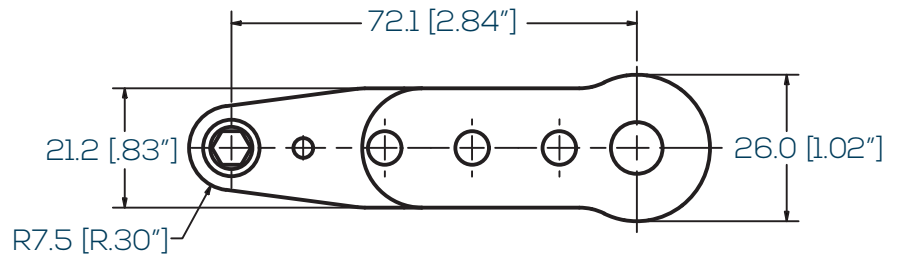
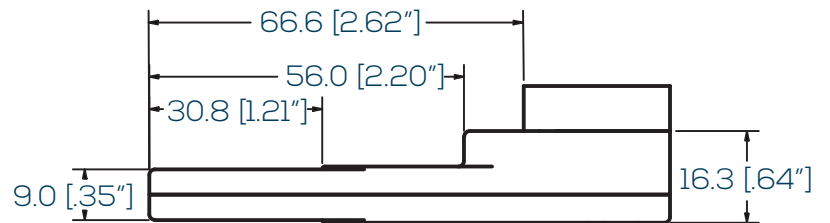
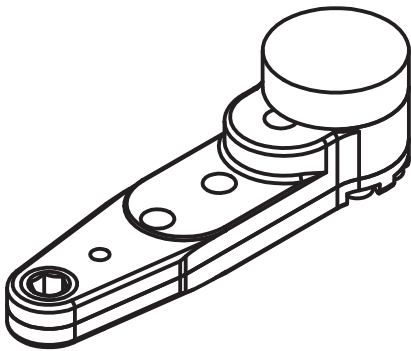
Ordering Number	A1200018
Max Hex Size	7mm 1/4"
Ratio	1:1
Efficiency	.70
Max Torque Output	5 Nm 3.6 ft-lbs
Adapter Series	E32 Interface
Input Drive	1/4" Square Drive

CET5-05-07-E32

Crowfoot Head

Torque Control

**Max Torque:
5 Nm / 3.6 ft-lbs**



Specifications

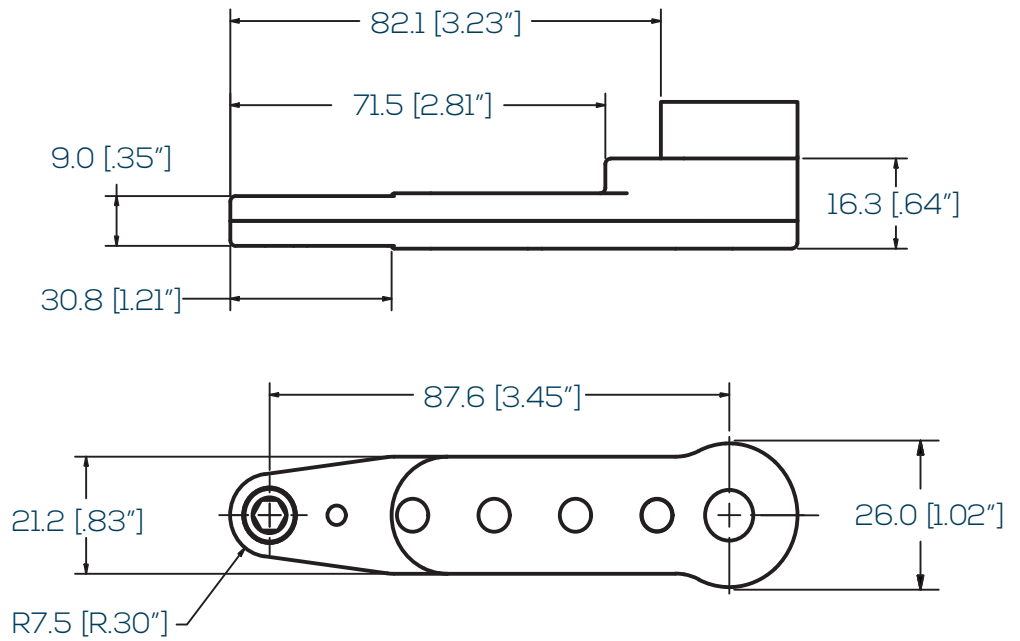
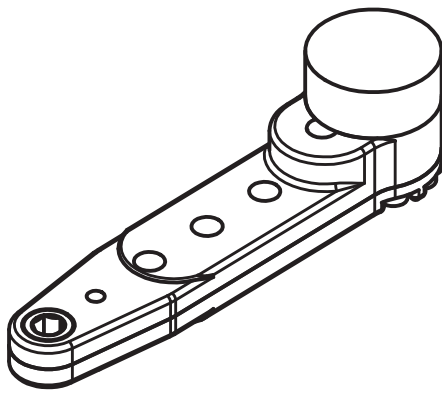
Ordering Number	A1200047
Max Hex Size	7mm 1/4"
Ratio	1:1
Efficiency	.65
Max Torque Output	5 Nm 3.6 ft-lbs
Adapter Series	E32 Interface
Input Drive	1/4" Square Drive

CET6-05-07-E32

Crowfoot Head

Torque Control

**Max Torque:
5 Nm / 3.6 ft-lbs**



Specifications

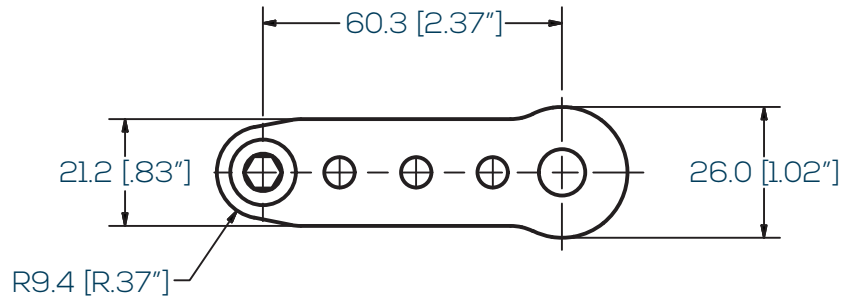
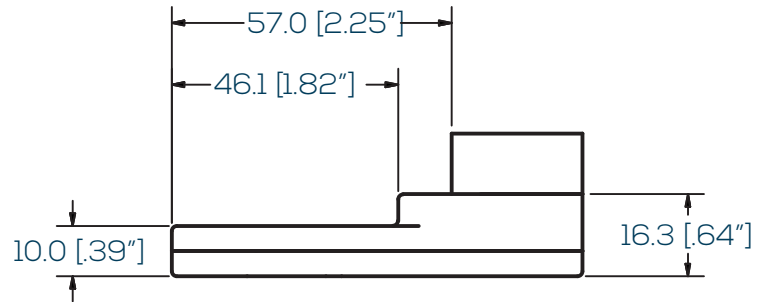
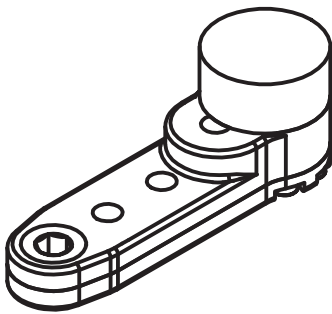
Ordering Number	A1200081
Max Hex Size	7mm 1/4"
Ratio	1:1
Efficiency	.60
Max Torque Output	5 Nm 3.6 ft-lbs
Adapter Series	E32 Interface
Input Drive	1/4" Square Drive

CET4-08-09-E32

Crowfoot Head

Torque Control

**Max Torque:
8 Nm / 5.9 ft-lbs**



Specifications

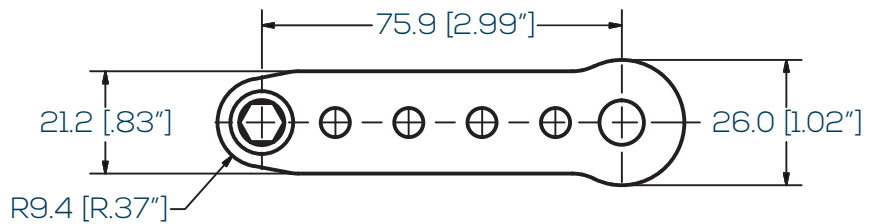
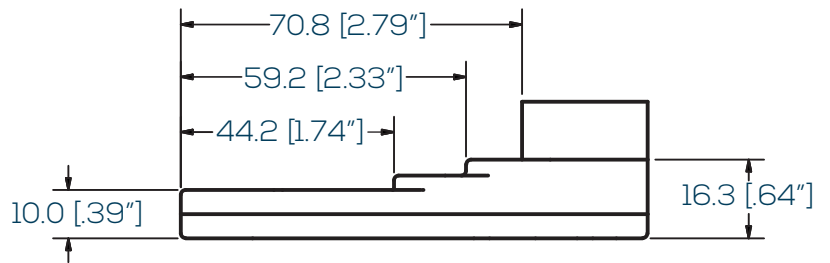
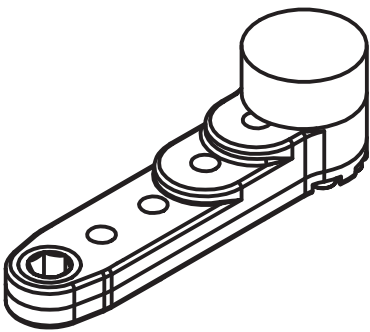
Ordering Number	A1200009
Max Hex Size	9mm 11/32"
Ratio	1.2941:1
Efficiency	.70
Max Torque Output	8 Nm 5.9 ft-lbs
Adapter Series	E32 Interface
Input Drive	1/4" Square Drive

CET5-08-09-E32

Crowfoot Head

Torque Control

**Max Torque:
8 Nm / 5.9 ft-lbs**



Specifications

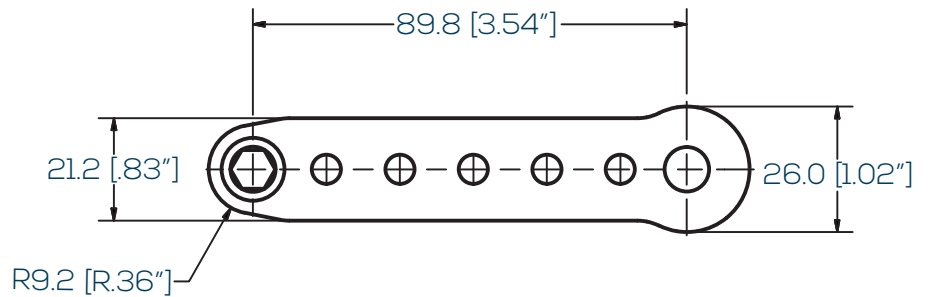
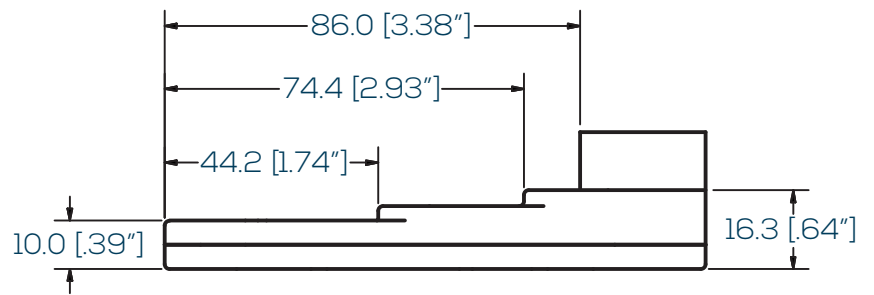
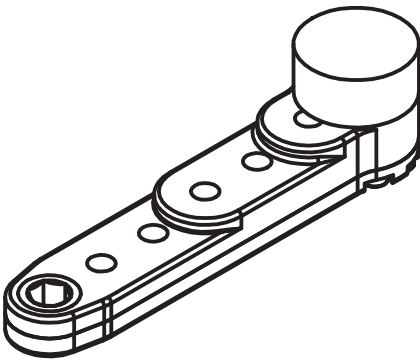
Ordering Number	A1200029
Max Hex Size	9mm 11/32"
Ratio	1.2941:1
Efficiency	.65
Max Torque Output	8 Nm 5.9 ft-lbs
Adapter Series	E32 Interface
Input Drive	1/4" Square Drive

CET6-08-09-E32

Crowfoot Head

Torque Control

**Max Torque:
8 Nm / 5.9 ft-lbs**



Specifications

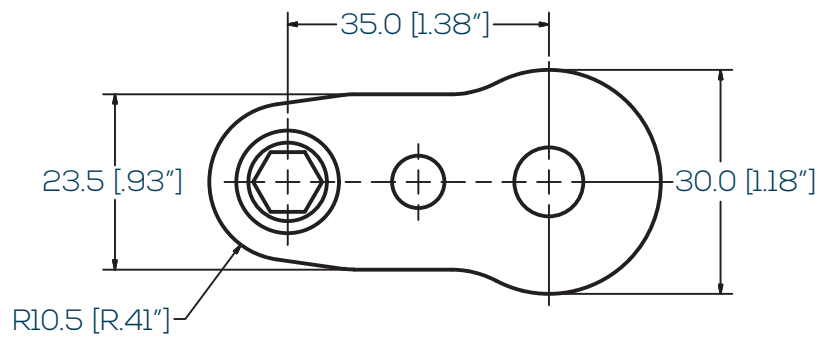
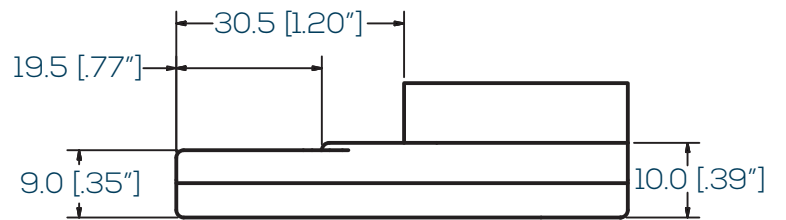
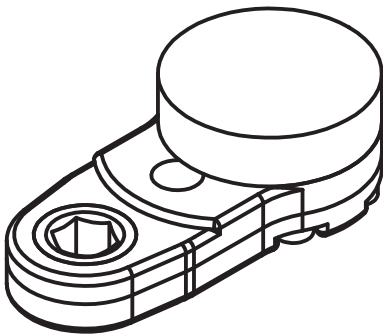
Ordering Number	A1200011
Max Hex Size	9mm 11/32"
Ratio	1.2941:1
Efficiency	.60
Max Torque Output	8 Nm 5.9 ft-lbs
Adapter Series	E32 Interface
Input Drive	1/4" Square Drive

CET2-12-10-E42

Crowfoot Head

Torque Control

**Max Torque:
12 Nm / 8.8 ft-lbs**



Specifications

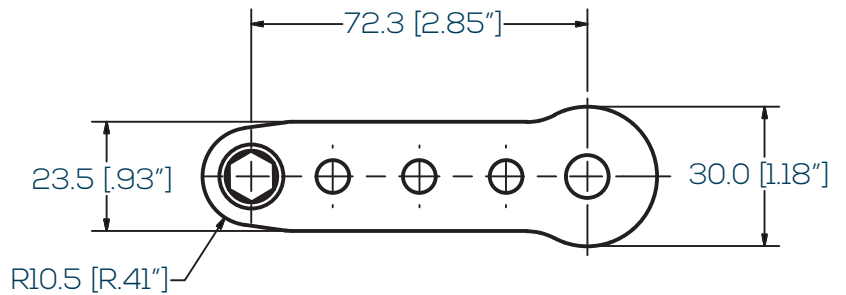
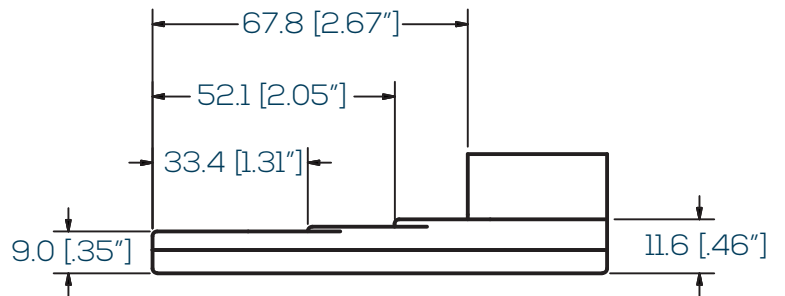
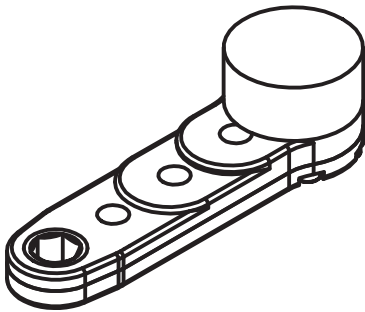
Ordering Number	A1200030
Max Hex Size	10mm 3/8"
Ratio	1:1
Efficiency	.80
Max Torque Output	12 Nm 8.8 ft-lbs
Adapter Series	E42 Interface
Input Drive	3/8" Square Drive

CET4-12-10-E42

Crowfoot Head

Torque Control

**Max Torque:
12 Nm / 8.8 ft-lbs**



Specifications

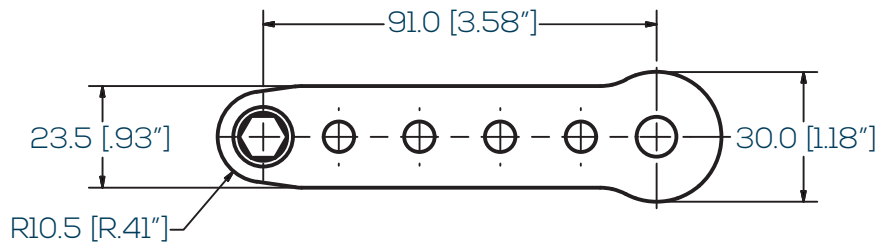
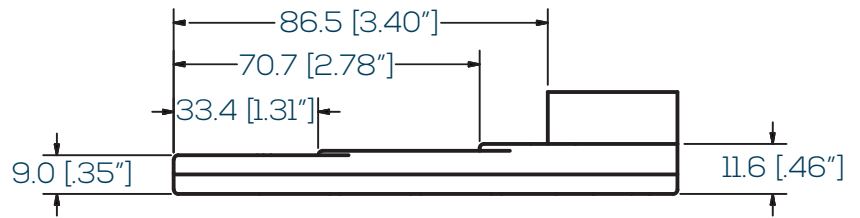
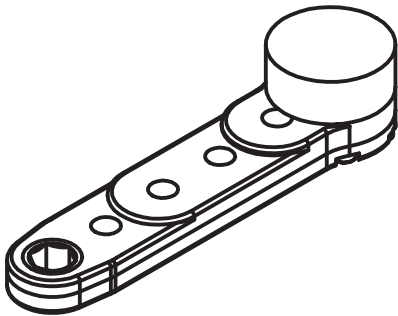
Ordering Number	A1200010
Max Hex Size	10mm 3/8"
Ratio	1:1
Efficiency	.70
Max Torque Output	12 Nm 8.8 ft-lbs
Adapter Series	E42 Interface
Input Drive	3/8" Square Drive

CET5-12-10-E42

Crowfoot Head

Torque Control

**Max Torque:
12 Nm / 8.8 ft-lbs**



Specifications

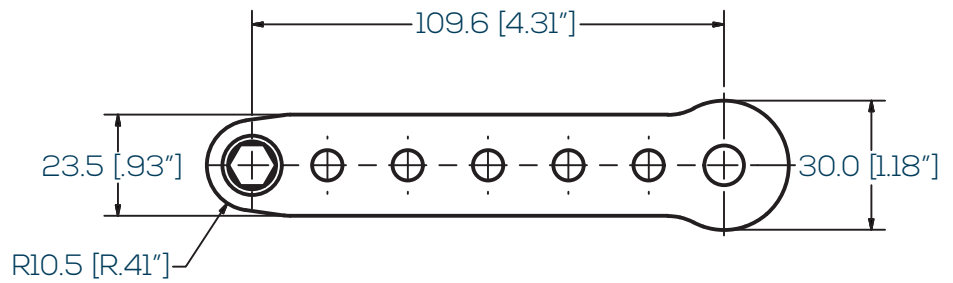
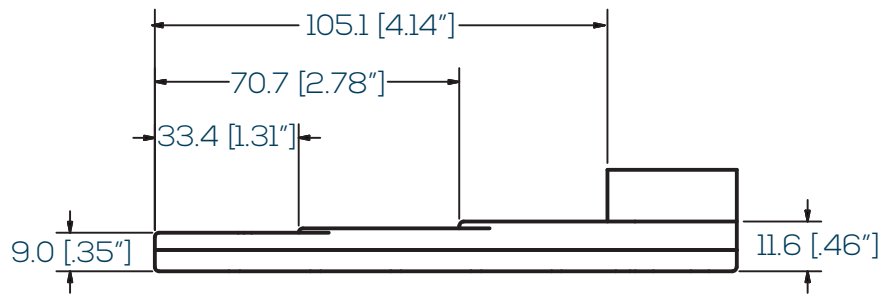
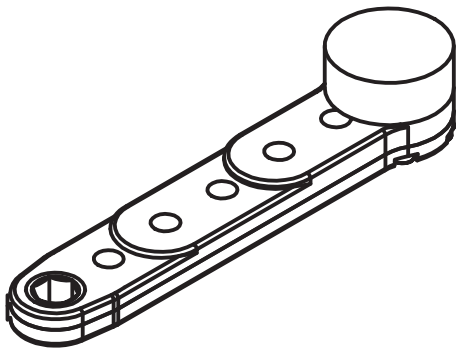
Ordering Number	A1200083
Max Hex Size	10mm 3/8"
Ratio	1:1
Efficiency	.65
Max Torque Output	12 Nm 8.8 ft-lbs
Adapter Series	E42 Interface
Input Drive	3/8" Square Drive

CET6-12-10-E42

Crowfoot Head

Torque Control

**Max Torque:
12 Nm / 8.8 ft-lbs**



Specifications

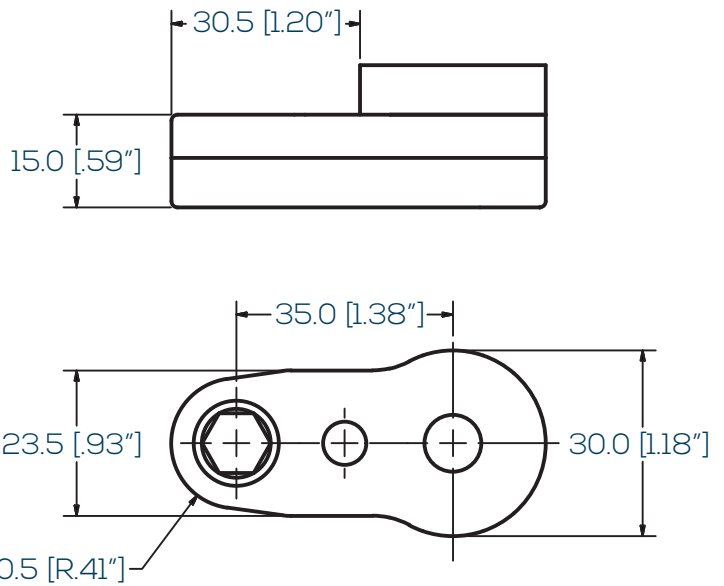
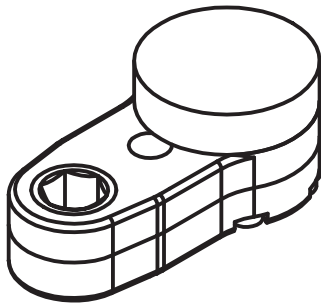
Ordering Number	A1200012
Max Hex Size	10mm 3/8"
Ratio	1:1
Efficiency	.60
Max Torque Output	12 Nm 8.8 ft-lbs
Adapter Series	E42 Interface
Input Drive	3/8" Square Drive

CET2-18-10-E42

Crowfoot Head

Torque Control

Max Torque:
18 Nm / 13.2 ft-lbs



Specifications

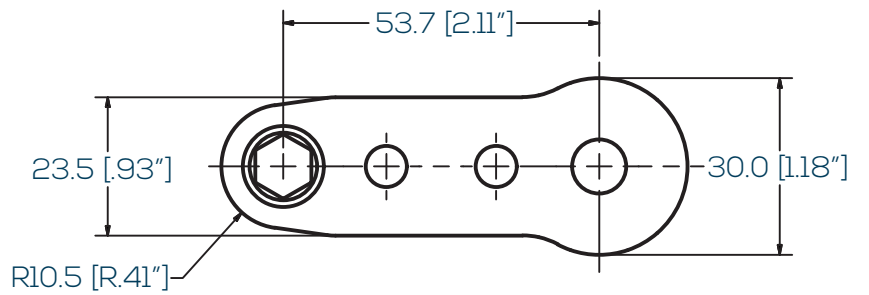
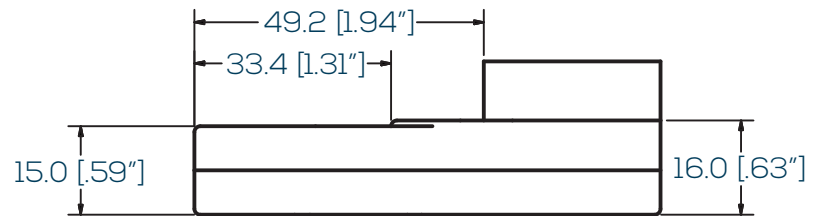
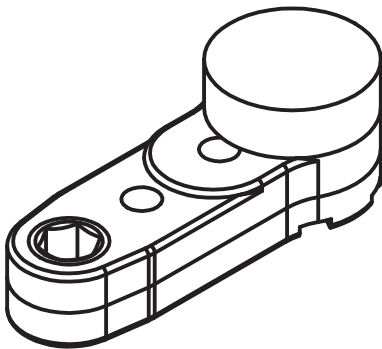
Ordering Number	A1200048
Max Hex Size	10mm 3/8"
Ratio	1:1
Efficiency	.80
Max Torque Output	18 Nm 13.2 ft-lbs
Adapter Series	E42 Interface
Input Drive	3/8" Square Drive

CET3-18-10-E42

Crowfoot Head

Torque Control

**Max Torque:
18 Nm / 13.2 ft-lbs**



Specifications

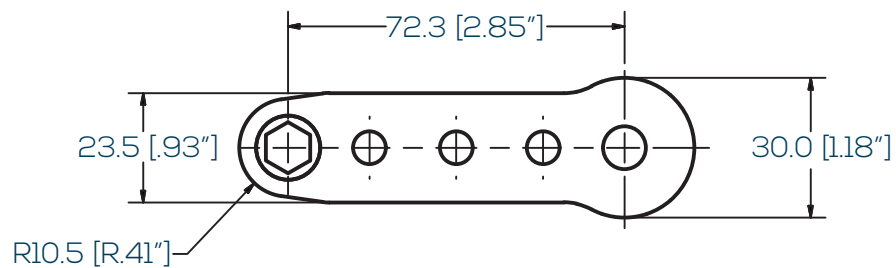
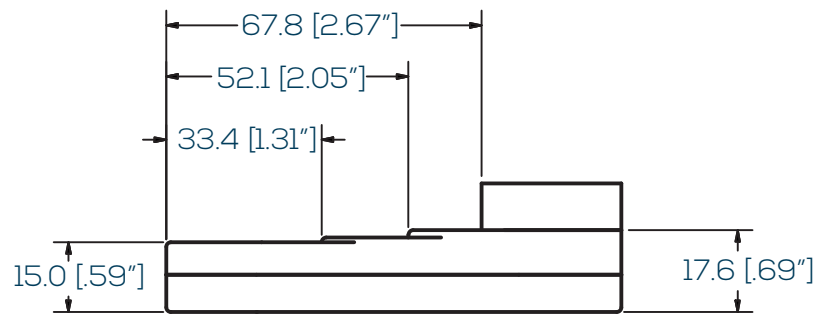
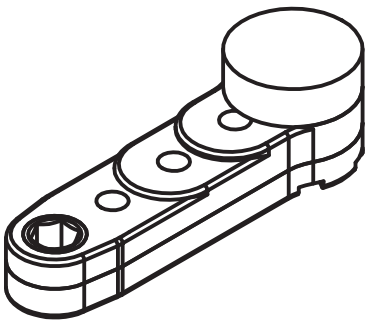
Ordering Number	A1200021
Max Hex Size	10mm 3/8"
Ratio	1:1
Efficiency	.75
Max Torque Output	18 Nm 13.2 ft-lbs
Adapter Series	E42 Interface
Input Drive	3/8" Square Drive

CET4-18-10-E42

Crowfoot Head

Torque Control

**Max Torque:
18 Nm / 13.2 ft-lbs**



Specifications

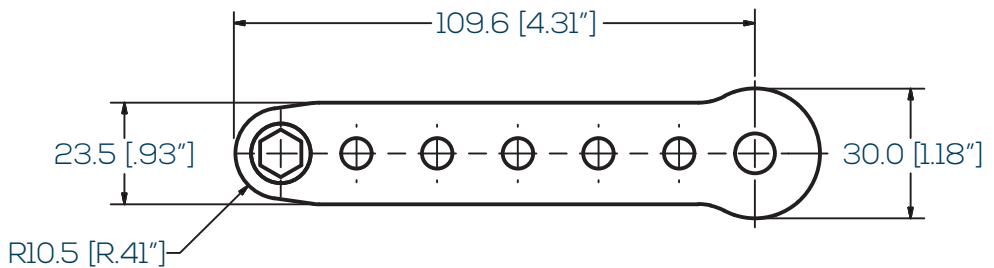
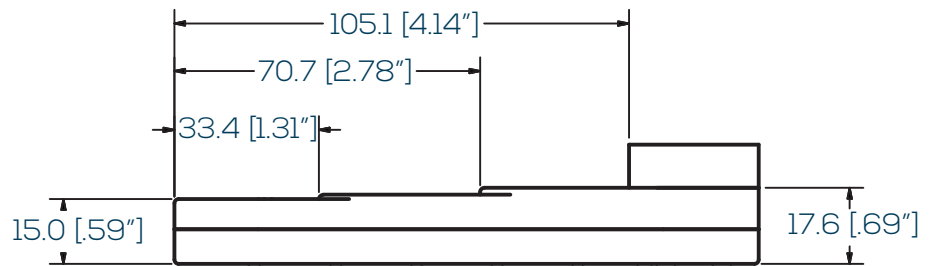
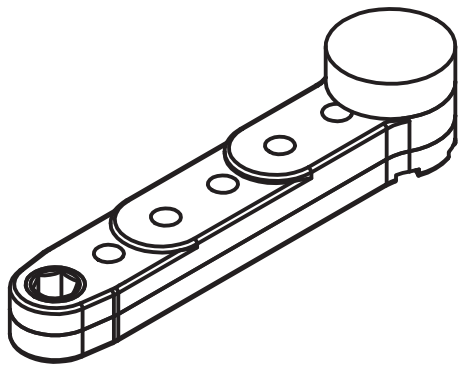
Ordering Number	A1200013
Max Hex Size	10mm 3/8"
Ratio	1:1
Efficiency	.70
Max Torque Output	18 Nm 13.2 ft-lbs
Adapter Series	E42 Interface
Input Drive	3/8" Square Drive

CET6-18-10-E42

Crowfoot Head

Torque Control

Max Torque:
18 Nm / 13.2 ft-lbs



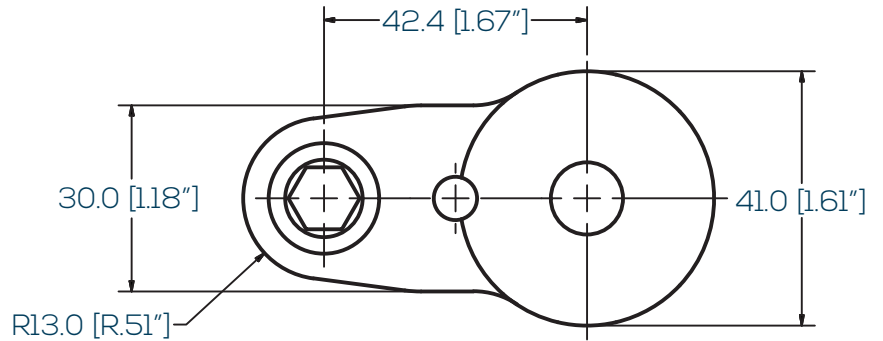
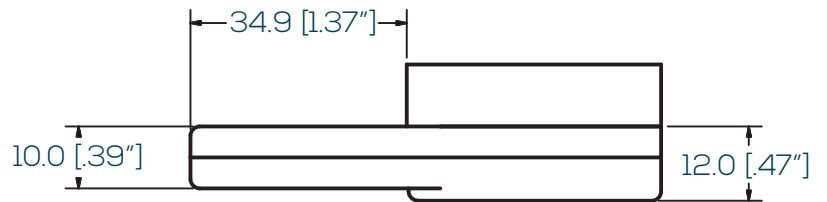
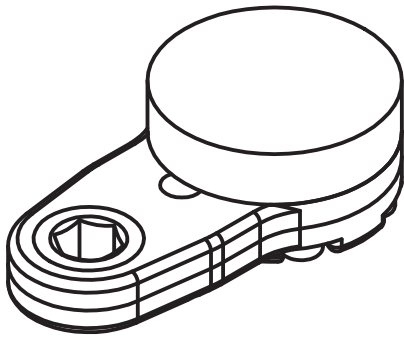
Specifications

Ordering Number	A1200016
Max Hex Size	10mm 3/8"
Ratio	1:1
Efficiency	.60
Max Torque Output	18 Nm 13.2 ft-lbs
Adapter Series	E42 Interface
Input Drive	3/8" Square Drive

CET2-20-13-E54

Crowfoot Head Torque Control

**Max Torque:
20 Nm / 14.7 ft-lbs**



Specifications

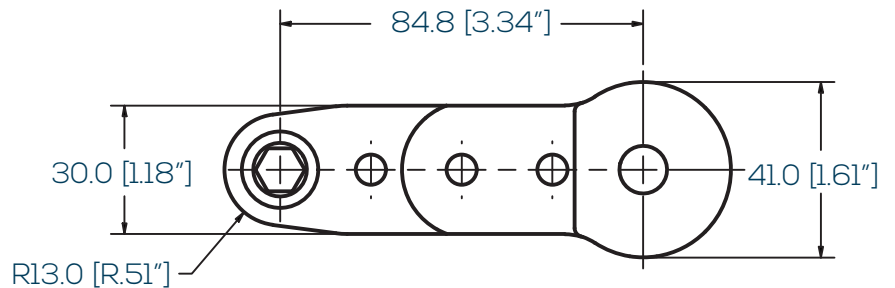
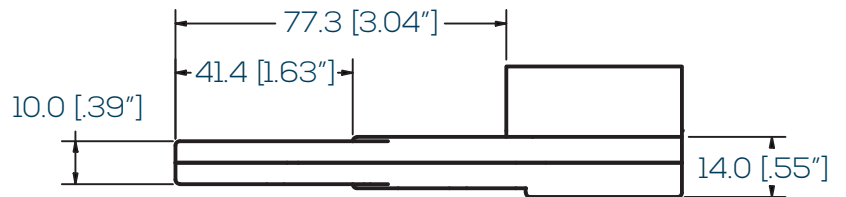
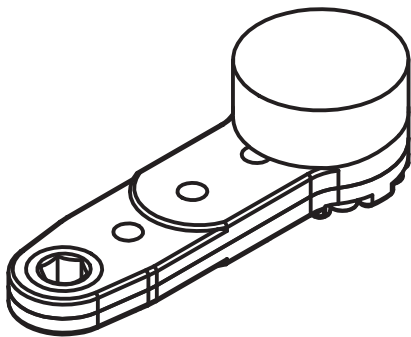
Ordering Number	A1200076
Max Hex Size	13mm 1/2"
Ratio	1:1
Efficiency	.80
Max Torque Output	20 Nm 14.7 ft-lbs
Adapter Series	E54 Interface
Input Drive	1/2" Square Drive

CET4-20-13-E54

Crowfoot Head

Torque Control

Max Torque:
20 Nm / 14.7 ft-lbs



Specifications

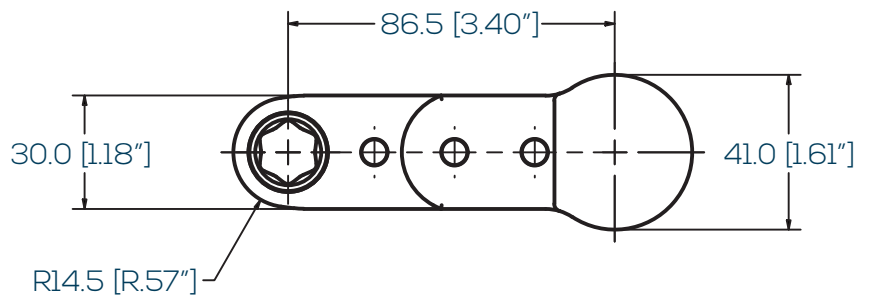
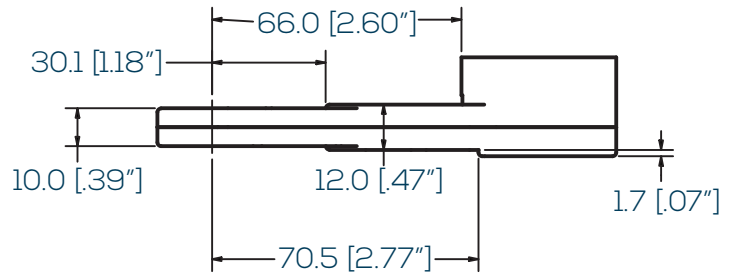
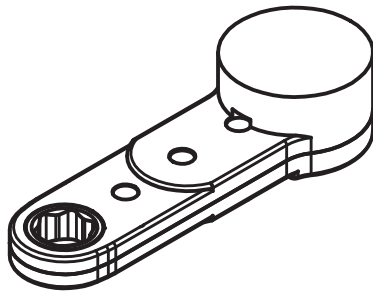
Ordering Number	A1200045
Max Hex Size	13mm 1/2"
Ratio	1:1
Efficiency	.70
Max Torque Output	20 Nm 14.7 ft-lbs
Adapter Series	E54 Interface
Input Drive	1/2" Square Drive

CET4-25-14-E54

Crowfoot Head

Torque Control

**Max Torque:
25 Nm / 18.4 ft-lbs**



Specifications

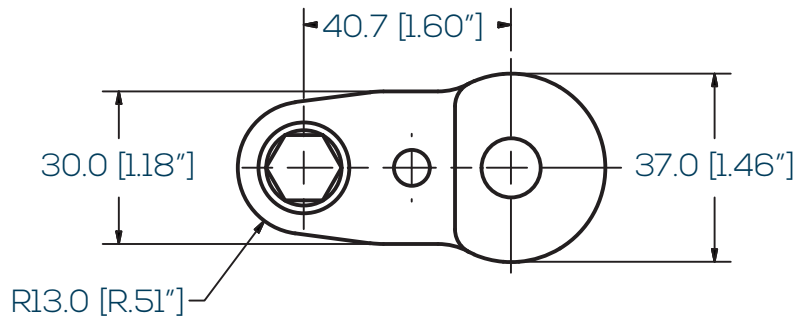
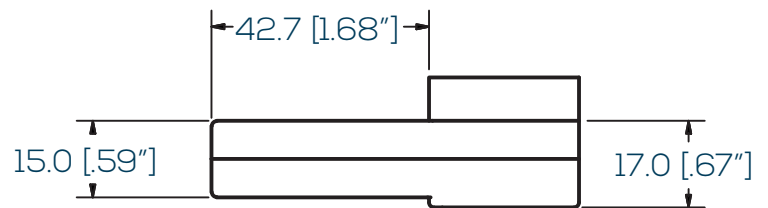
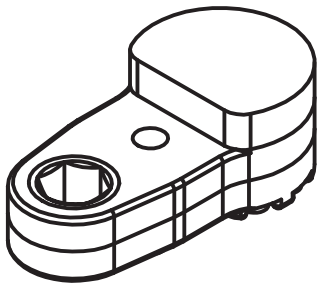
Ordering Number	A1200071
Max Hex Size	14mm 9/16"
Ratio	1.167:1
Efficiency	.70
Max Torque Output	25 Nm 18.4 ft-lbs
Adapter Series	E54 Interface
Input Drive	1/2" Square Drive

CET2-30-13-E47

Crowfoot Head

Torque Control

**Max Torque:
30 Nm / 22.1 ft-lbs**



Specifications

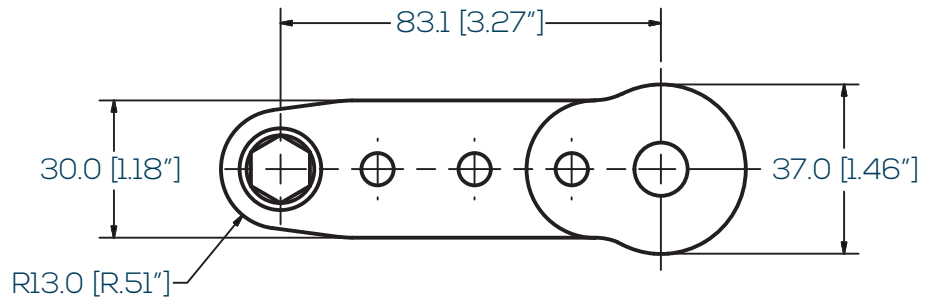
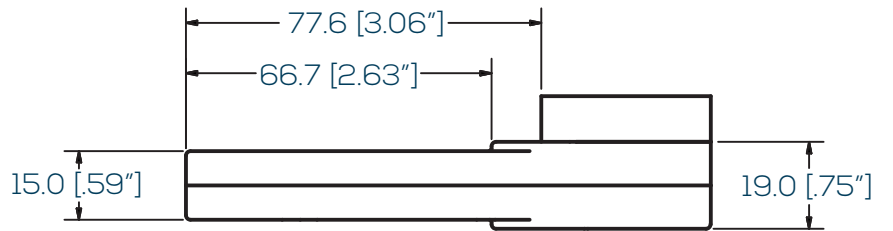
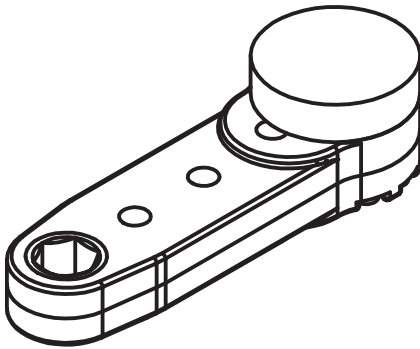
Ordering Number	A1200028
Max Hex Size	13mm 1/2"
Ratio	1.2:1
Efficiency	.80
Max Torque Output	30 Nm 22.1 ft-lbs
Adapter Series	E47 Interface
Input Drive	3/8" Square Drive

CET4-30-13-E47

Crowfoot Head

Torque Control

**Max Torque:
30 Nm / 22.1 ft-lbs**



Specifications

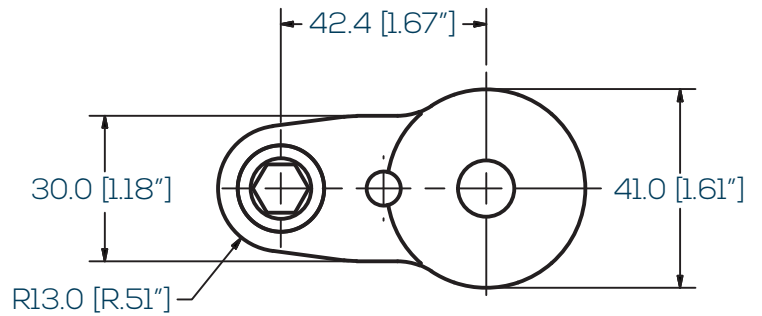
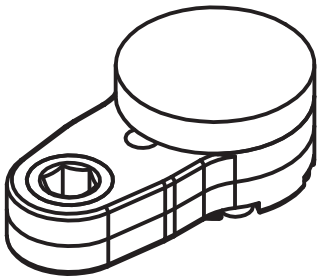
Ordering Number	A1200052
Max Hex Size	13mm 1/2"
Ratio	1.2:1
Efficiency	.70
Max Torque Output	30 Nm 22.1 ft-lbs
Adapter Series	E47 Interface
Input Drive	3/8" Square Drive

CET2-30-13-E54

Crowfoot Head

Torque Control

**Max Torque:
30 Nm / 22.1 ft-lbs**



Specifications

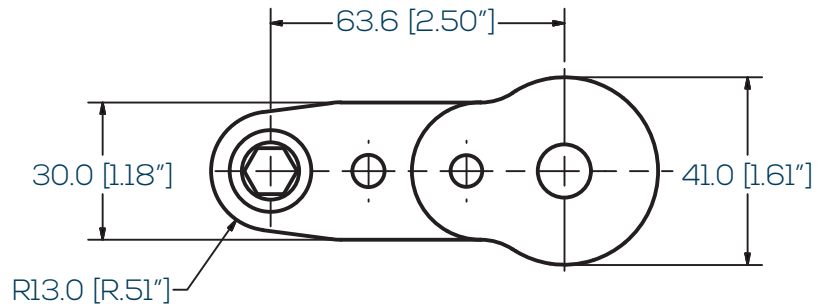
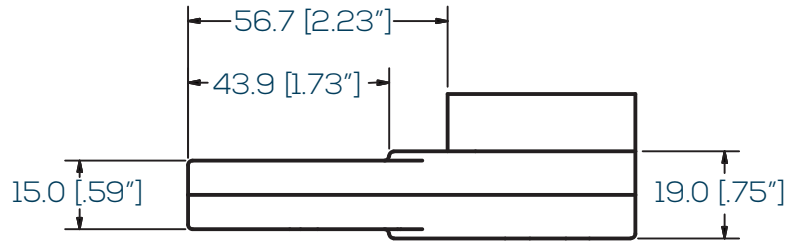
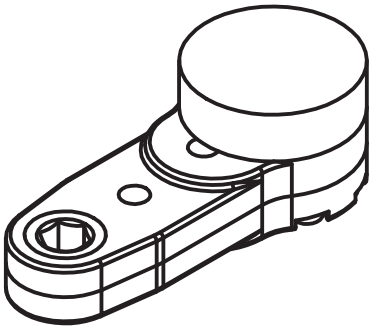
Ordering Number	A1200075
Max Hex Size	13mm 1/2"
Ratio	1:1
Efficiency	.80
Max Torque Output	30 Nm 22.1 ft-lbs
Adapter Series	E54 Interface
Input Drive	1/2" Square Drive

CET3-30-13-E54

Crowfoot Head

Torque Control

**Max Torque:
30 Nm / 22.1 ft-lbs**



Specifications

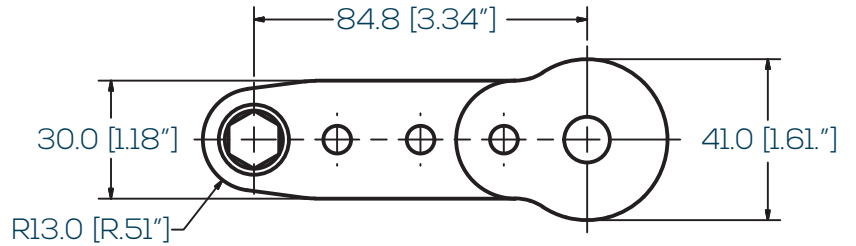
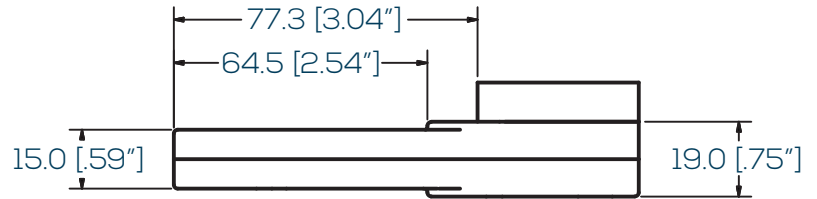
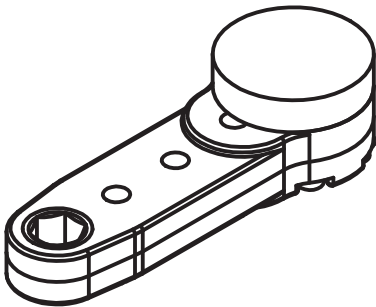
Ordering Number	A1200084
Max Hex Size	13mm 1/2"
Ratio	1:1
Efficiency	.75
Max Torque Output	30 Nm 22.1 ft-lbs
Adapter Series	E54 Interface
Input Drive	1/2" Square Drive

CET4-30-13-E54

Crowfoot Head

Torque Control

**Max Torque:
30 Nm / 22.1 ft-lbs**



Specifications

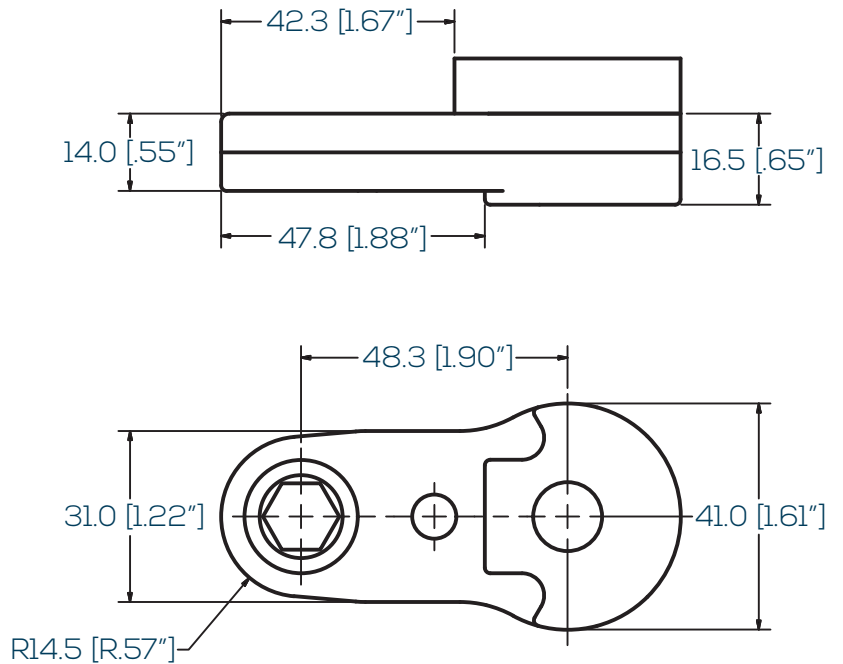
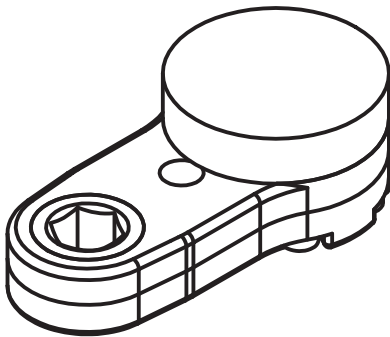
Ordering Number	A1200041
Max Hex Size	13mm 1/2"
Ratio	1:1
Efficiency	.70
Max Torque Output	30 Nm 22.1 ft-lbs
Adapter Series	E54 Interface
Input Drive	1/2" Square Drive

CET2-40-14-E54

Crowfoot Head

Torque Control

**Max Torque:
40 Nm / 29.5 ft-lbs**



Specifications

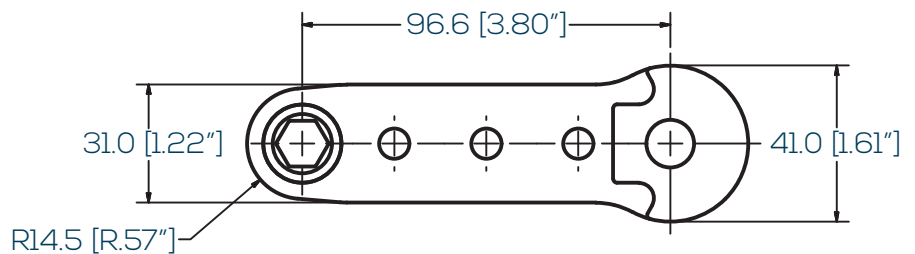
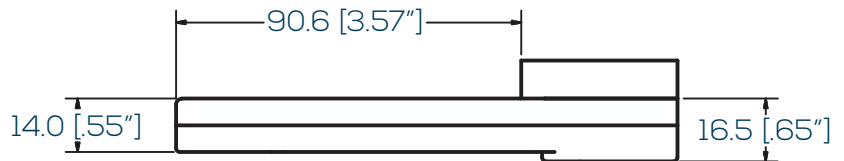
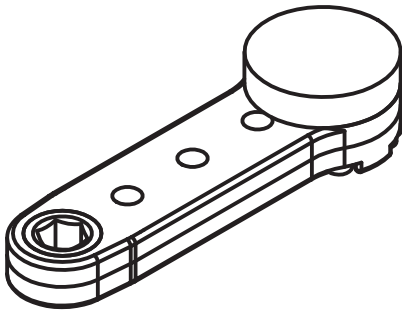
Ordering Number	A1200069
Max Hex Size	14mm 9/16"
Ratio	1:1
Efficiency	.80
Max Torque Output	40 Nm 29.5 ft-lbs
Adapter Series	E54 Interface
Input Drive	1/2" Square Drive

CET4-40-14-E54

Crowfoot Head

Torque Control

**Max Torque:
40 Nm / 29.5 ft-lbs**



Specifications

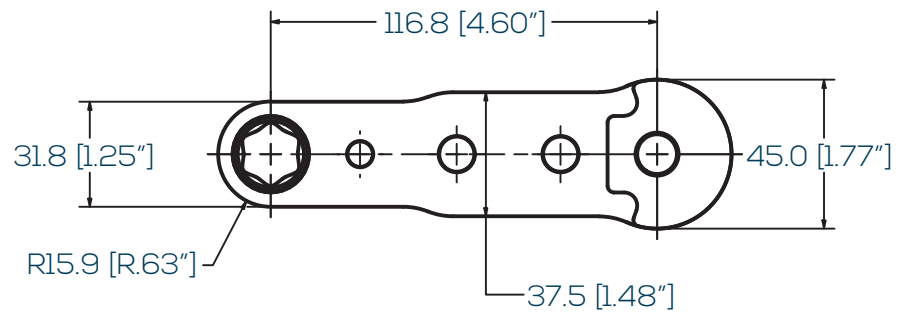
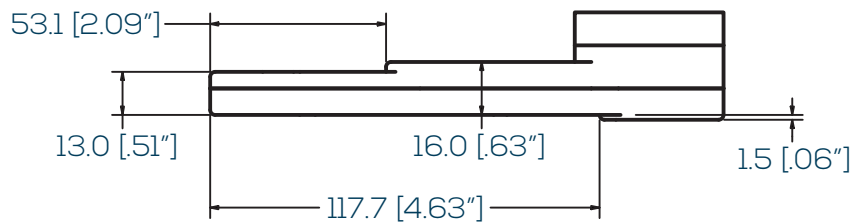
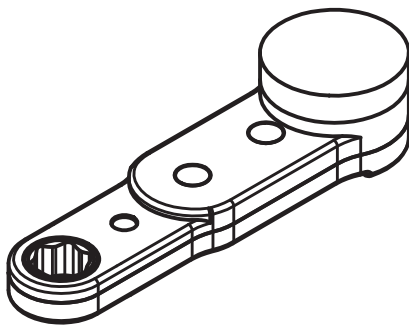
Ordering Number	A1200051
Max Hex Size	14mm 9/16"
Ratio	1:1
Efficiency	.70
Max Torque Output	40 Nm 29.5 ft-lbs
Adapter Series	E54 Interface
Input Drive	1/2" Square Drive

CET4-41-16-E64

Crowfoot Head

Torque Control

**Max Torque:
41 Nm / 30.2 ft-lbs**



Specifications

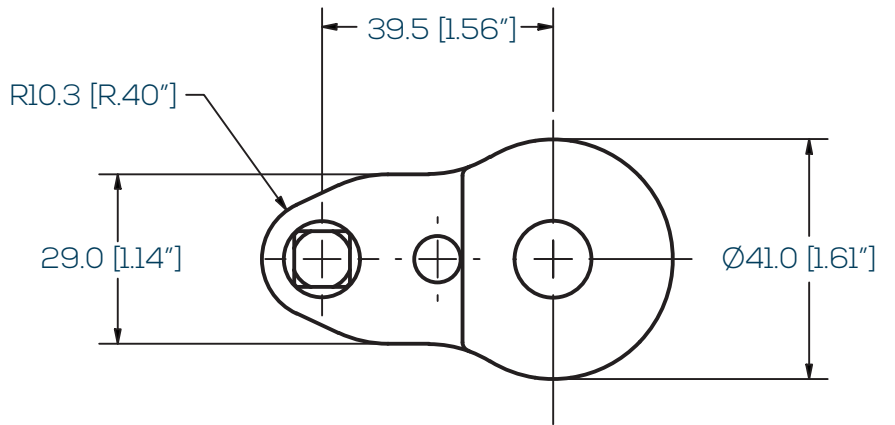
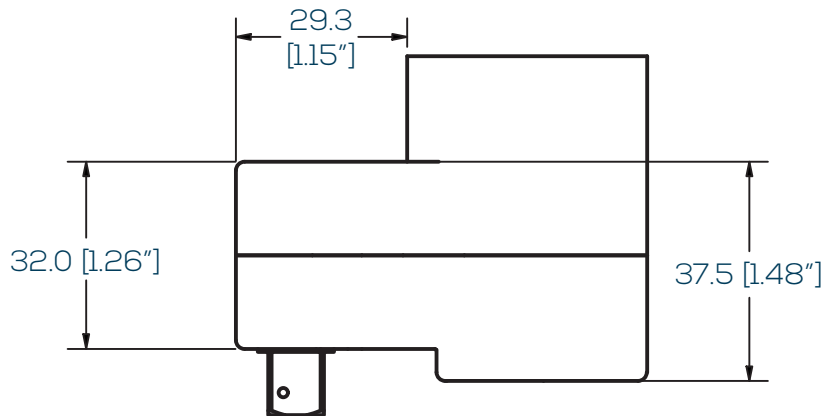
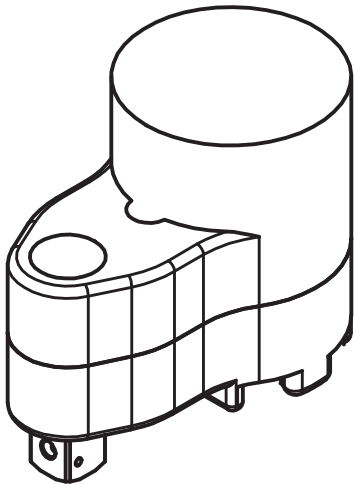
Ordering Number	A1200058
Max Hex Size	16mm 5/8"
Ratio	1:1
Efficiency	.70
Max Torque Output	41 Nm 30.2 ft-lbs
Adapter Series	E64 Interface
Input Drive	1/2" Square Drive

CET2-45-08-E54

Crowfoot Head

Torque Control

**Max Torque:
45 Nm / 33.1 ft-lbs**



Specifications

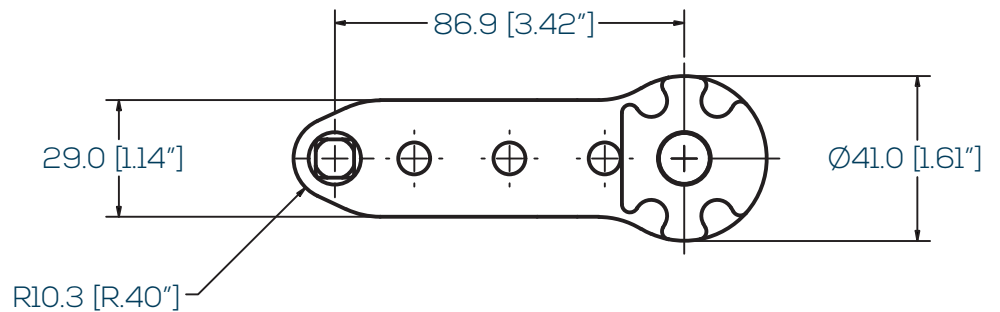
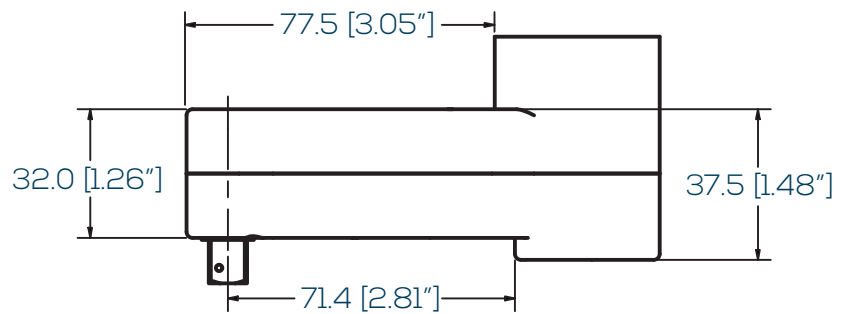
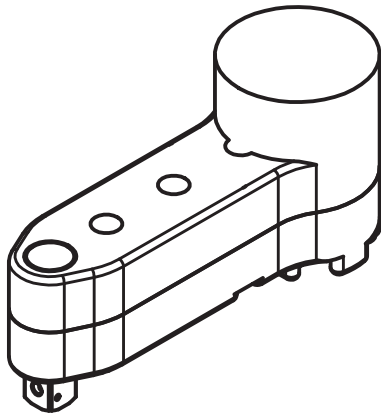
Ordering Number	A1200042
Max Hex Size	8mm 5/16" 3/8" SD
Ratio	1:1
Efficiency	.80
Max Torque Output	45 Nm 33.1 ft-lbs
Adapter Series	E54 Interface
Input Drive	1/2" Square Drive

CET4-45-08-E54

Crowfoot Head

Torque Control

Max Torque:
45 Nm / 33.1 ft-lbs



Specifications

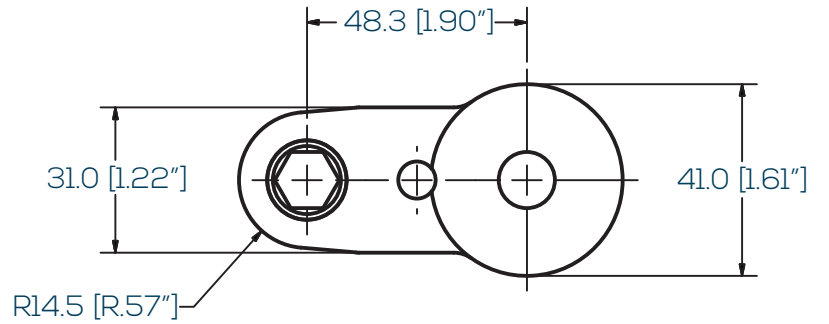
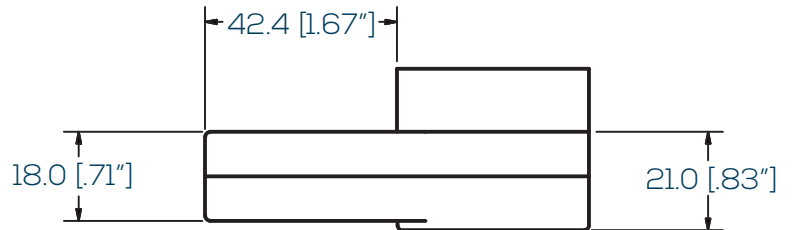
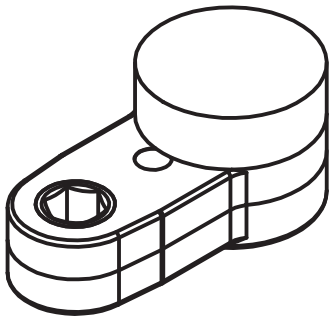
Ordering Number	A1200044
Max Hex Size	8mm 5/16" 3/8" SD
Ratio	1:1
Efficiency	.70
Max Torque Output	45 Nm 33.1 ft-lbs
Adapter Series	E54 Interface
Input Drive	1/2" Square Drive

CET2-50-14-E54

Crowfoot Head

Torque Control

**Max Torque:
50 Nm / 36.8 ft-lbs**



Specifications

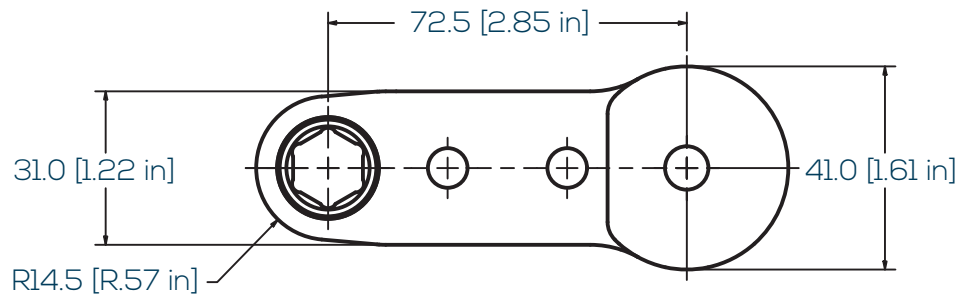
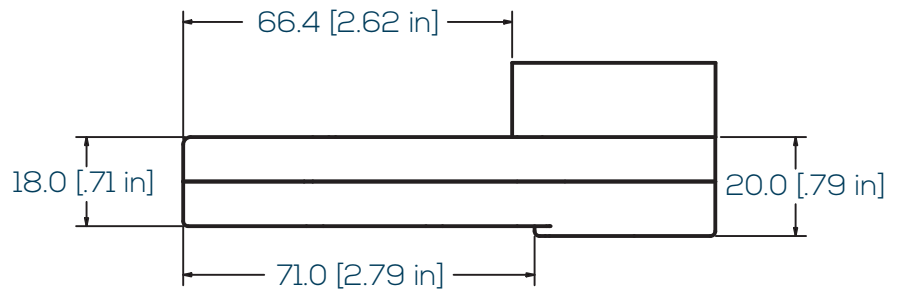
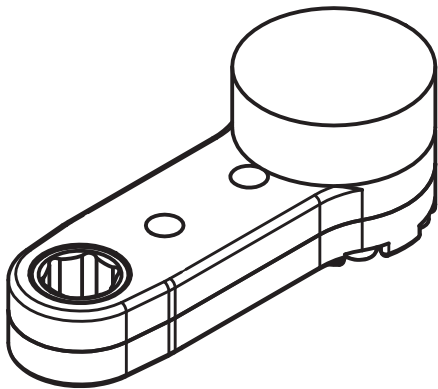
Ordering Number	A1200053
Max Hex Size	14mm 9/16"
Ratio	1:1
Efficiency	.80
Max Torque Output	50 Nm 36.8 ft-lbs
Adapter Series	E54 Interface
Input Drive	1/2" Square Drive

CET3-50-14-E54

Crowfoot Head

Torque Control

**Max Torque:
50 Nm / 36.8 ft-lbs**



Specifications

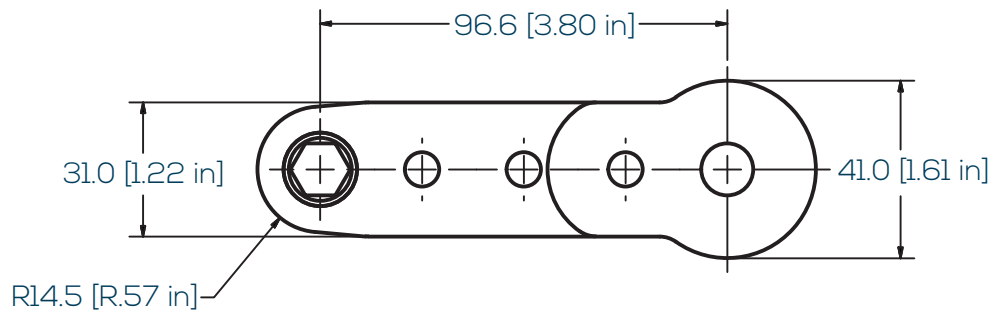
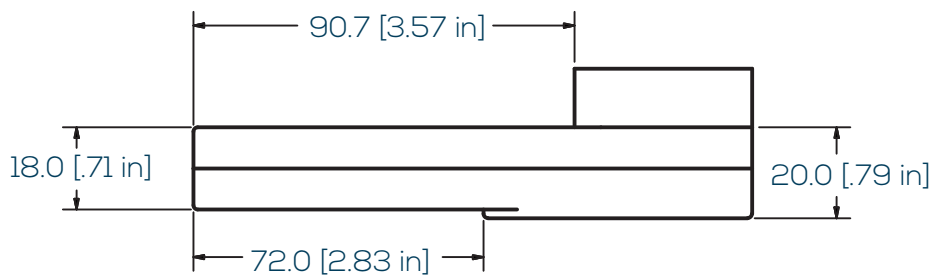
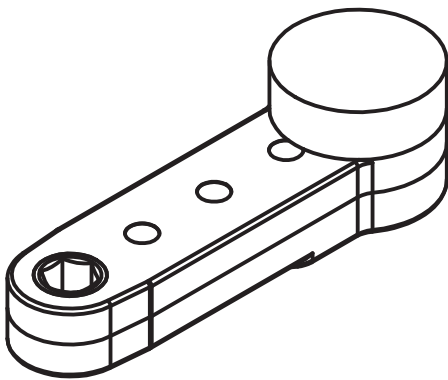
Ordering Number	A1200088
Max Hex Size	14mm 9/16"
Ratio	1:1
Efficiency	.75
Max Torque Output	50 Nm 36.8 ft-lbs
Adapter Series	E54 Interface
Input Drive	1/2" Square Drive

CET4-50-14-E54

Crowfoot Head

Torque Control

**Max Torque:
50 Nm / 36.8 ft-lbs**



Specifications

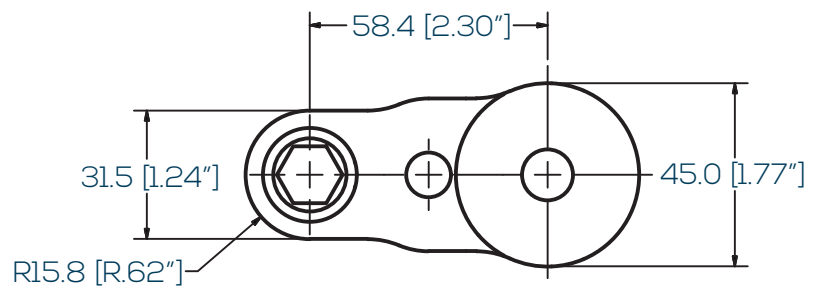
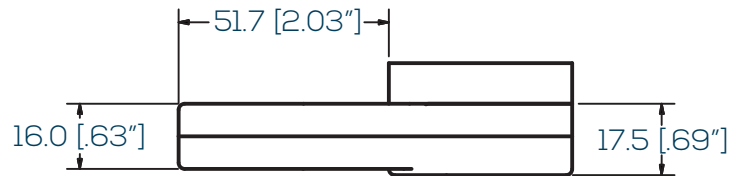
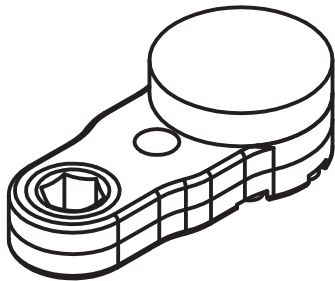
Ordering Number	A1200037
Max Hex Size	14mm 9/16"
Ratio	1:1
Efficiency	.70
Max Torque Output	50 Nm 36.8 ft-lbs
Adapter Series	E54 Interface
Input Drive	1/2" Square Drive

CET2-52-16-E64

Crowfoot Head

Torque Control

**Max Torque:
52 Nm / 38.3 ft-lbs**



Specifications

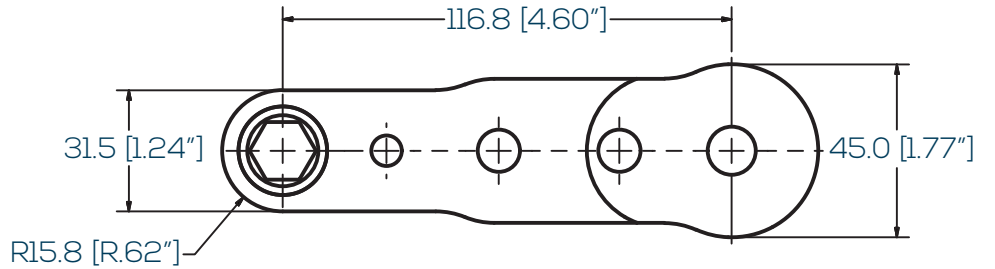
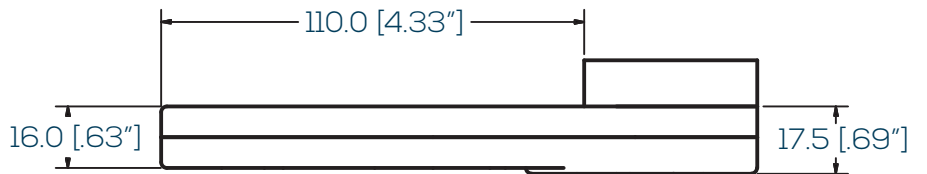
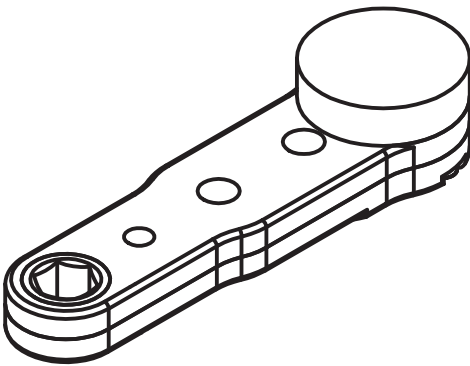
Ordering Number	A1200046
Max Hex Size	16mm 5/8"
Ratio	1:1
Efficiency	.80
Max Torque Output	52 Nm 38.3 ft-lbs
Adapter Series	E64 Interface
Input Drive	1/2" Square Drive

CET4-52-16-E64

Crowfoot Head

Torque Control

Max Torque:
52 Nm / 38.3 ft-lbs



Specifications

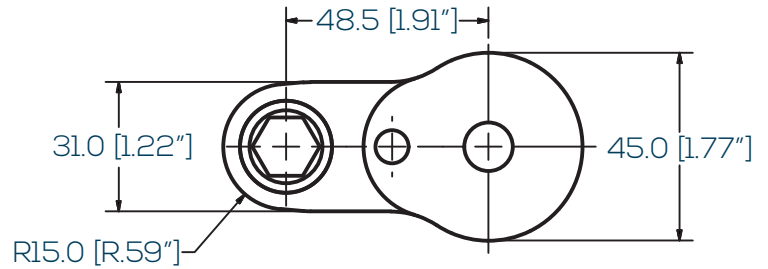
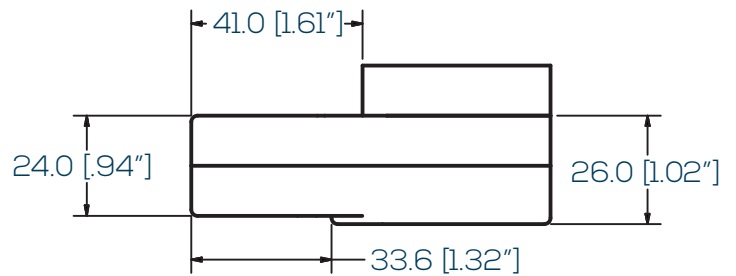
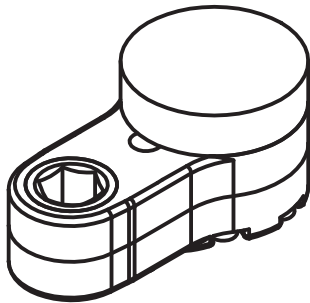
Ordering Number	A1200057
Max Hex Size	16mm 5/8"
Ratio	1:1
Efficiency	.70
Max Torque Output	52 Nm 38.3 ft-lbs
Adapter Series	E64 Interface
Input Drive	1/2" Square Drive

CET2-65-16-E64

Crowfoot Head

Torque Control

**Max Torque:
65 Nm / 47.9 ft-lbs**



Specifications

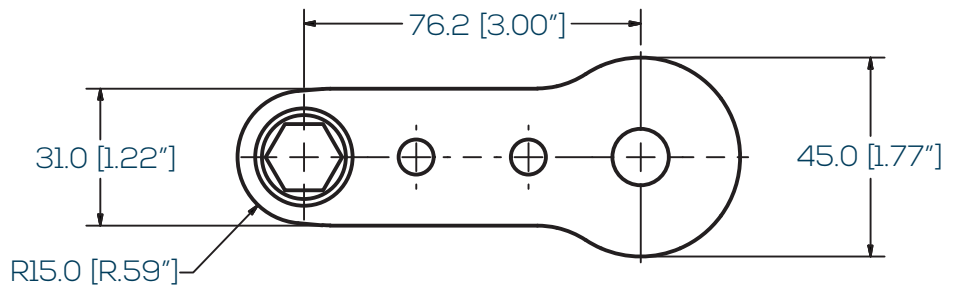
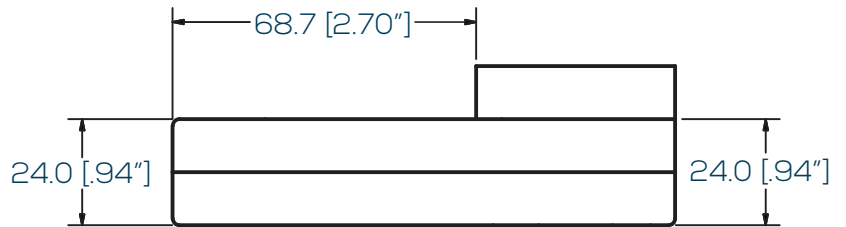
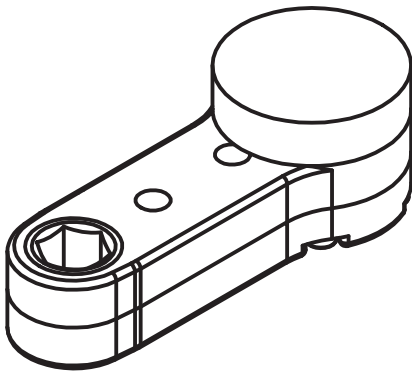
Ordering Number	A1200055
Max Hex Size	16mm 5/8"
Ratio	1.222:1
Efficiency	.80
Max Torque Output	65 Nm 47.9 ft-lbs
Adapter Series	E64 Interface
Input Drive	1/2" Square Drive

CET3-65-16-E64

Crowfoot Head

Torque Control

**Max Torque:
65 Nm / 47.9 ft-lbs**



Specifications

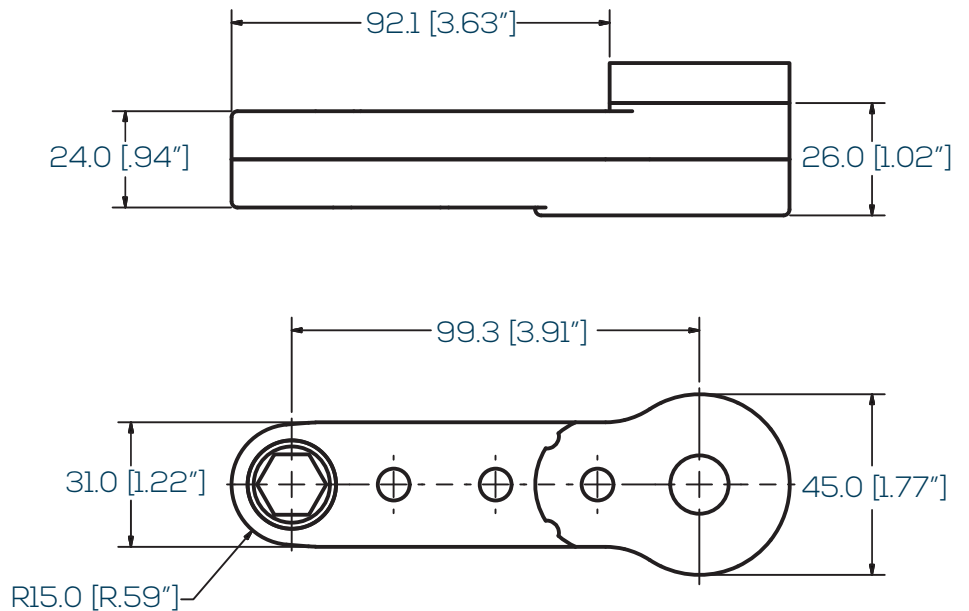
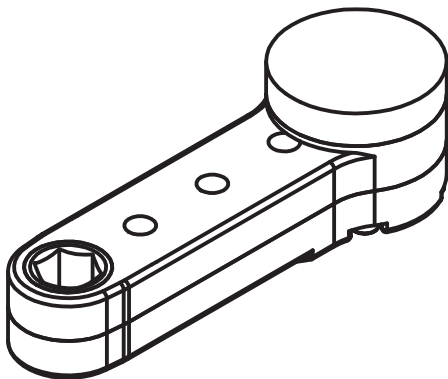
Ordering Number	A1200049
Max Hex Size	16mm 5/8"
Ratio	1.222:1
Efficiency	.75
Max Torque Output	65 Nm 47.9 ft-lbs
Adapter Series	E64 Interface
Input Drive	1/2" Square Drive

CET4-65-16-E64

Crowfoot Head

Torque Control

Max Torque:
65 Nm / 47.9 ft-lbs



Specifications

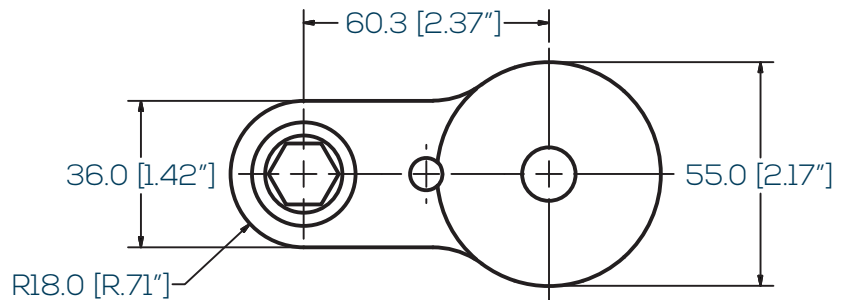
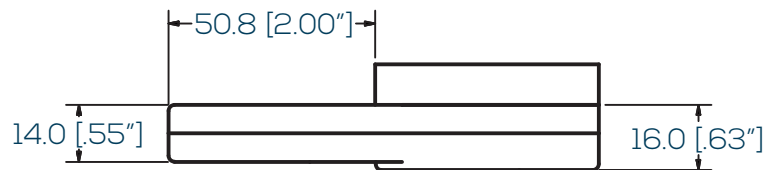
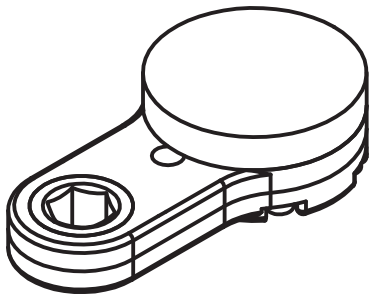
Ordering Number	A1200031
Max Hex Size	16mm 5/8"
Ratio	1.222:1
Efficiency	.70
Max Torque Output	65 Nm 47.9 ft-lbs
Adapter Series	E64 Interface
Input Drive	1/2" Square Drive

CET2-65-19-E74

Crowfoot Head

Torque Control

**Max Torque:
65 Nm / 47.9 ft-lbs**



Specifications

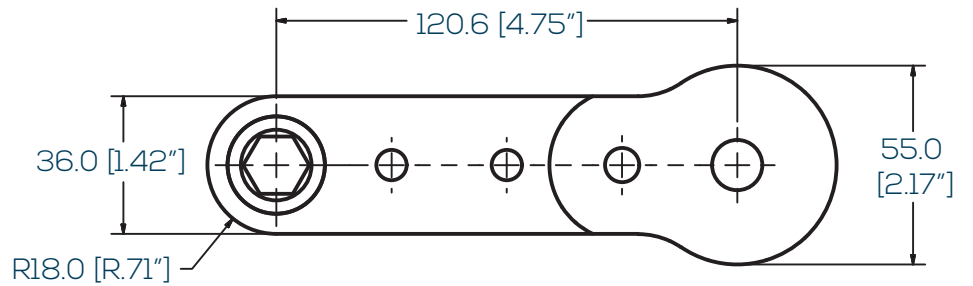
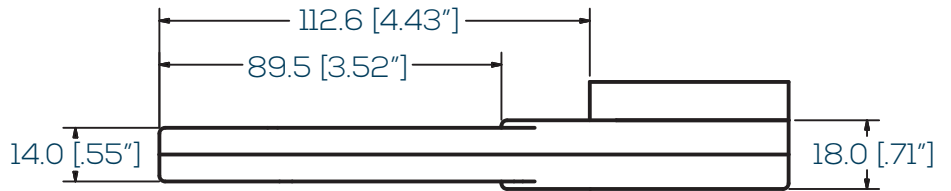
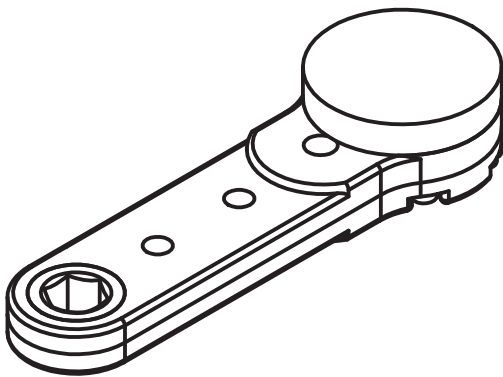
Ordering Number	A1200094
Max Hex Size	19mm 3/4"
Ratio	1:1
Efficiency	.80
Max Torque Output	65 Nm 47.9 ft-lbs
Adapter Series	E74 Interface
Input Drive	1/2" Square Drive

CET4-65-19-E74

Crowfoot Head

Torque Control

**Max Torque:
65 Nm / 47.9 ft-lbs**



Specifications

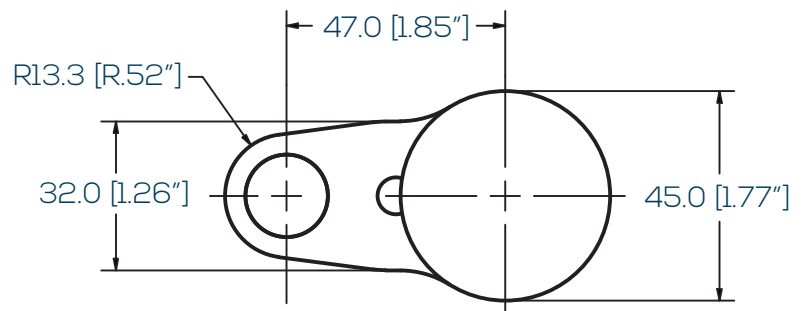
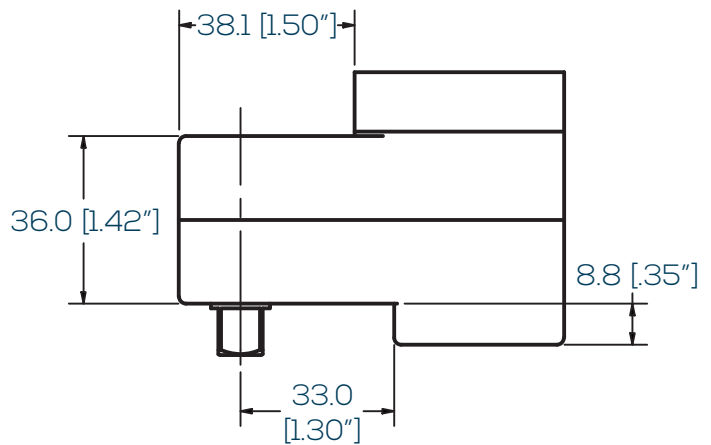
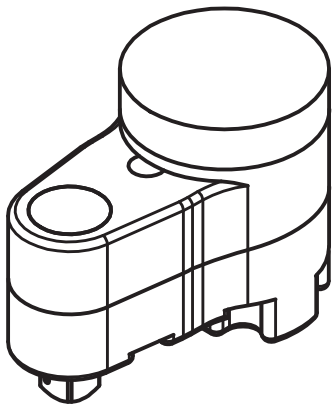
Ordering Number	A1200073
Max Hex Size	19mm 3/4"
Ratio	1:1
Efficiency	.70
Max Torque Output	65 Nm 47.9 ft-lbs
Adapter Series	E74 Interface
Input Drive	1/2" Square Drive

CET2-85-12-E64

Crowfoot Head

Torque Control

**Max Torque:
85 Nm / 62.6 ft-lbs**



Specifications

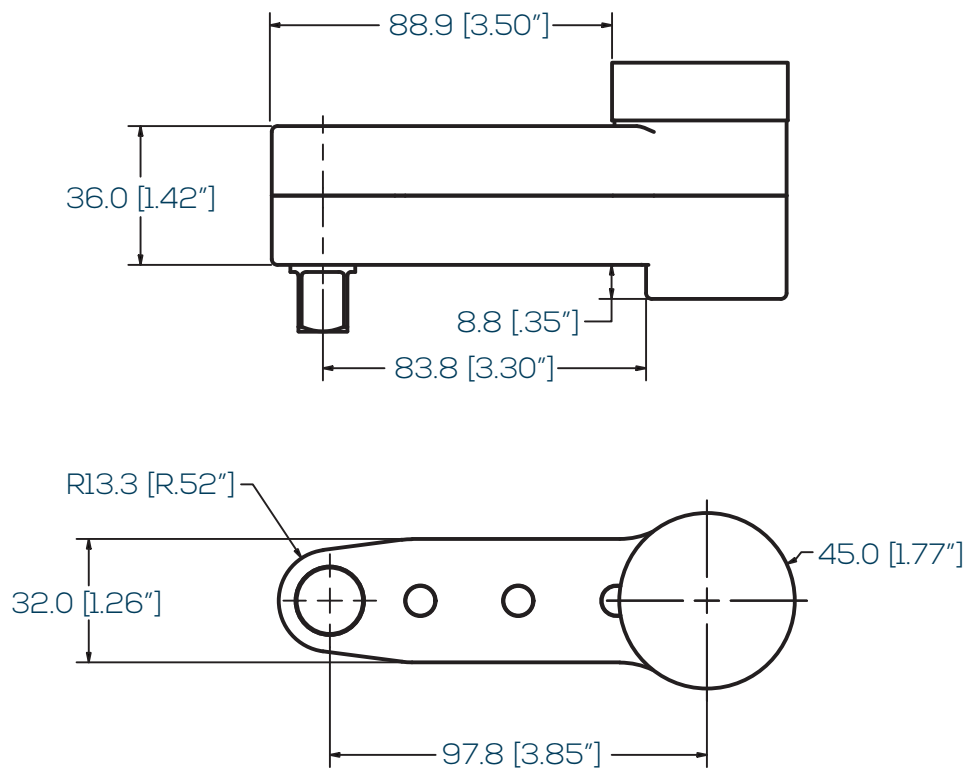
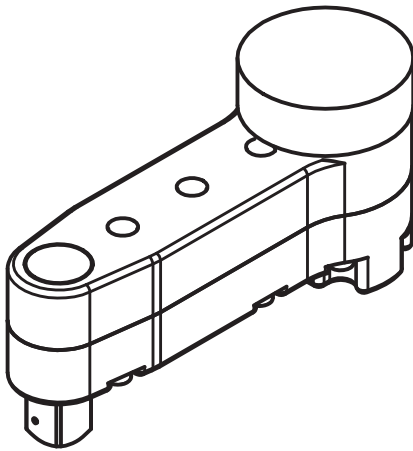
Ordering Number	A1200064
Max Hex Size	12mm 15/32" 1/2" SD
Ratio	1:1
Efficiency	.80
Max Torque Output	85 Nm 62.6 ft-lbs
Adapter Series	E64 Interface
Input Drive	1/2" Square Drive

CET4-85-12-E64

Crowfoot Head

Torque Control

Max Torque:
85 Nm / 62.6 ft-lbs



Specifications

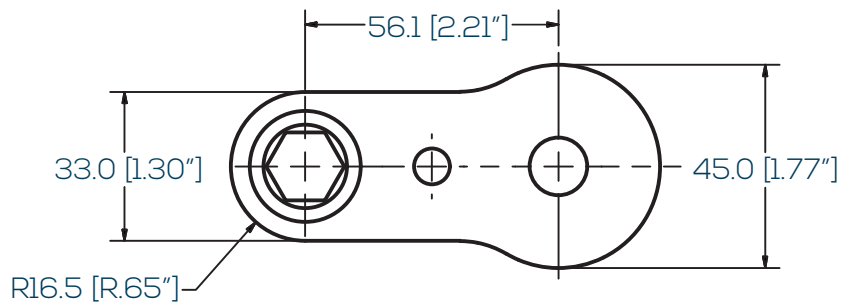
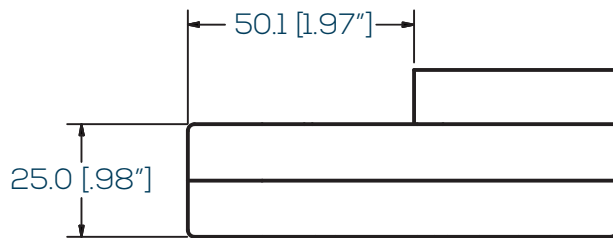
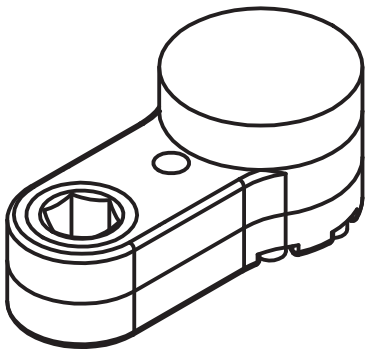
Ordering Number	A1200056
Max Hex Size	12mm 15/32" 1/2" SD
Ratio	1:1
Efficiency	.70
Max Torque Output	85 Nm 62.6 ft-lbs
Adapter Series	E64 Interface
Input Drive	1/2" Square Drive

CET2-85-17-E64

Crowfoot Head

Torque Control

**Max Torque:
85 Nm / 62.6 ft-lbs**



Specifications

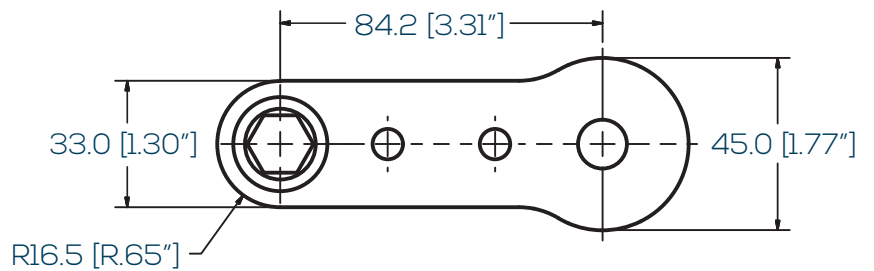
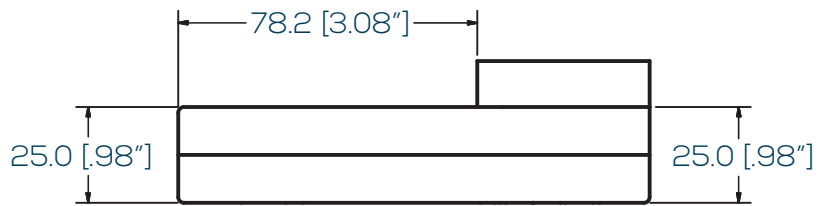
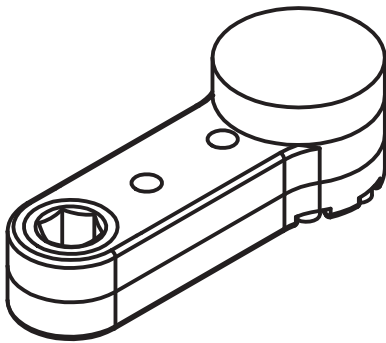
Ordering Number	A1200063
Max Hex Size	17mm 11/16"
Ratio	1:1
Efficiency	.80
Max Torque Output	85 Nm 62.6 ft-lbs
Adapter Series	E64 Interface
Input Drive	1/2" Square Drive

CET3-85-17-E64

Crowfoot Head

Torque Control

Max Torque:
85 Nm / 62.6 ft-lbs



Specifications

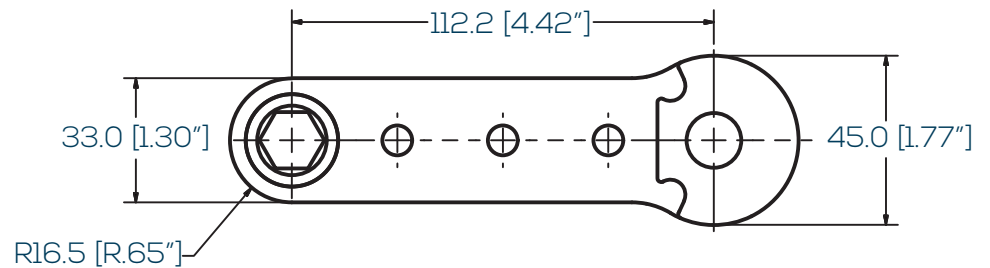
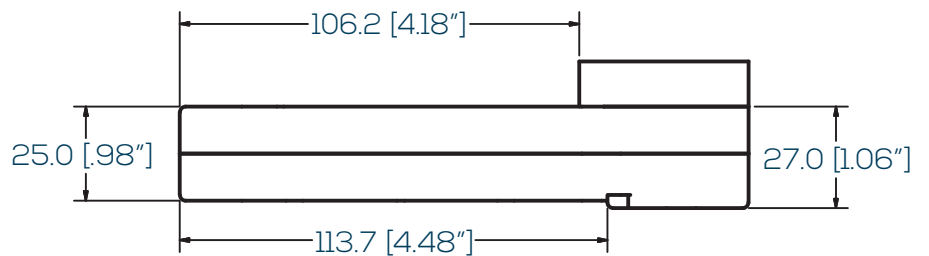
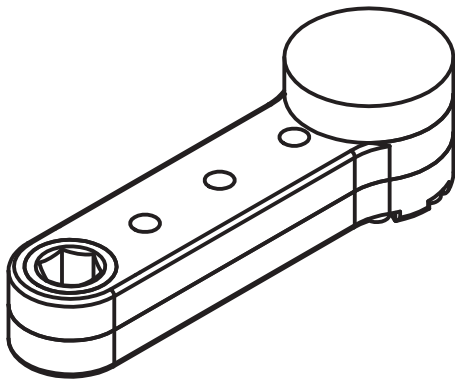
Ordering Number	A1200078
Max Hex Size	17mm 11/16"
Ratio	1:1
Efficiency	.75
Max Torque Output	85 Nm 62.6 ft-lbs
Adapter Series	E64 Interface
Input Drive	1/2" Square Drive

CET4-85-17-E64

Crowfoot Head

Torque Control

**Max Torque:
85 Nm / 62.6 ft-lbs**



Specifications

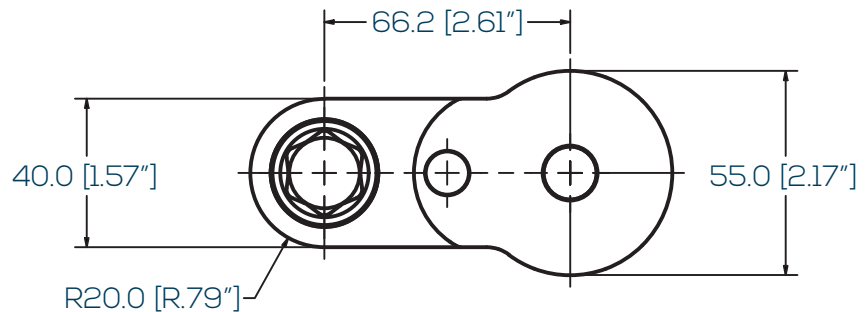
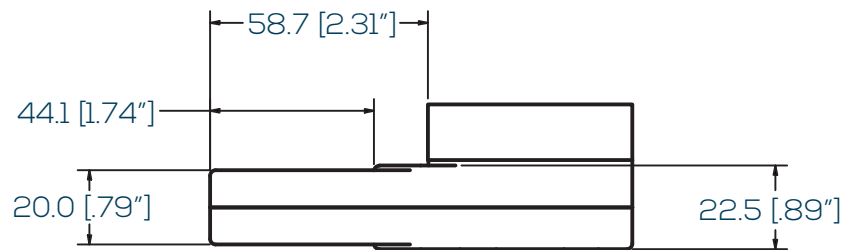
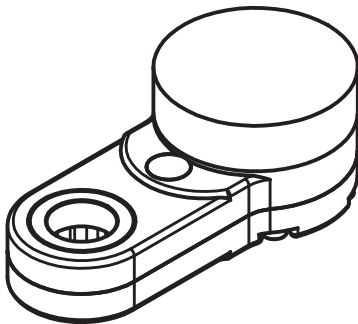
Ordering Number	A1200032
Max Hex Size	17mm 11/16"
Ratio	1:1
Efficiency	.70
Max Torque Output	85 Nm 62.6 ft-lbs
Adapter Series	E64 Interface
Input Drive	1/2" Square Drive

CET2-90-22-E74

Crowfoot Head

Torque Control

**Max Torque:
90 Nm / 66.4 ft-lbs**



Specifications

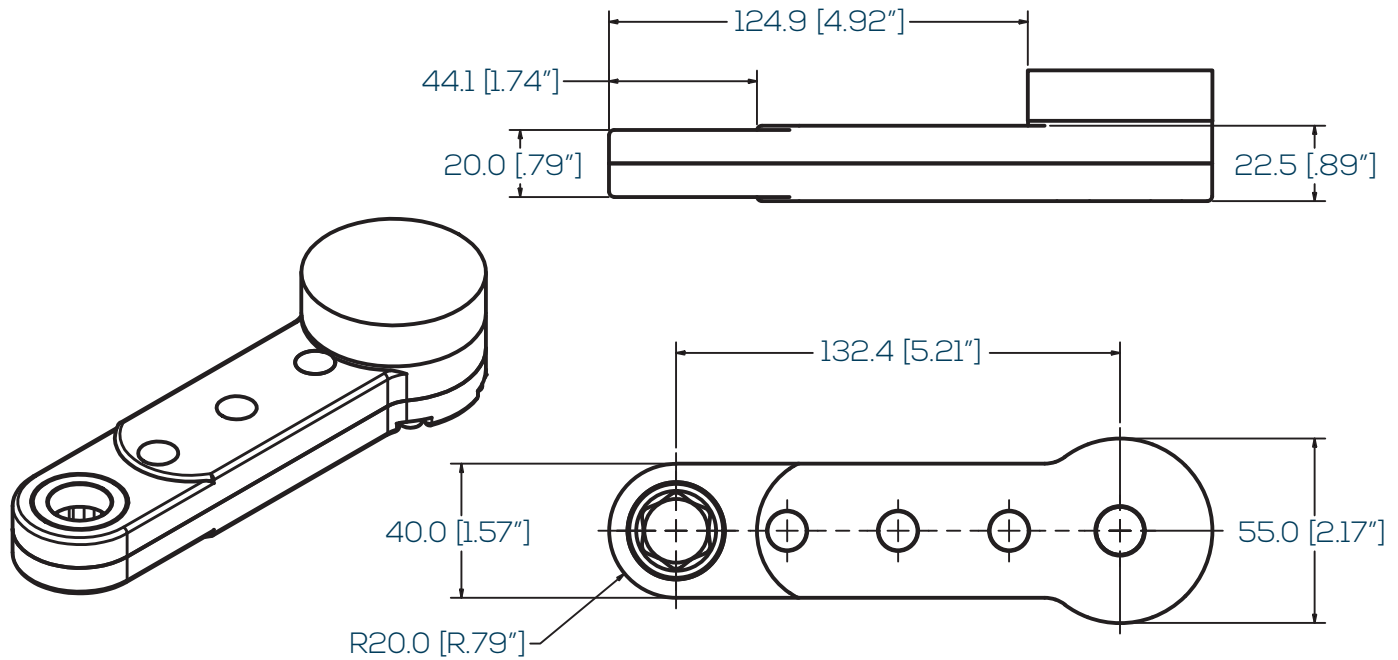
Ordering Number	A1200086
Max Hex Size	22mm 7/8"
Ratio	1:1
Efficiency	.80
Max Torque Output	90 Nm 66.4 ft-lbs
Adapter Series	E74 Interface
Input Drive	1/2" Square Drive

CET4-90-22-E74

Crowfoot Head

Torque Control

**Max Torque:
90 Nm / 66.4 ft-lbs**



Specifications

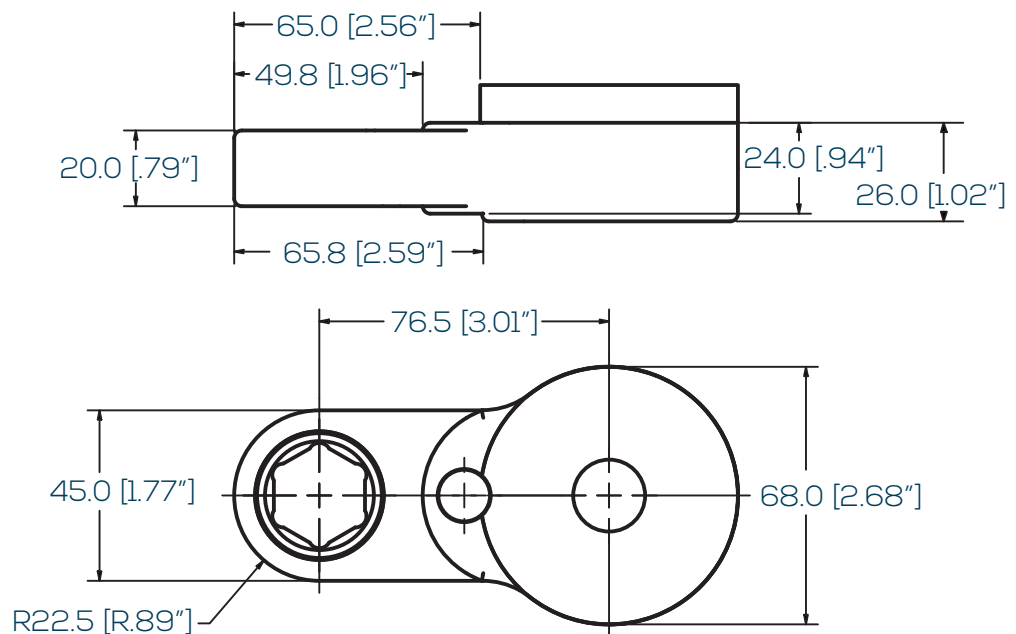
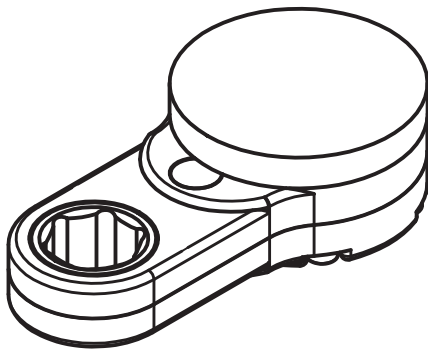
Ordering Number	A1200085
Max Hex Size	22mm 7/8"
Ratio	1:1
Efficiency	.70
Max Torque Output	90 Nm 66.4 ft-lbs
Adapter Series	E74 Interface
Input Drive	1/2" Square Drive

CET2-105-24-E84

Crowfoot Head

Torque Control

**Max Torque:
105 Nm / 77.4 ft-lbs**



Specifications

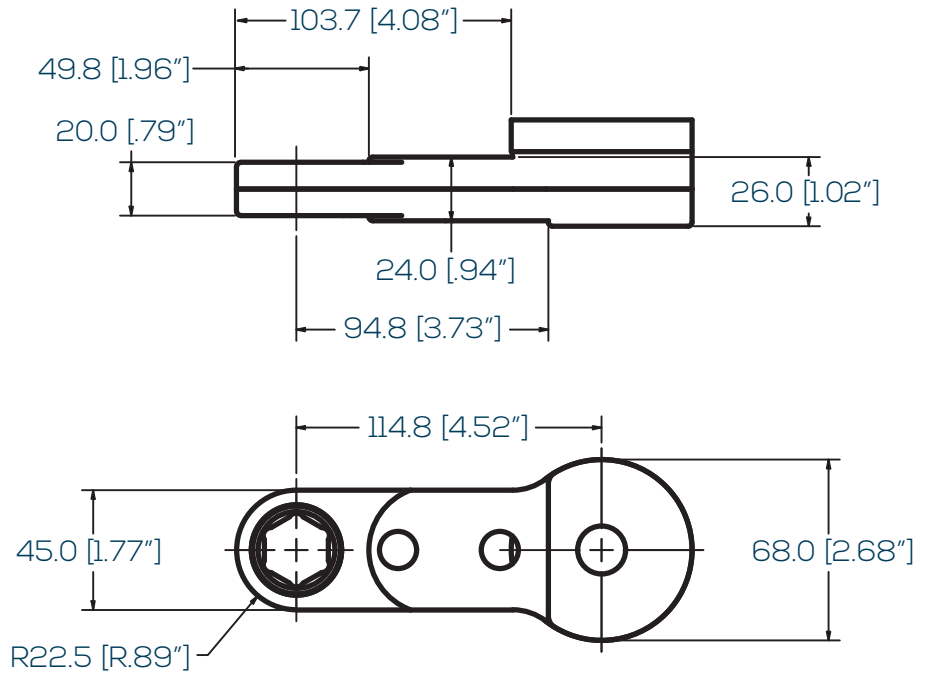
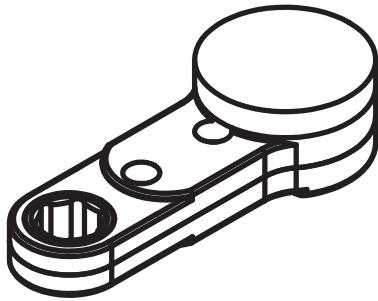
Ordering Number	A1200059
Max Hex Size	24mm 15/16"
Ratio	1:1
Efficiency	.80
Max Torque Output	105 Nm 77.4 ft-lbs
Adapter Series	E84 Interface
Input Drive	3/4" Square Drive

CET3-105-24-E84

Crowfoot Head

Torque Control

Max Torque:
105 Nm / 77.4 ft-lbs



Specifications

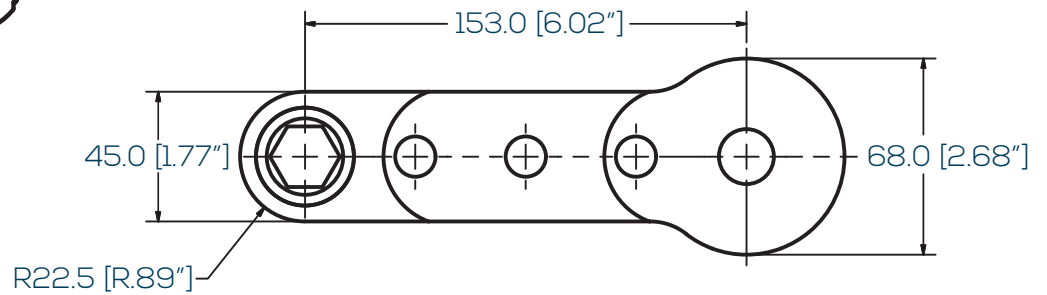
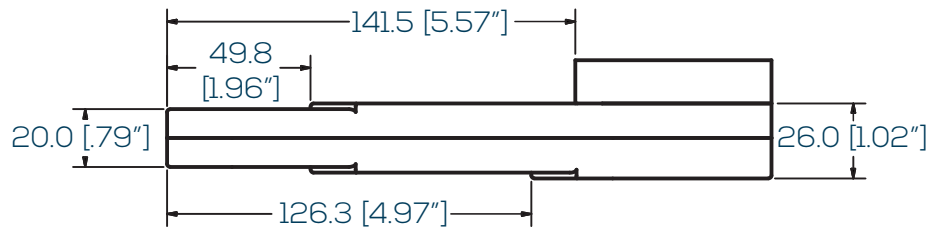
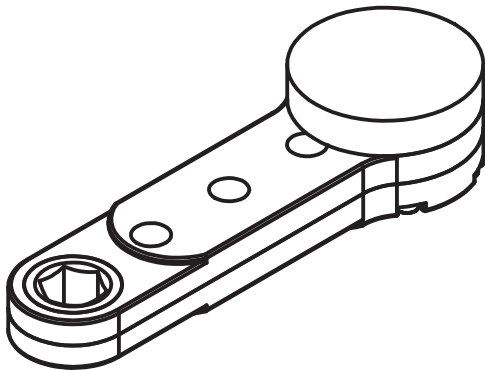
Ordering Number	A1200067
Max Hex Size	24mm 15/16"
Ratio	1:1
Efficiency	.75
Max Torque Output	105 Nm 77.4 ft-lbs
Adapter Series	E84 Interface
Input Drive	3/4" Square Drive

CET4-105-24-E84

Crowfoot Head

Torque Control

**Max Torque:
105 Nm / 77.4 ft-lbs**



Specifications

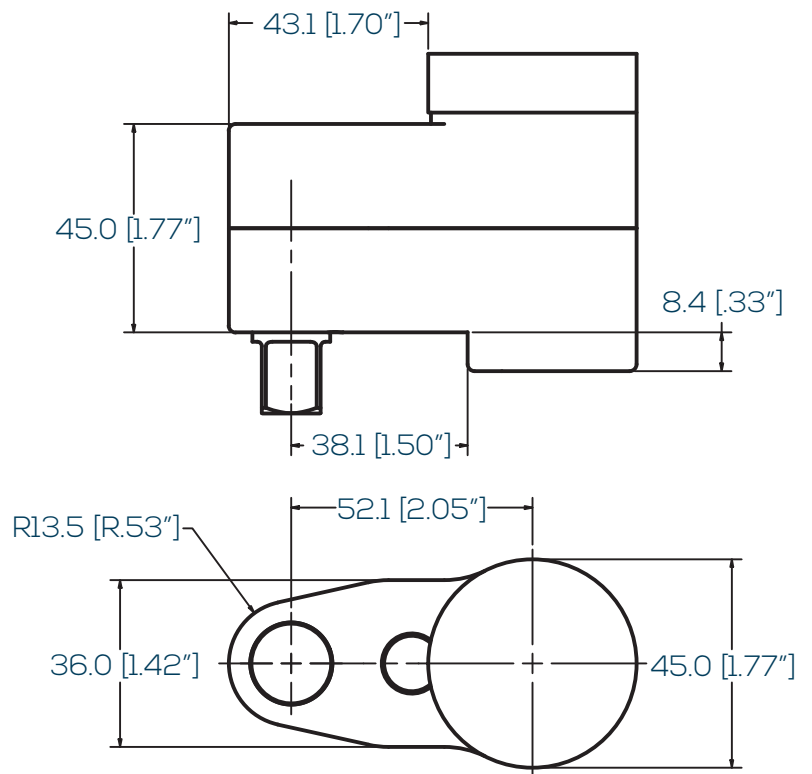
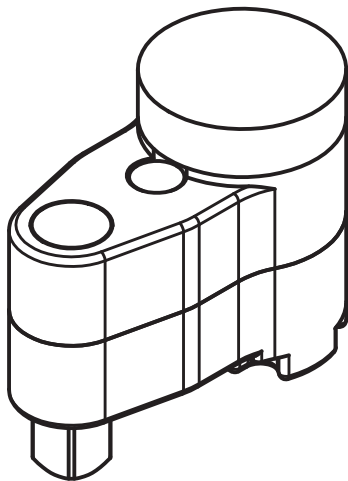
Ordering Number	A1200060
Max Hex Size	24mm 15/16"
Ratio	1:1
Efficiency	.70
Max Torque Output	105 Nm 77.4 ft-lbs
Adapter Series	E84 Interface
Input Drive	3/4" Square Drive

CET2-110-12-E64

Crowfoot Head

Torque Control

**Max Torque:
110 Nm / 81.1 ft-lbs**



Specifications

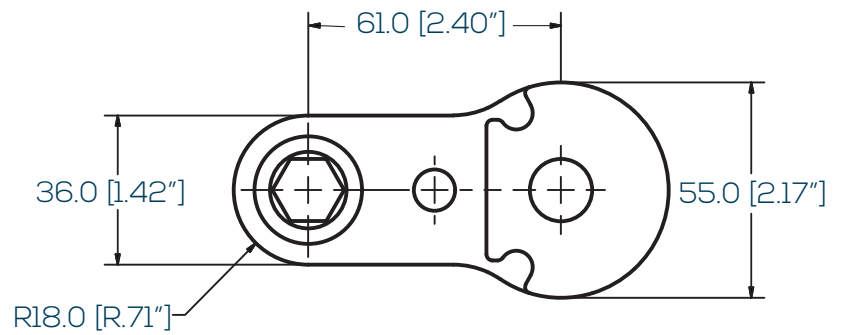
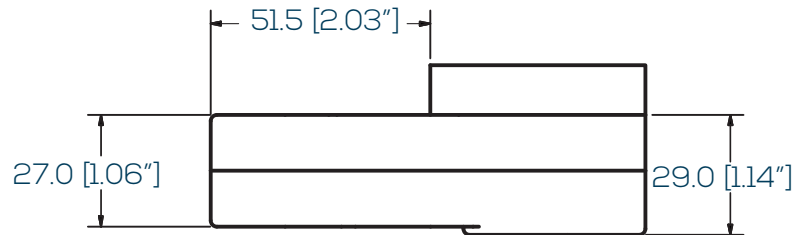
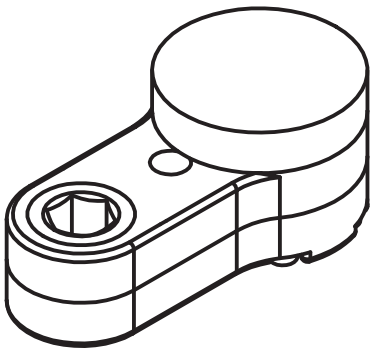
Ordering Number	A1200090
Max Hex Size	12mm 15/32" 1/2" SD
Ratio	1:1
Efficiency	.80
Max Torque Output	110 Nm 81.1 ft-lbs
Adapter Series	E64 Interface
Input Drive	1/2" Square Drive

CET2-110-19-E74

Crowfoot Head

Torque Control

**Max Torque:
110 Nm / 81.1 ft-lbs**



Specifications

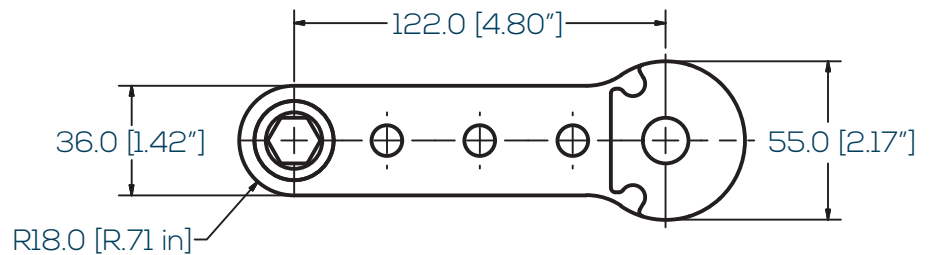
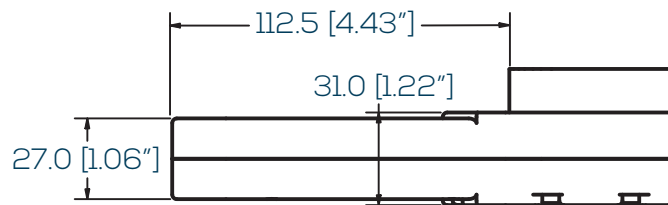
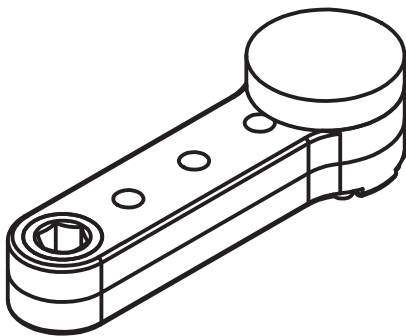
Ordering Number	A1200034
Max Hex Size	19mm 3/4"
Ratio	1:1
Efficiency	.80
Max Torque Output	110 Nm 81.1 ft-lbs
Adapter Series	E74 Interface
Input Drive	1/2" Square Drive

CET4-110-19-E74

Crowfoot Head

Torque Control

**Max Torque:
110 Nm / 81.1 ft-lbs**



Specifications

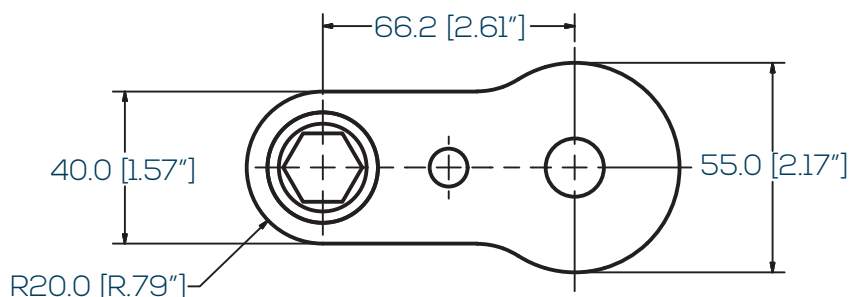
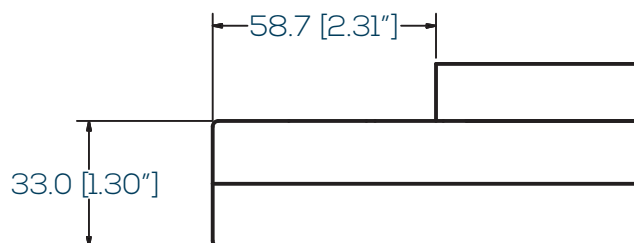
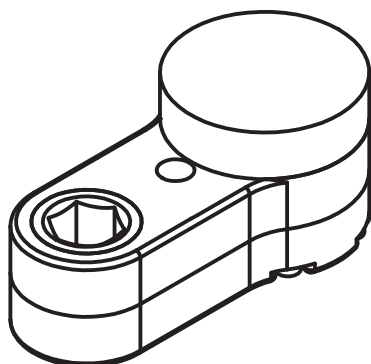
Ordering Number	A1200039
Max Hex Size	19mm 3/4"
Ratio	1:1
Efficiency	.70
Max Torque Output	110 Nm 81.1 ft-lbs
Adapter Series	E74 Interface
Input Drive	1/2" Square Drive

CET2-150-22-E74

Crowfoot Head

Torque Control

**Max Torque:
150 Nm / 110.6 ft-lbs**



Specifications

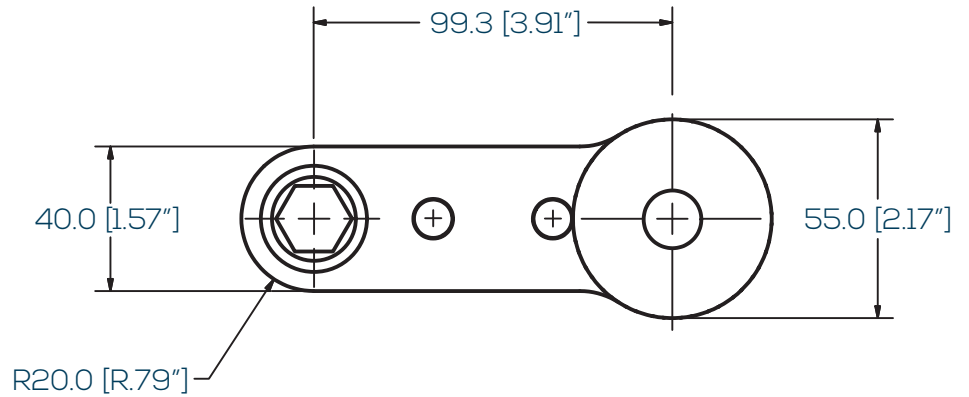
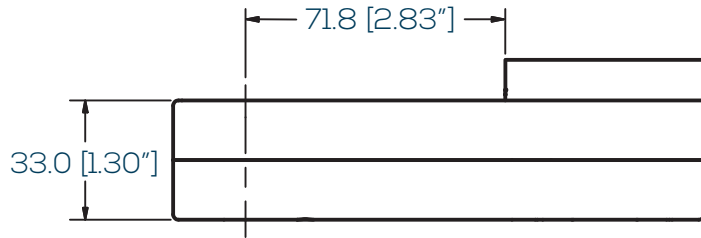
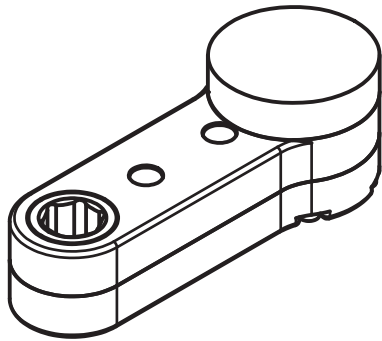
Ordering Number	A1200061
Max Hex Size	22mm 7/8"
Ratio	1:1
Efficiency	.80
Max Torque Output	150 Nm 110.6 ft-lbs
Adapter Series	E74 Interface
Input Drive	1/2" Square Drive

CET3-150-22-E74

Crowfoot Head

Torque Control

**Max Torque:
150 Nm / 110.6 ft-lbs**



Specifications

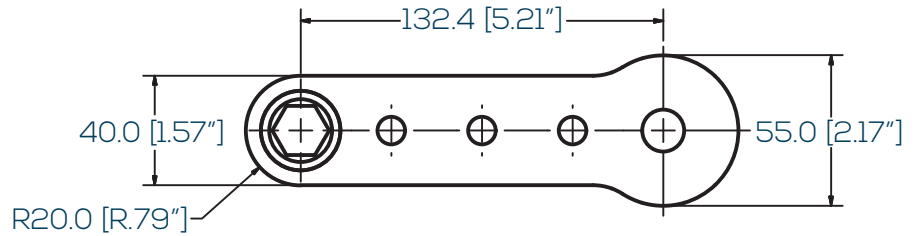
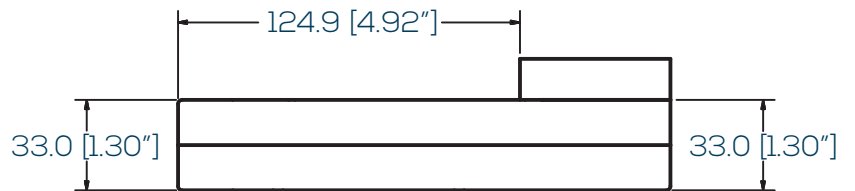
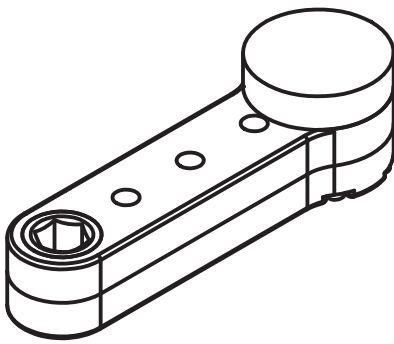
Ordering Number	A1200089
Max Hex Size	22mm 7/8"
Ratio	1:1
Efficiency	.75
Max Torque Output	150 Nm 110.6 ft-lbs
Adapter Series	E74 Interface
Input Drive	1/2" Square Drive

CET4-150-22-E74

Crowfoot Head

Torque Control

Max Torque:
150 Nm / 110.6 ft-lbs



Specifications

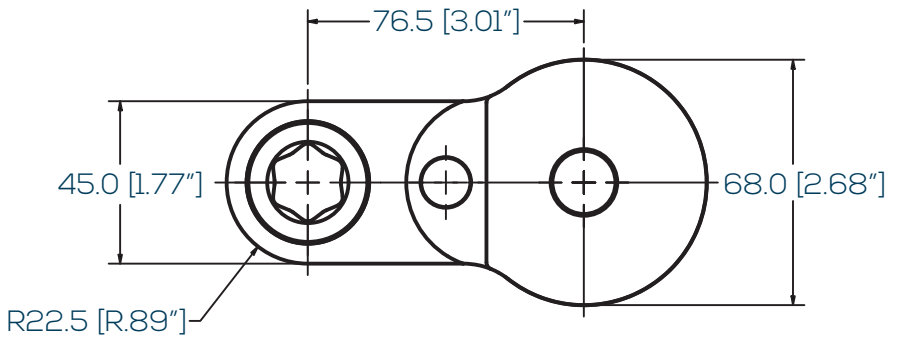
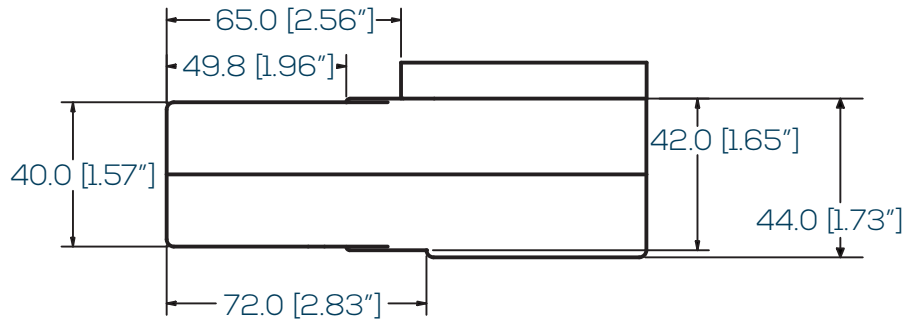
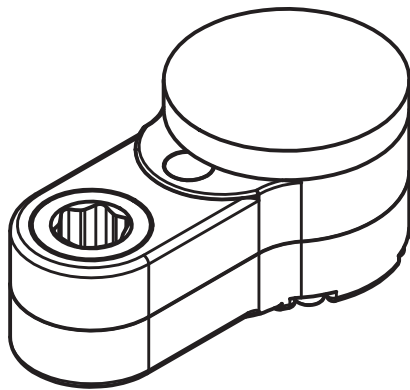
Ordering Number	A1200050
Max Hex Size	22mm 7/8"
Ratio	1:1
Efficiency	.70
Max Torque Output	150 Nm 110.6 ft-lbs
Adapter Series	E74 Interface
Input Drive	1/2" Square Drive

CET2-220-24-E84

Crowfoot Head

Torque Control

Max Torque:
220 Nm / 162.2 ft-lbs



Specifications

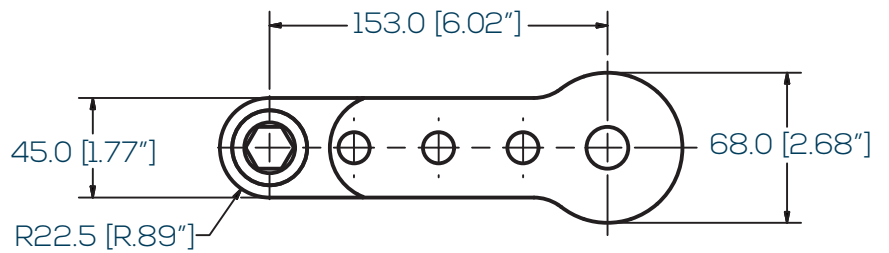
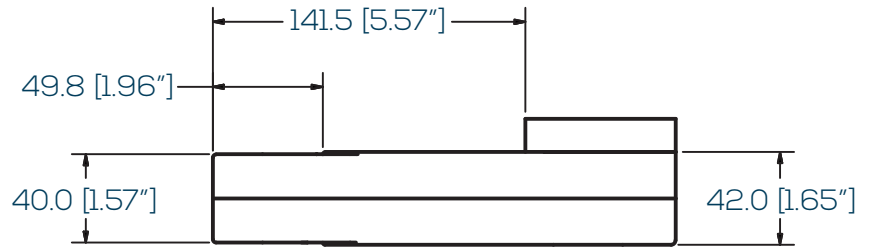
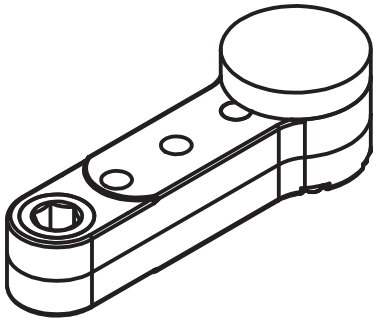
Ordering Number	A1200062
Max Hex Size	24mm 15/16"
Ratio	1:1
Efficiency	.80
Max Torque Output	220 Nm 162.2 ft-lbs
Adapter Series	E84 Interface
Input Drive	3/4" Square Drive

CET4-220-24-E84

Crowfoot Head

Torque Control

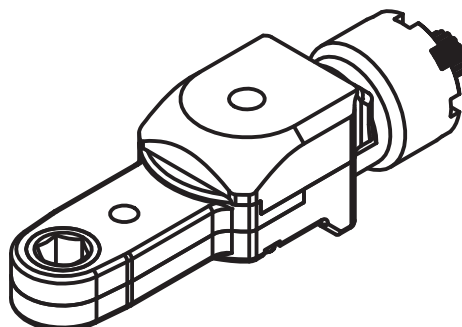
**Max Torque:
220 Nm / 162.2 ft-lbs**



Specifications

Ordering Number	A1200023
Max Hex Size	24mm 15/16"
Ratio	1:1
Efficiency	.70
Max Torque Output	220 Nm 162.2 ft-lbs
Adapter Series	E84 Interface
Input Drive	3/4" Square Drive

Inline Fastening Crowfoot Attachments



Features & Benefits

- Split Housing Design - Allows for strong "I Beam" type construction to minimize deflection under load.
- Optimized Materials and Heat Treatment - Provides high durability.
- Bearing Construction - Needle bearing support for input and idler gears.
- Stepped and Threaded Axles - Allows for mounting of multiple accessories, positive containment of gear axles eliminate axle movement.
- Modular Adapter System - Provides common interfaces between multiple product groups.
- Attachment Orientation - Provides for multiple orientations on power tool output drives.
- Output Drives - Multiple socket profiles available.
- Hold -N- Drive outputs available
- Accuracy +/- 10%

Maintenance & Service

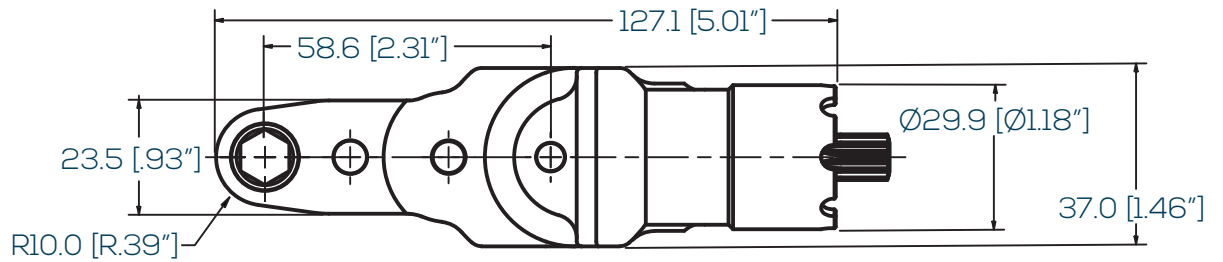
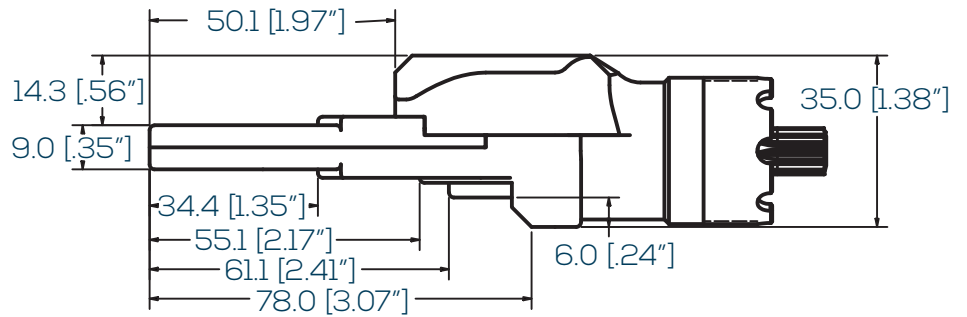
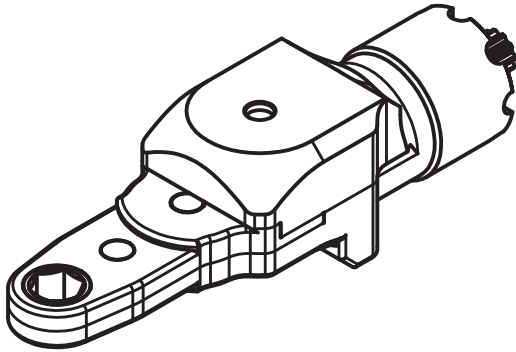
- Traceability - Model number and serial number engraved on each attachment.
- Torx Head Cap Screws - Allows for more positive engagement than traditional fasteners.
- Lubrication - External grease fittings allows for preventative maintenance.
- Parts List - Allows for ease of ordering spare/replacement parts; Supplied with all attachments.

CET3-12-10-EX3

Crowfoot Head

Torque Control

**Max Torque:
12 Nm / 8.9 ft-lbs**



Specifications

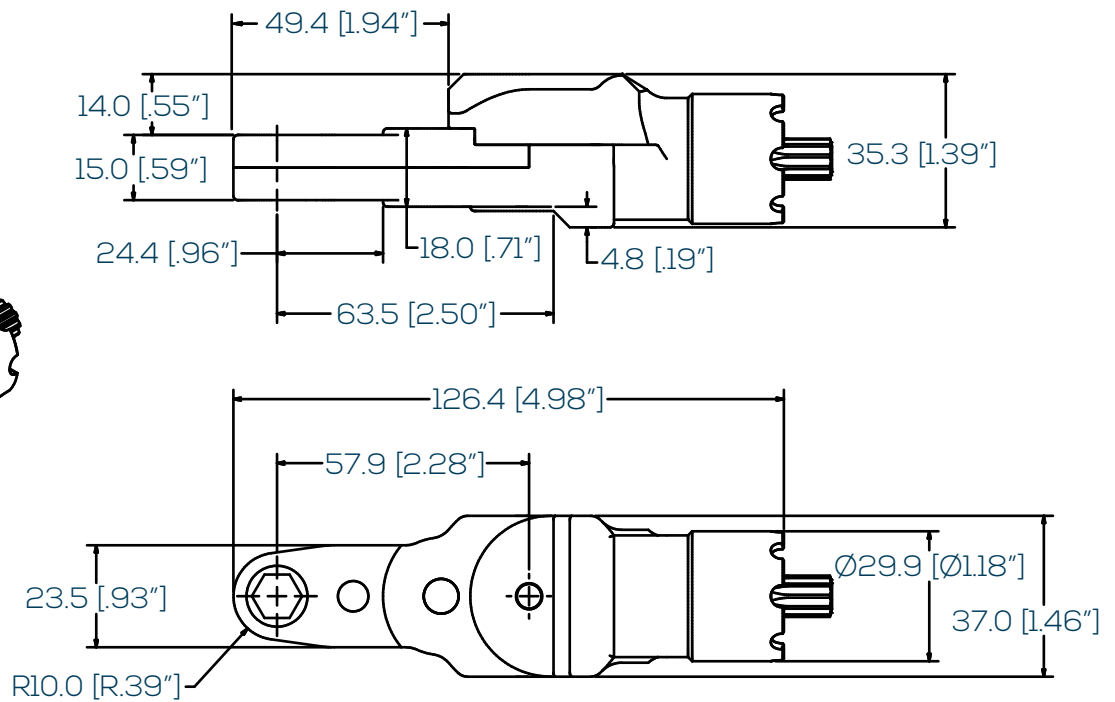
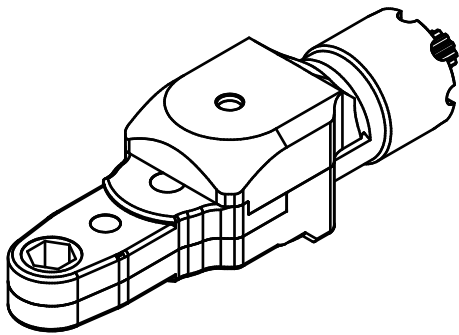
Ordering Number	A1200079
Max Hex Size	10mm 3/8"
Ratio	1.15:1
Efficiency	.75
Max Torque Output	12 Nm 8.9 ft-lbs
Adapter Series	EX3 Interface

CET3-18-10-EX3

Crowfoot Head

Torque Control

Max Torque:
18 Nm / 13.3 ft-lbs



Specifications

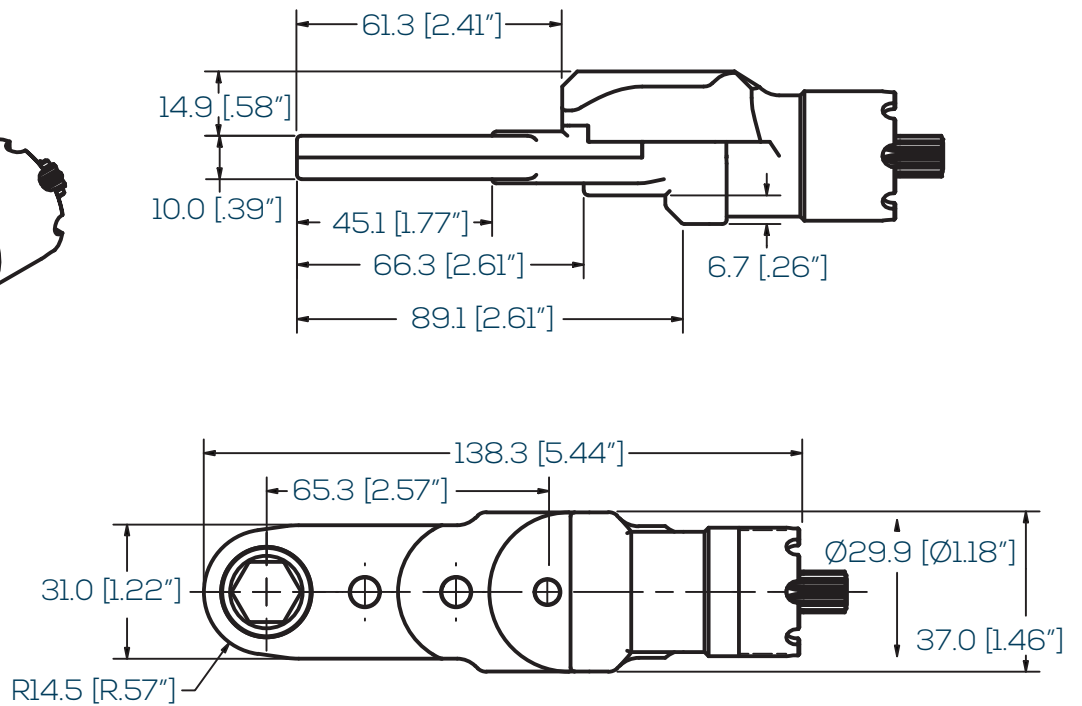
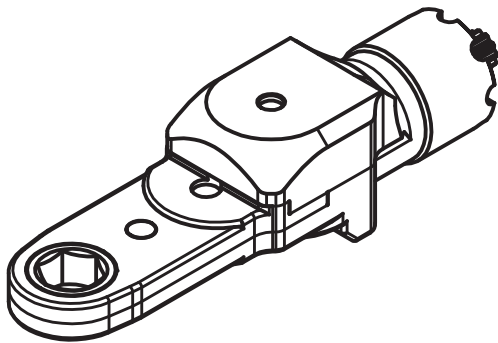
Ordering Number	A1200080
Max Hex Size	10mm 3/8"
Ratio	1.25:1
Efficiency	.75
Max Torque Output	18 Nm 13.3 ft-lbs
Adapter Series	EX3 Interface

CET3-25-14-EX3

Crowfoot Head

Torque Control

**Max Torque:
25 Nm / 18.4 ft-lbs**



Specifications

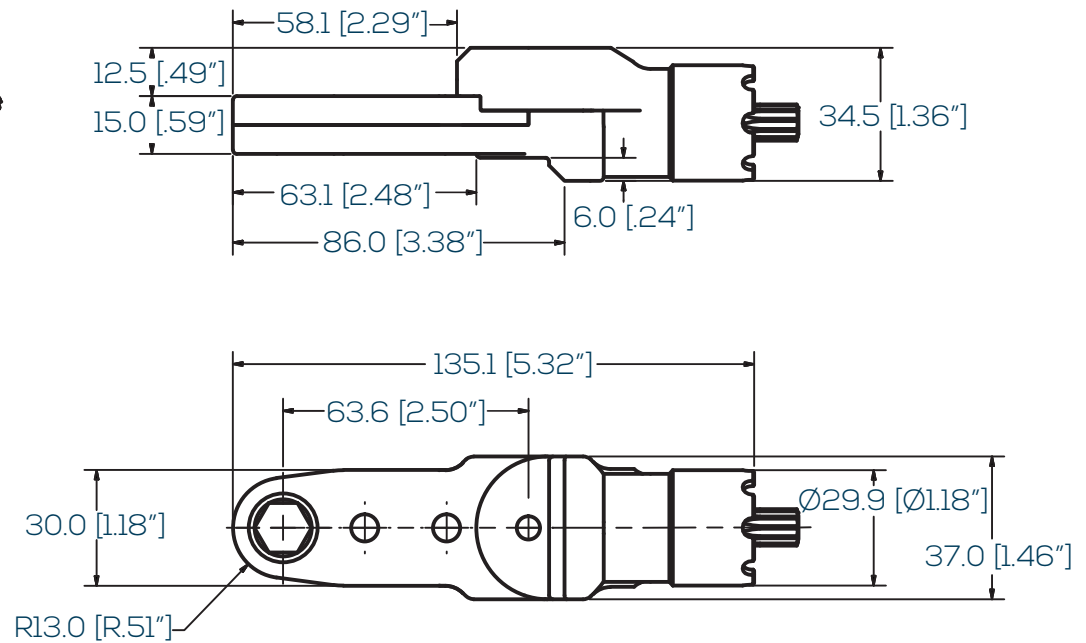
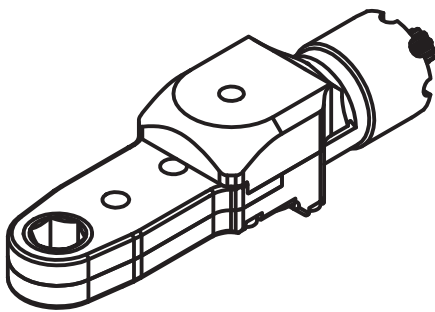
Ordering Number	A1200068
Max Hex Size	14mm 9/16"
Ratio	1.677:1
Efficiency	.75
Max Torque Output	25 Nm 18.4 ft-lbs
Adapter Series	EX3 Interface

CET3-30-13-EX3

Crowfoot Head

Torque Control

Max Torque:
30 Nm / 22.1 ft-lbs



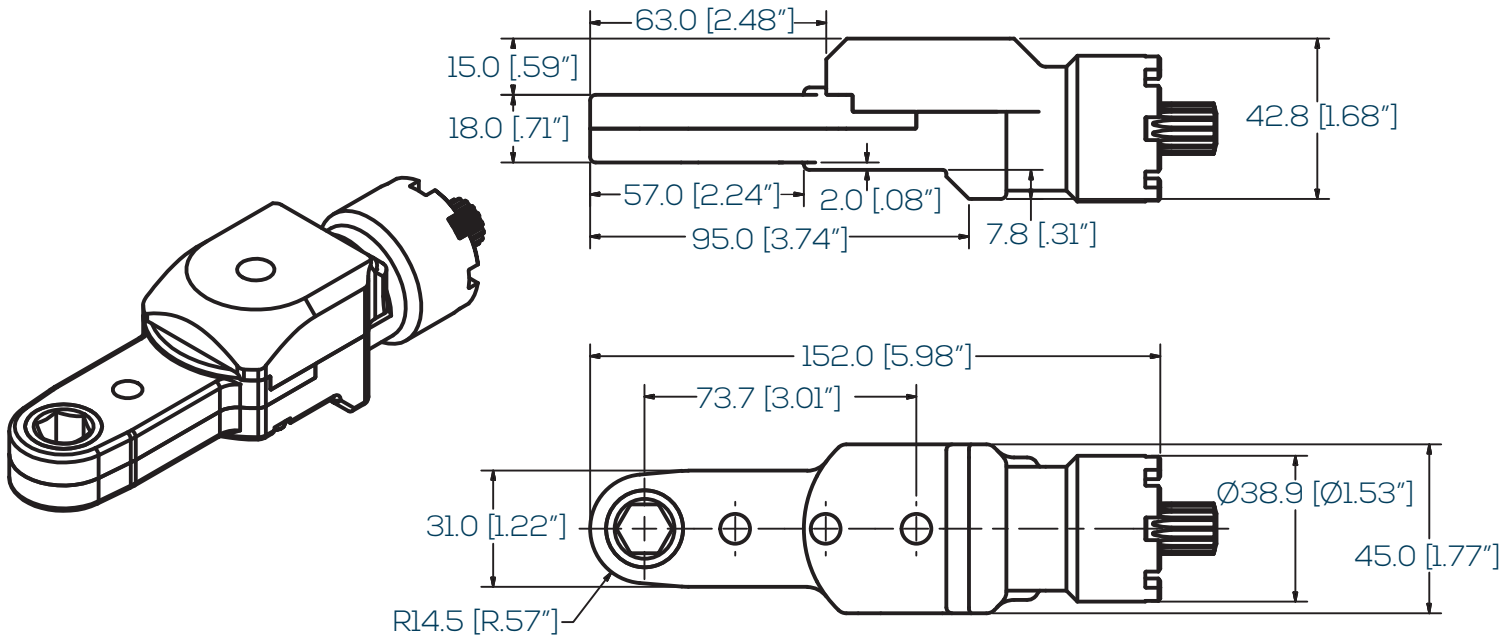
Specifications

Ordering Number	A1200036
Max Hex Size	13mm 1/2"
Ratio	1.4375:1
Efficiency	.75
Max Torque Output	30 Nm 22.1 ft-lbs
Adapter Series	EX3 Interface

CET3-50-14-EX4

Inline Crowfoot Attachment

**Max Torque:
50 Nm / 36.8 ft-lbs**



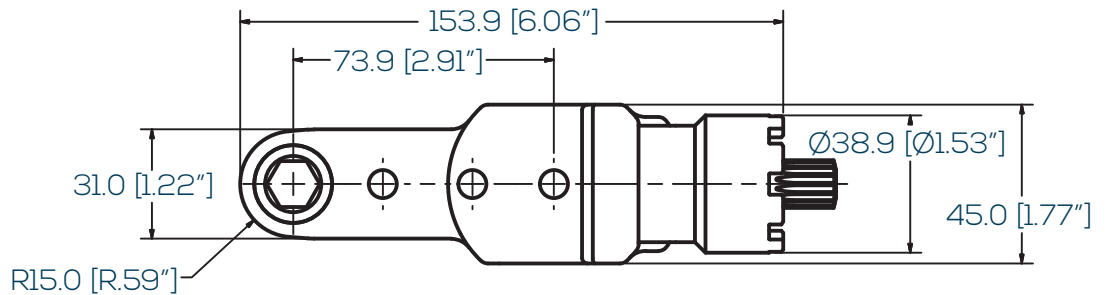
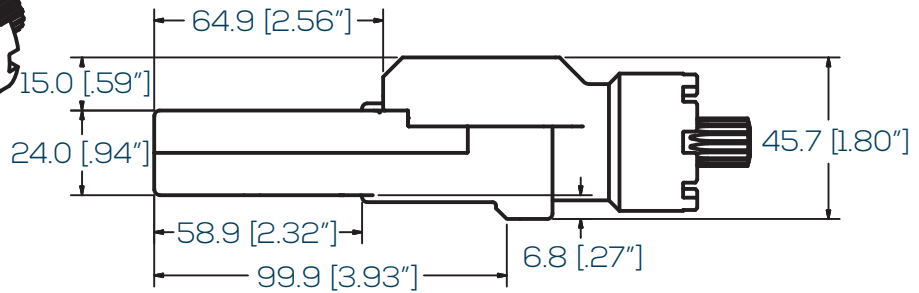
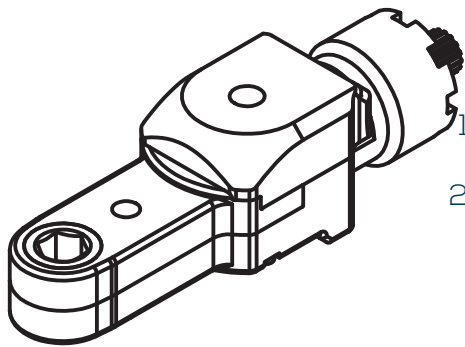
Specifications

Ordering Number	A1200038
Max Hex Size	14mm 9/16"
Ratio	1.476:1
Efficiency	.75
Max Torque Output	50 Nm 36.8 ft-lbs
Adapter Series	EX4 Interface

CET3-65-16-EX4

Inline Crowfoot Attachment

**Max Torque:
65 Nm / 47.9 ft-lbs**



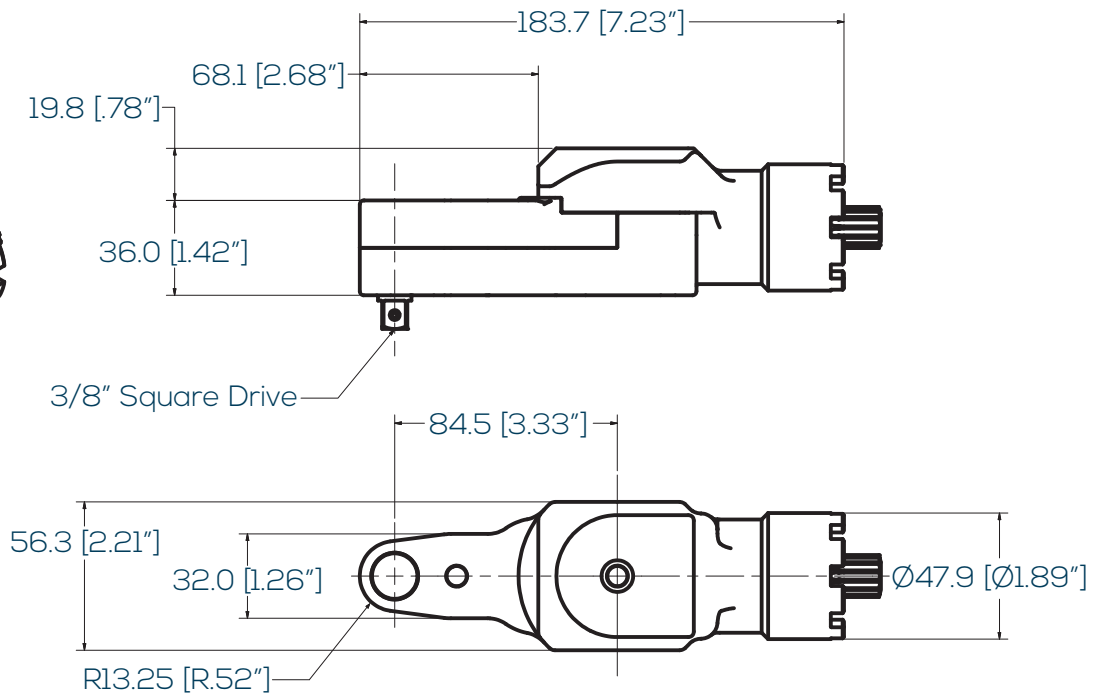
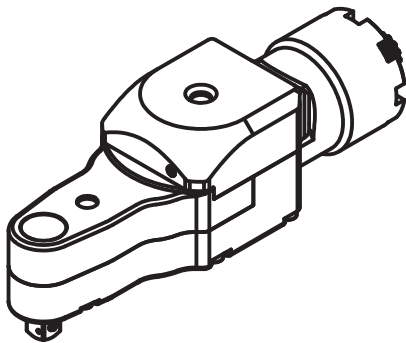
Specifications

Ordering Number	A1200065
Max Hex Size	16mm 5/8"
Ratio	1.81:1
Efficiency	.75
Max Torque Output	65 Nm 47.9 ft-lbs
Adapter Series	EX4 Interface

CET3-85-12-EX5

Inline Crowfoot Attachment

**Max Torque:
85 Nm / 62.6 ft-lbs**



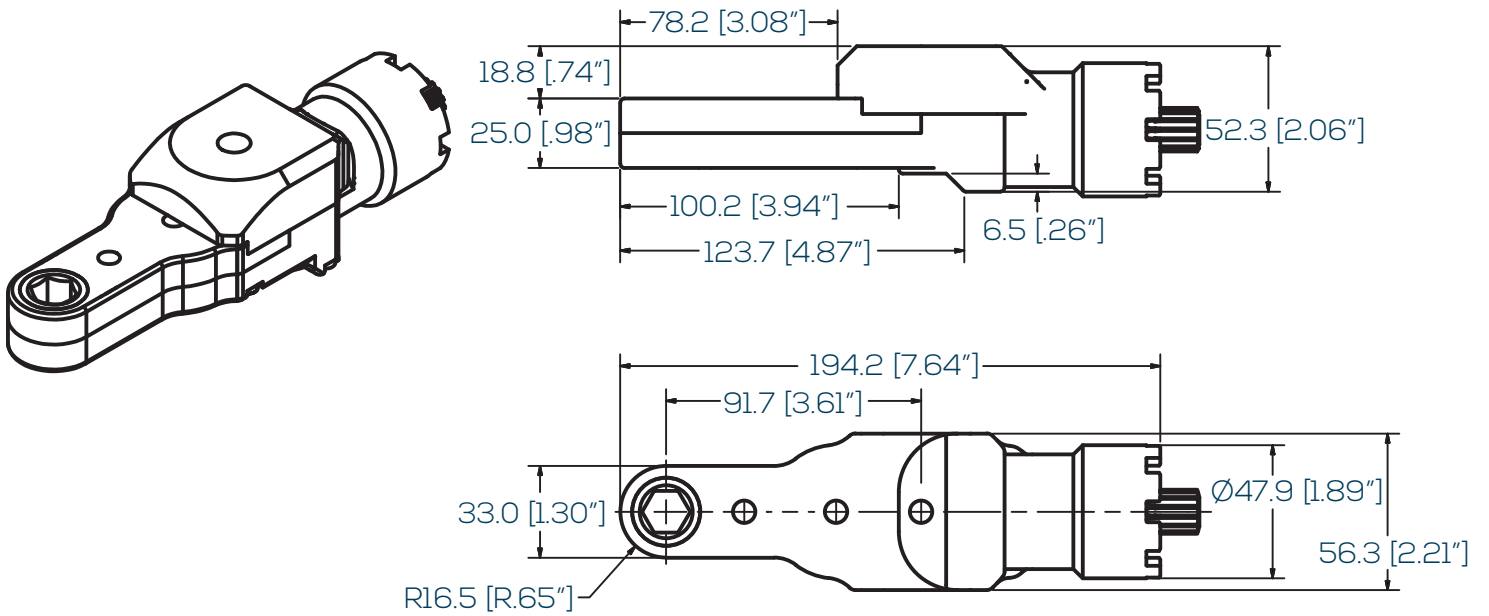
Specifications

Ordering Number	A1200082
Max Hex Size	12mm 1/2"
Ratio	1.529:1
Efficiency	.75
Max Torque Output	85 Nm 62.6 ft-lbs
Adapter Series	EX5 Interface

CET3-85-17-EX5

Inline Crowfoot Attachment

**Max Torque:
85 Nm / 62.6 ft-lbs**



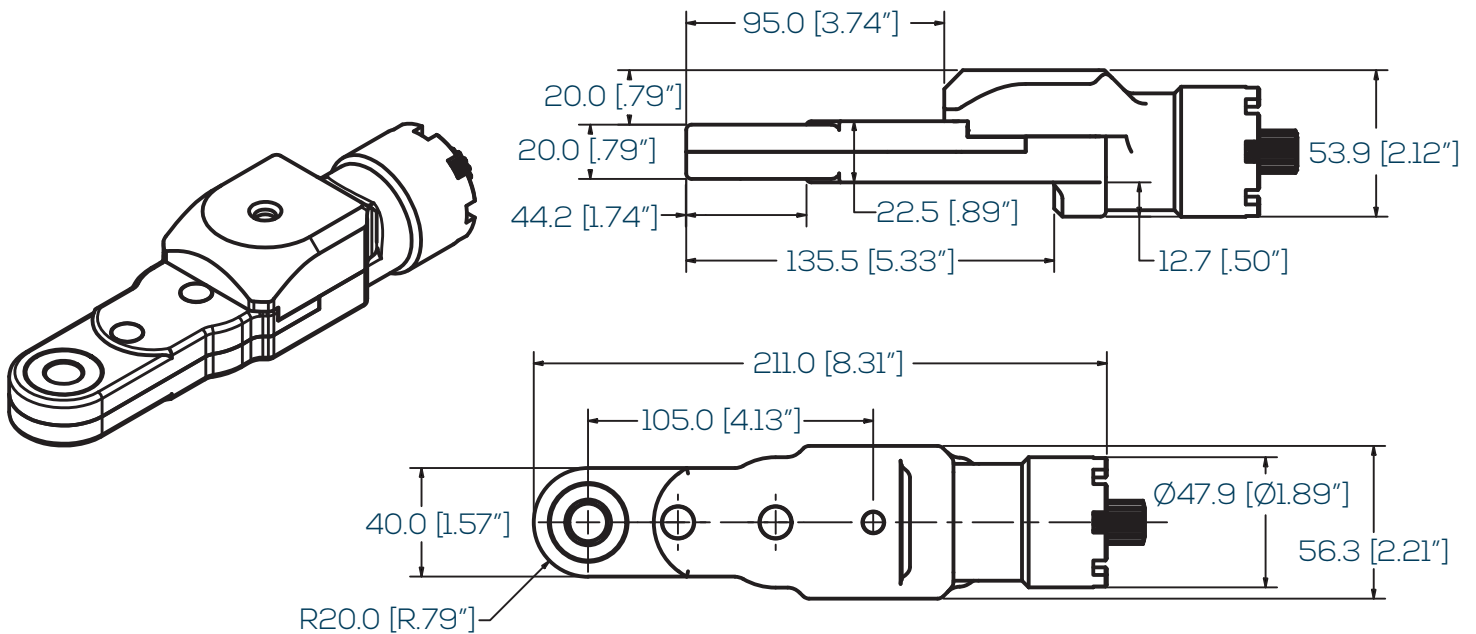
Specifications

Ordering Number	A1200070
Max Hex Size	17mm 11/16"
Ratio	1.98:1
Efficiency	.75
Max Torque Output	85 Nm 62.6 ft-lbs
Adapter Series	EX5 Interface

CET3-90-22-EX5

Inline Crowfoot Attachment

**Max Torque:
90 Nm / 66.3 ft-lbs**



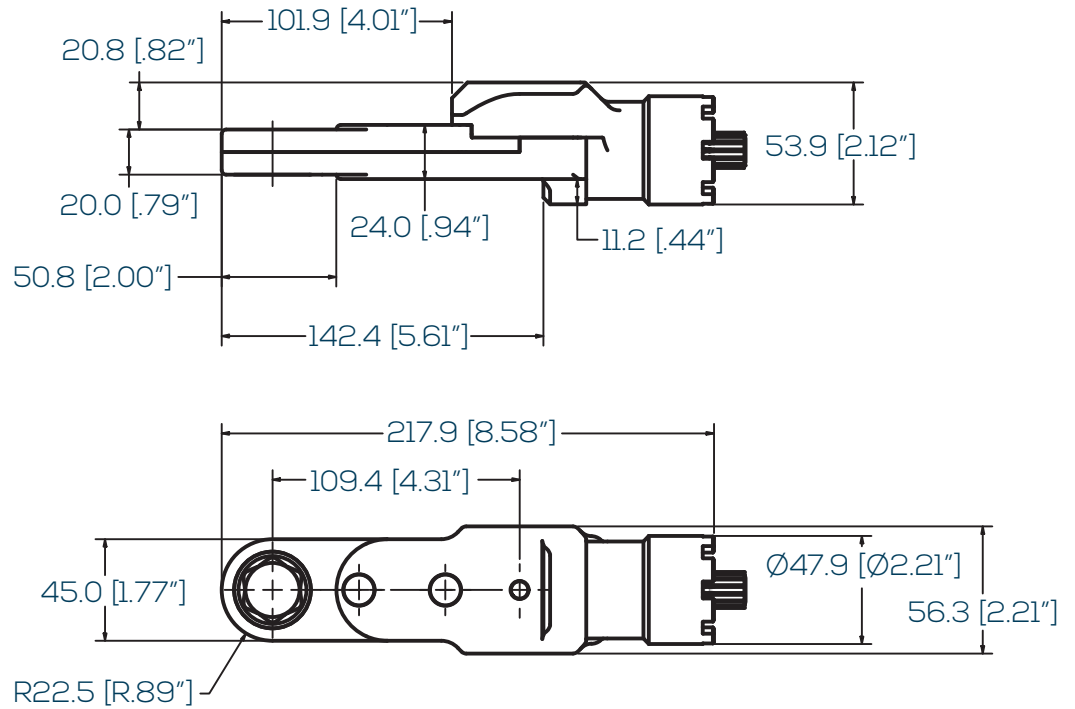
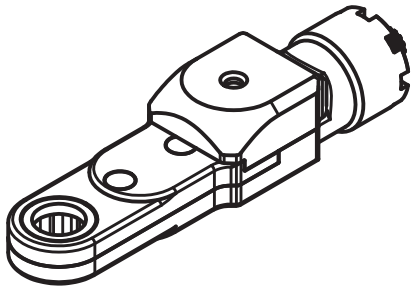
Specifications

Ordering Number	A1200066
Max Hex Size	22mm 7/8"
Ratio	1.619:1
Efficiency	.75
Max Torque Output	90 Nm 66.3 ft-lbs
Adapter Series	EX5 Interface

CET3-105-24-EX5

Inline Crowfoot Attachment

**Max Torque:
105 Nm / 77.4 ft-lbs**



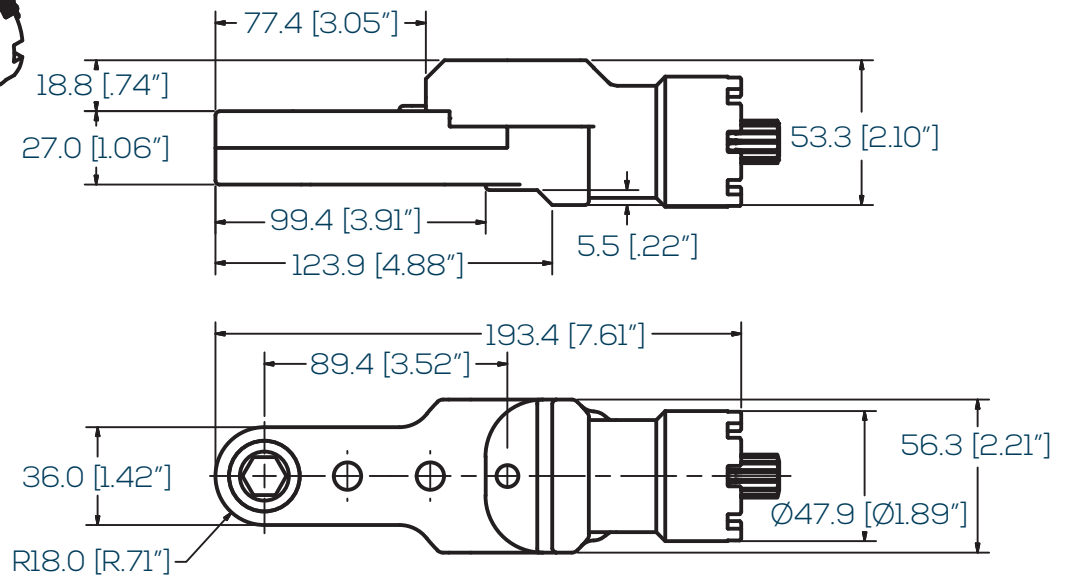
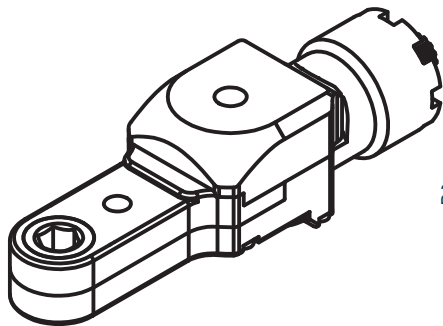
Specifications

Ordering Number	A1200077
Max Hex Size	24mm 15/16"
Ratio	2.25:1
Efficiency	.75
Max Torque Output	105 Nm 77.4 ft-lbs
Adapter Series	EX5 Interface

CET3-110-19-EX5

Inline Crowfoot Attachment

**Max Torque:
110 Nm / 81.1 ft-lbs**



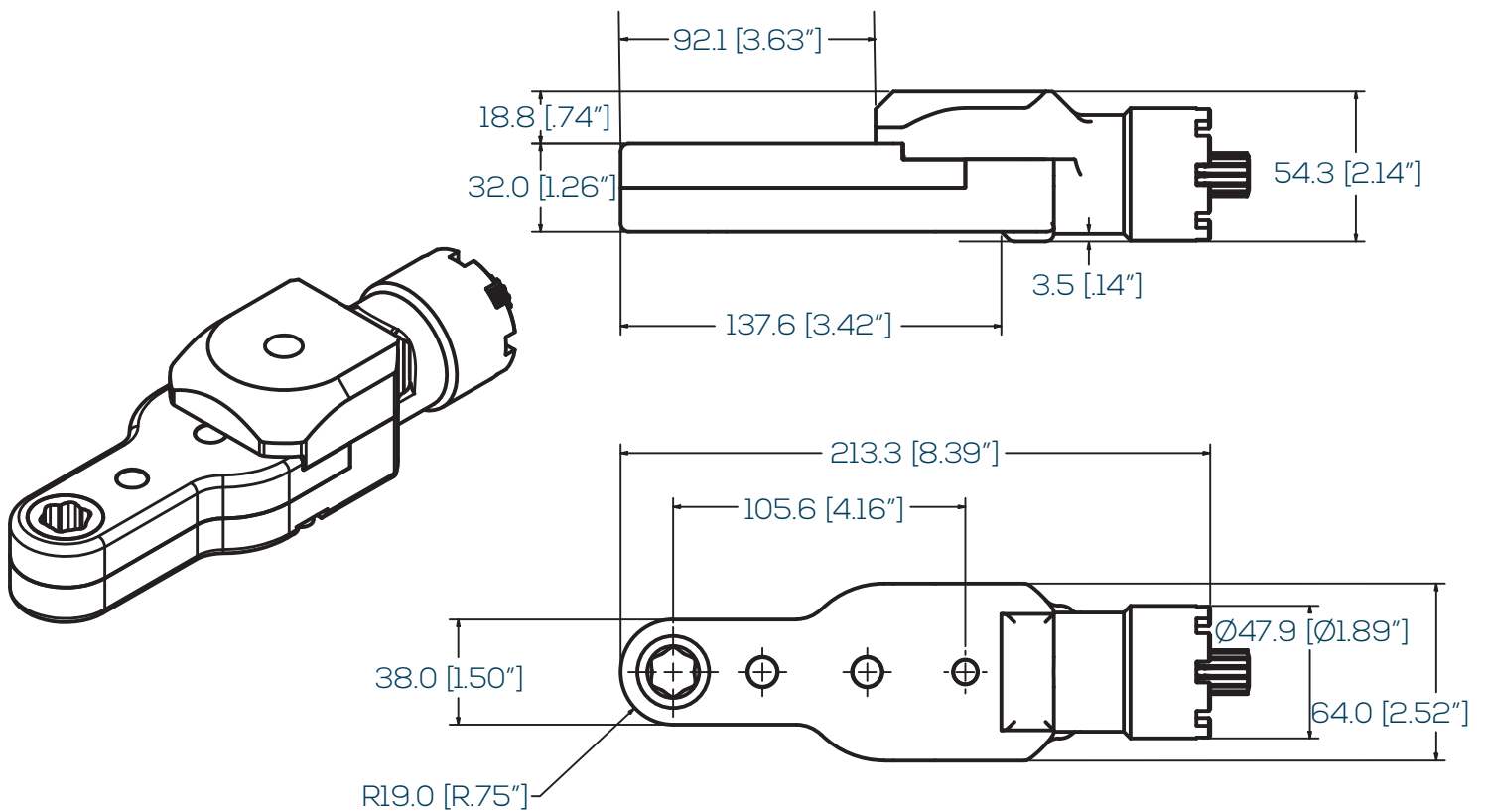
Specifications

Ordering Number	A1200072
Max Hex Size	19mm 3/4"
Ratio	1.905:1
Efficiency	.75
Max Torque Output	110 Nm 81.1 ft-lbs
Adapter Series	EX5 Interface

CET3-135-19-EX5

Inline Crowfoot Attachment

**Max Torque:
135 Nm / 99.6 ft-lbs**



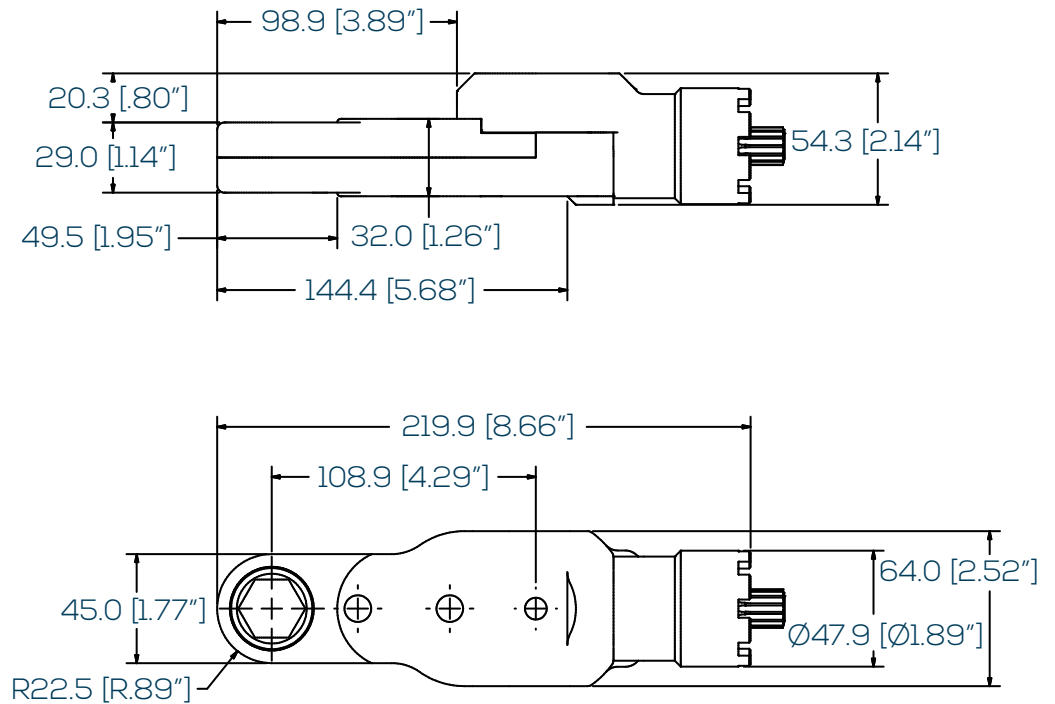
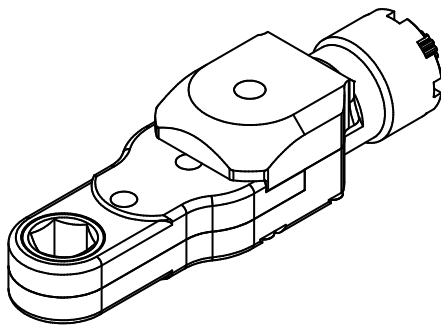
Specifications

Ordering Number	A1200054
Max Hex Size	19mm 3/4"
Ratio	1.941:1
Efficiency	.75
Max Torque Output	135 Nm 99.6 ft-lbs
Adapter Series	EX5 Interface

CET3-165-24-EX5

Inline Crowfoot Attachment

**Max Torque:
165 Nm / 121.7 ft-lbs**



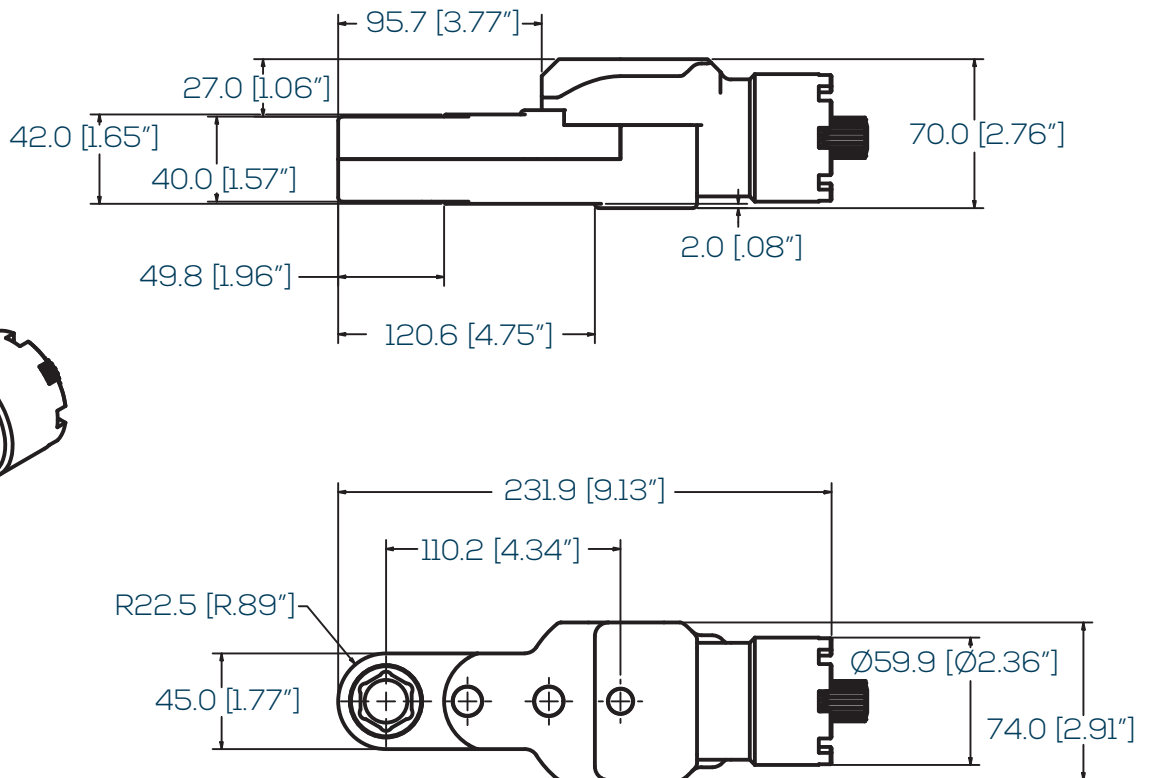
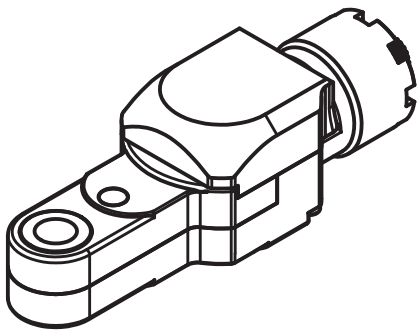
Specifications

Ordering Number	A1200097
Max Hex Size	24mm 15/16"
Ratio	2.329:1
Efficiency	.75
Max Torque Output	165 Nm 121.7 ft-lbs
Adapter Series	EX5 Interface

CET3-215-24-EX6

Inline Crowfoot Attachment

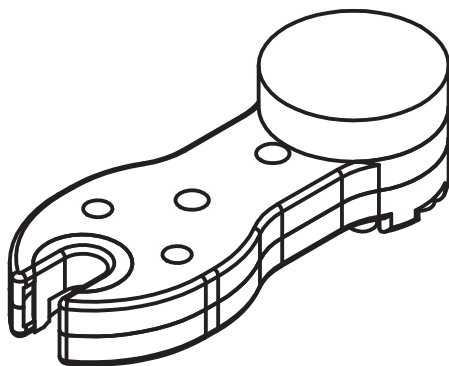
**Max Torque:
215 Nm / 158.6 ft-lbs**



Specifications

Ordering Number	A1200074
Max Hex Size	24mm 15/16"
Ratio	2.00:1
Efficiency	.75
Max Torque Output	215 Nm 158.6 ft-lbs
Adapter Series	EX6 Interface

Tubenut Attachments



Features & Benefits

- Split Housing Design - Allows for strong “I Beam” type construction to minimize deflection under load.
- Optimized Materials and Heat Treatment - Provides high durability.
- Bearing Construction - Needle bearing support for input and idler gears.
- Stepped and Threaded Axles - Allows for mounting of multiple accessories, positive containment of gear axles eliminate axle movement.
- Modular Adapter System - Provides common interfaces between multiple product groups
- Attachment Orientation - Provides for multiple orientations on power tool output drives
- Output Drives - Multiple socket profiles available
- Accuracy +/- 15%

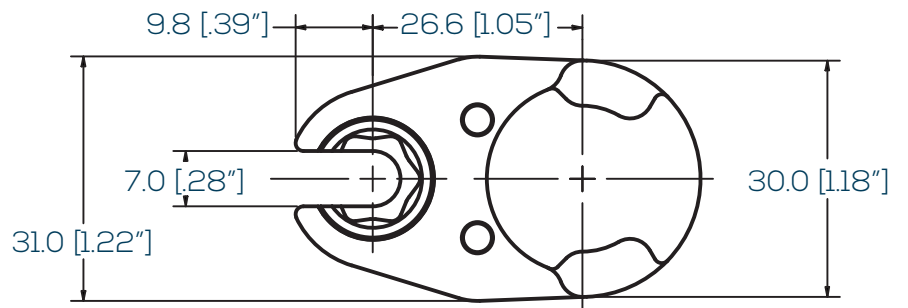
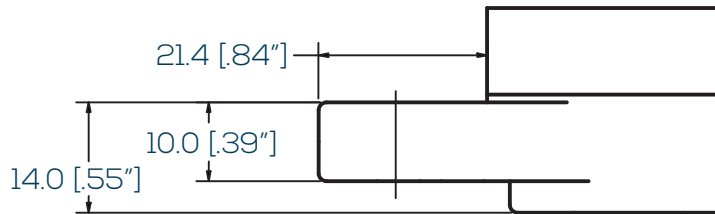
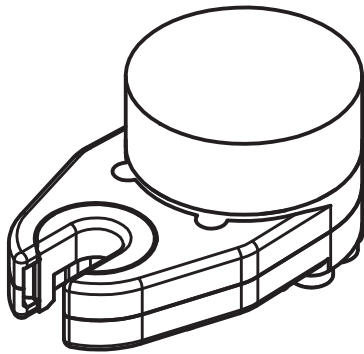
Maintenance & Service

- Traceability - Model number and serial number engraved on each attachment.
- Torx Head Cap Screws - Allows for more positive engagement than traditional fasteners
- Lubrication - External grease fittings allows for preventative maintenance.
- Parts List - Allows for ease of ordering spare/replacement parts; Supplied with all attachments

OE2-12-10-E42

Tubenut Attachment

**Max Torque:
12 Nm / 106 ft-lbs**



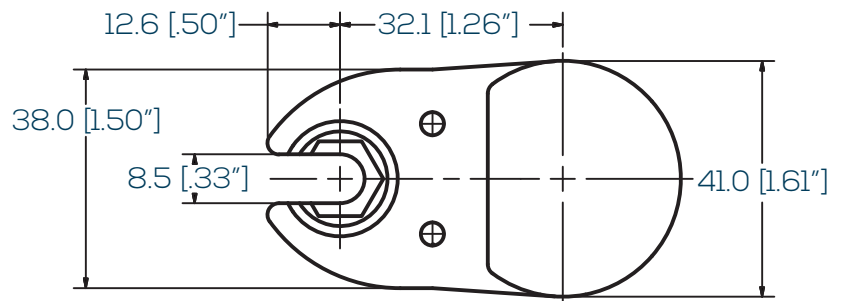
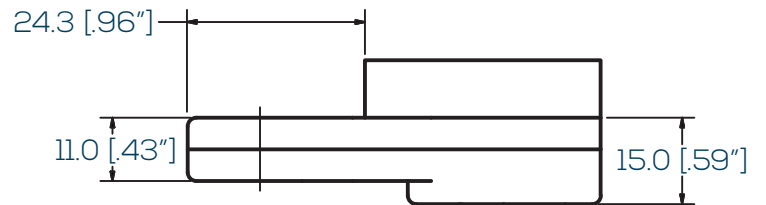
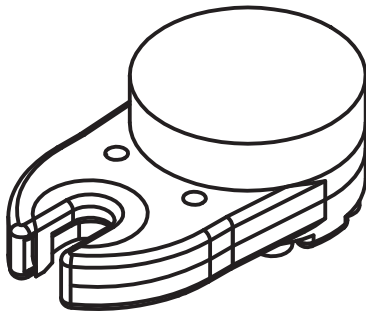
Specifications

Ordering Number	A1300037
Max Hex Size	10mm 3/8"
Ratio	1:1
Efficiency	.75
Max Torque Output	12 Nm 8.8 ft-lbs
Adapter Series	E42 Interface
Input Drive	3/8" Square Drive

OE2-18-14-E54

Tubenut Attachment

**Max Torque:
18 Nm / 13.2 ft-lbs**



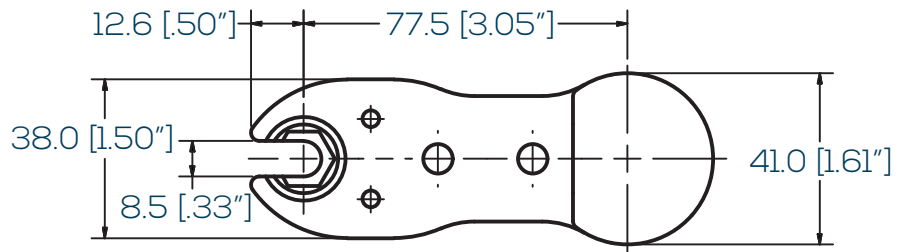
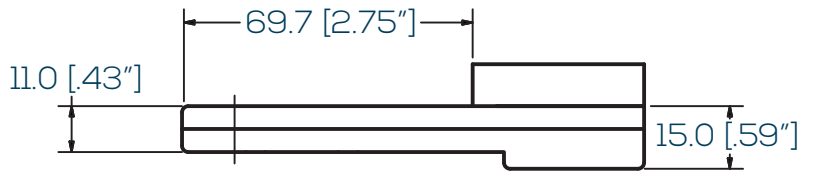
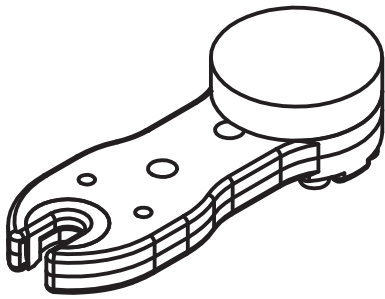
Specifications

Ordering Number	A1300031
Max Hex Size	14mm 9/16"
Ratio	1:1
Efficiency	.75
Max Torque Output	18 Nm 13.2 ft-lbs
Adapter Series	E54 Interface
Input Drive	1/2" Square Drive

OE4-18-14-E54

Tube Nut Attachment

**Max Torque:
18 Nm / 13.2 ft-lbs**



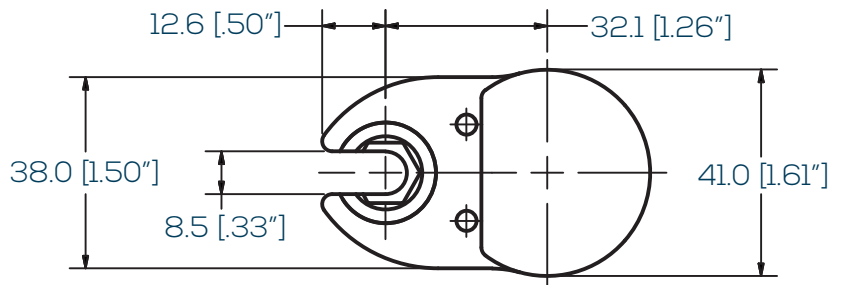
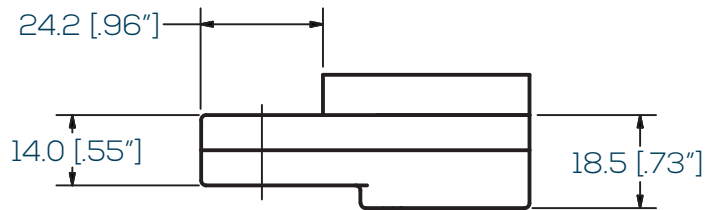
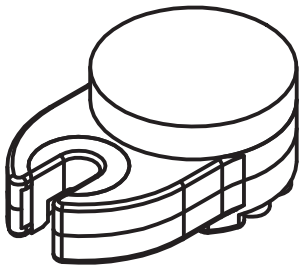
Specifications

Ordering Number	A1300032
Max Hex Size	14mm 9/16"
Ratio	1:1
Efficiency	.65
Max Torque Output	18 Nm 13.2 ft-lbs
Adapter Series	E54 Interface
Input Drive	1/2" Square Drive

OE2-27-14-E54

Tubenut Attachment

**Max Torque:
27 Nm / 19.9 ft-lbs**



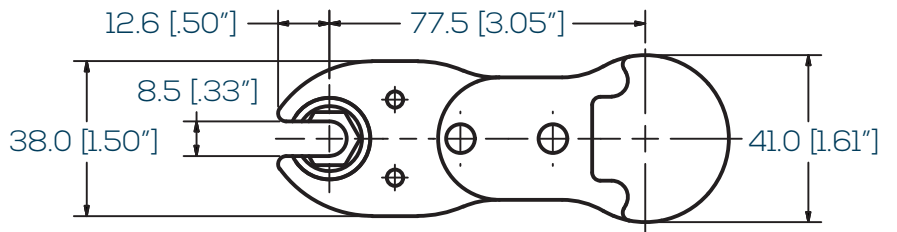
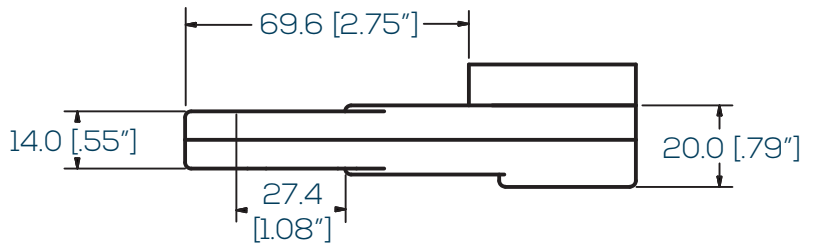
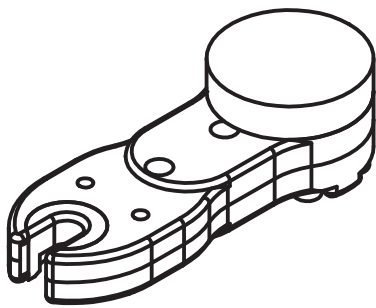
Specifications

Ordering Number	A1300011
Max Hex Size	14mm 9/16"
Ratio	1:1
Efficiency	.75
Max Torque Output	27 Nm 19.9 ft-lbs
Adapter Series	E54 Interface
Input Drive	1/2" Square Drive

OE4-27-14-E54

Tube Nut Attachment

**Max Torque:
27 Nm / 19.9 ft-lbs**



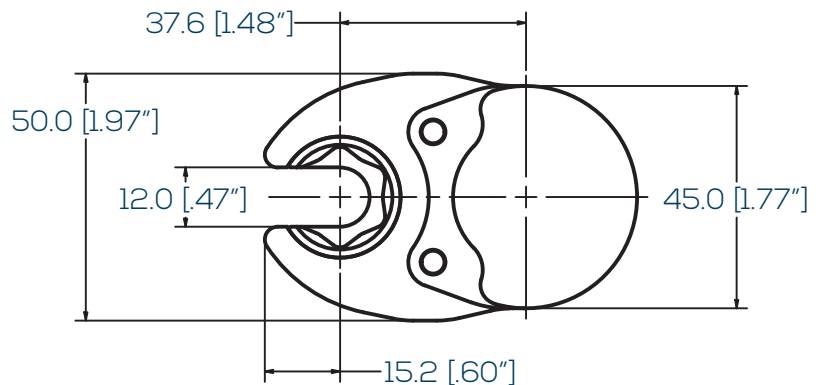
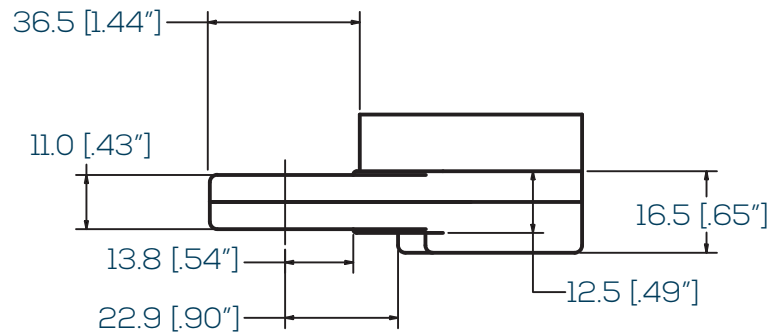
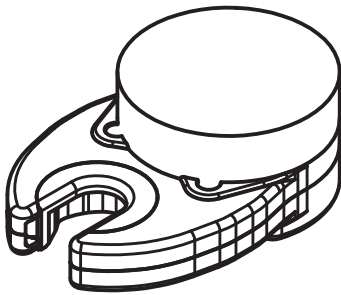
Specifications

Ordering Number	A1300009
Max Hex Size	14mm 9/16"
Ratio	1:1
Efficiency	.65
Max Torque Output	27 Nm 19.9 ft-lbs
Adapter Series	E54 Interface
Input Drive	1/2" Square Drive

OE2-29-17-E64

Tube Nut Attachment

**Max Torque:
29 Nm / 21.7 ft-lbs**



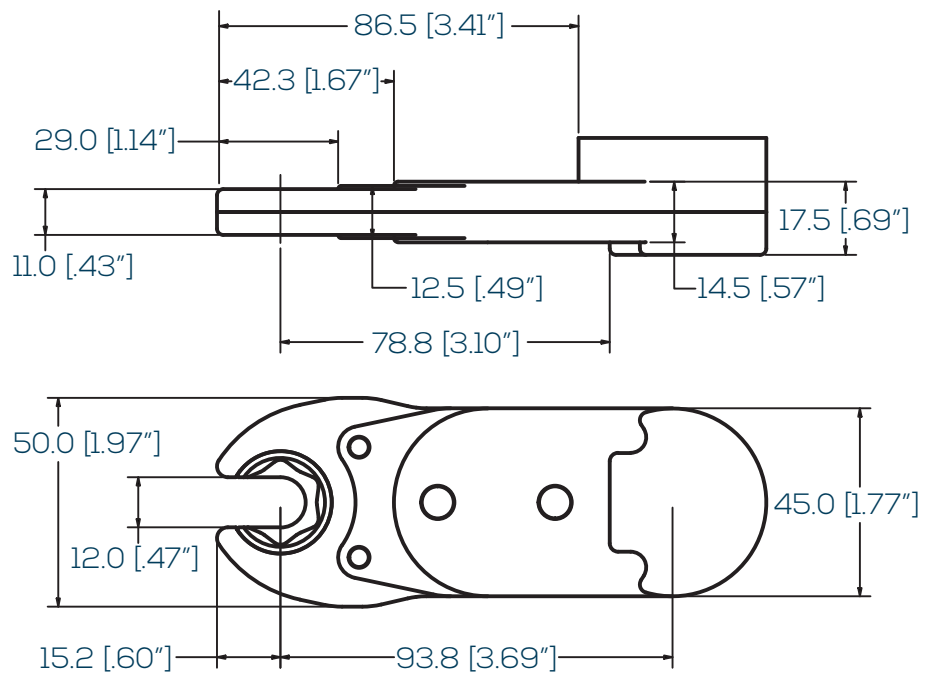
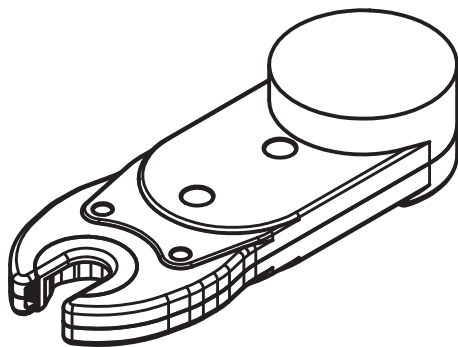
Specifications

Ordering Number	A1300035
Max Hex Size	17mm 11/16"
Ratio	1:1
Efficiency	.75
Max Torque Output	29 Nm 21.7 ft-lbs
Adapter Series	E64 Interface
Input Drive	1/2" Square Drive

OE4-29-17-E64

Tubenut Attachment

**Max Torque:
29 Nm / 21.7 ft-lbs**



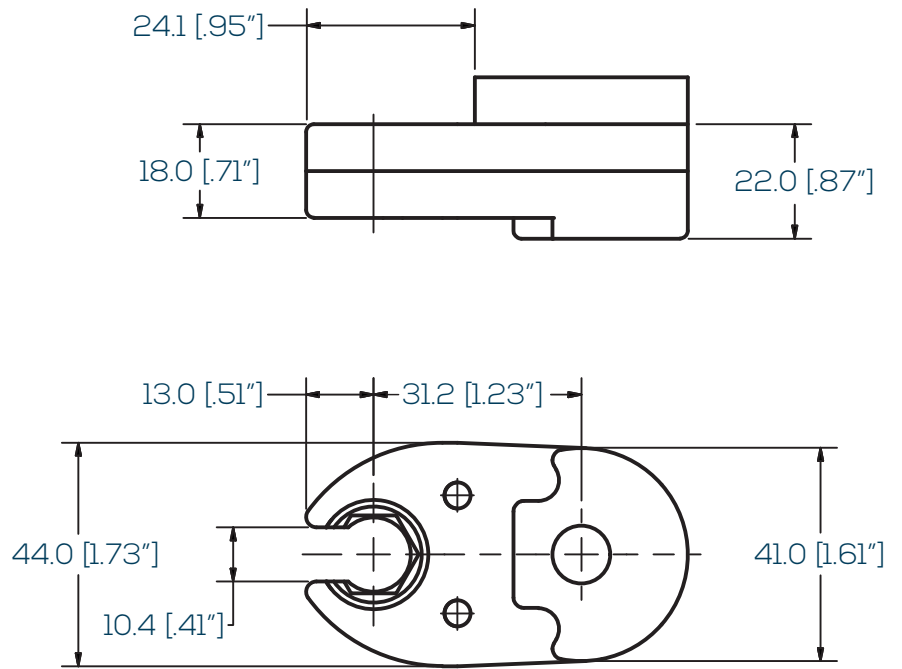
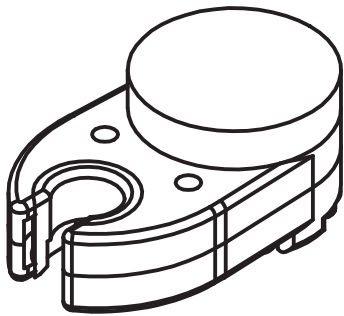
Specifications

Ordering Number	A1300036
Max Hex Size	17mm 11/16"
Ratio	1:1
Efficiency	.65
Max Torque Output	29 Nm 21.7 ft-lbs
Adapter Series	E64 Interface
Input Drive	1/2" Square Drive

OE2-33-15-E54

Tube Nut Attachment

**Max Torque:
33 Nm / 24.3 ft-lbs**



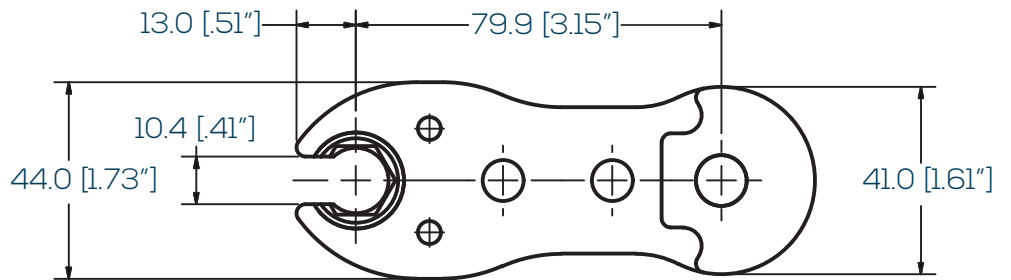
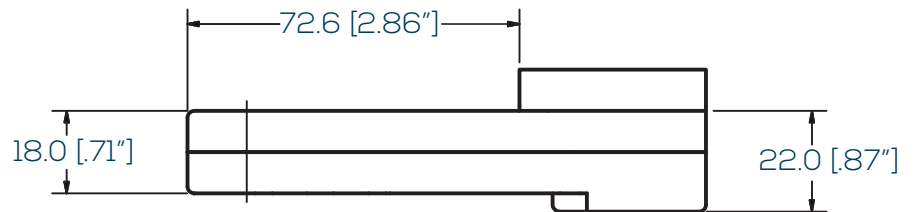
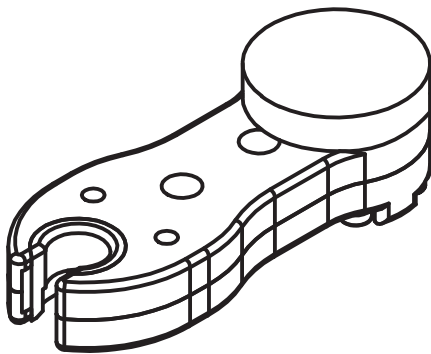
Specifications

Ordering Number	A1300014
Max Hex Size	15mm 9/16"
Ratio	1:1
Efficiency	.75
Max Torque Output	33 Nm 24.3 ft-lbs
Adapter Series	E54 Interface
Input Drive	1/2" Square Drive

OE4-33-15-E54

Tubenut Attachment

**Max Torque:
33 Nm / 24.3 ft-lbs**



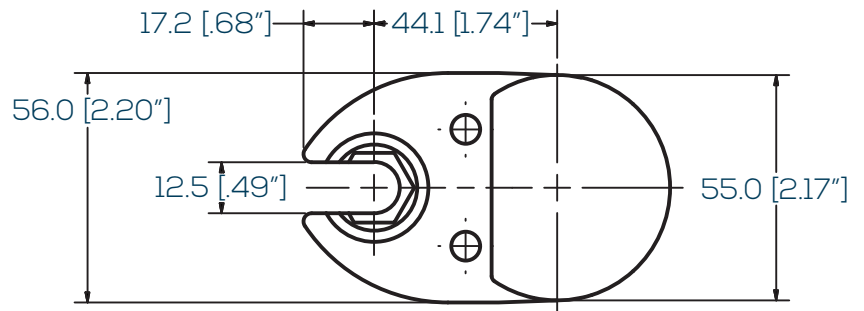
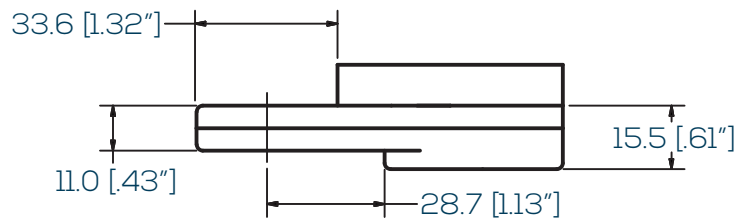
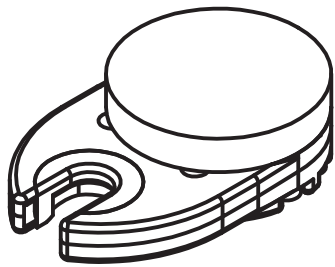
Specifications

Ordering Number	A1300010
Max Hex Size	15mm 9/16"
Ratio	1:1
Efficiency	.65
Max Torque Output	33 Nm 24.3 ft-lbs
Adapter Series	E54 Interface
Input Drive	1/2" Square Drive

OE2-35-19-E74

Tube Nut Attachment

**Max Torque:
35 Nm / 25.8 ft-lbs**



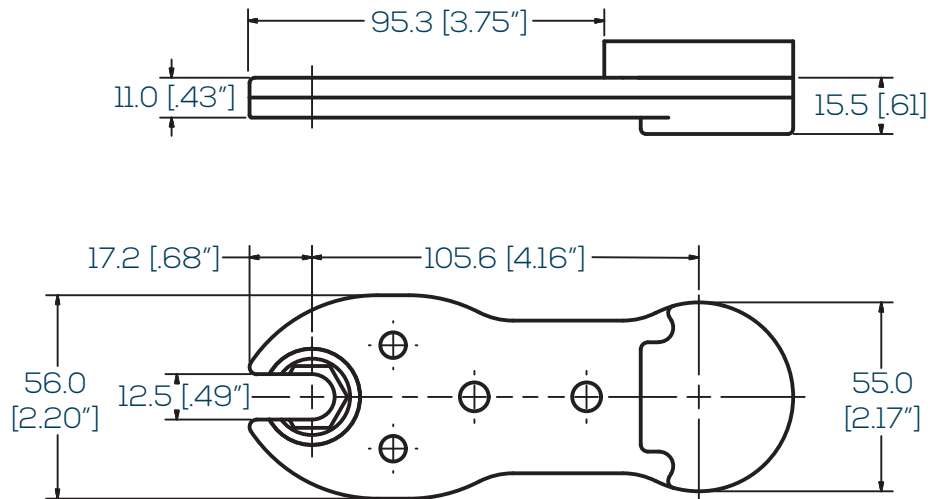
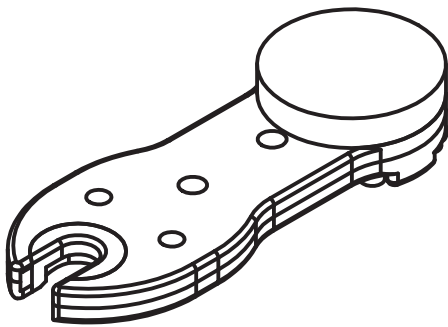
Specifications

Ordering Number	A1300026
Max Hex Size	19mm 3/4"
Ratio	1:1
Efficiency	.75
Max Torque Output	35 Nm 25.8 ft-lbs
Adapter Series	E74 Interface
Input Drive	1/2" Square Drive

OE4-35-19-E74

Tubenut Attachment

**Max Torque:
35 Nm / 25.8 ft-lbs**



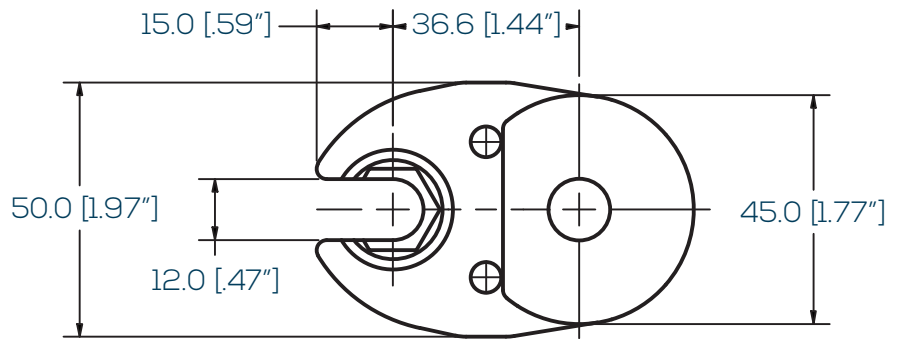
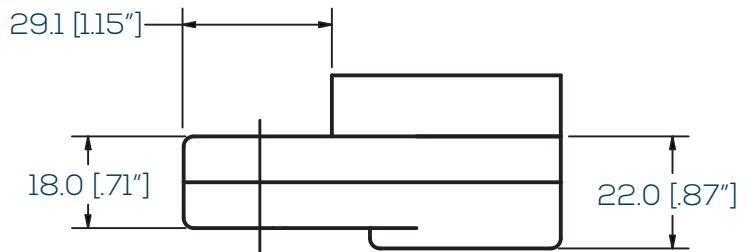
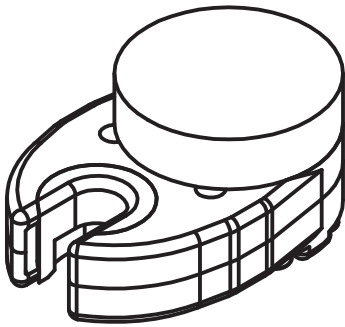
Specifications

Ordering Number	A1300022
Max Hex Size	19mm 3/4"
Ratio	1:1
Efficiency	.65
Max Torque Output	35 Nm 25.8 ft-lbs
Adapter Series	E74 Interface
Input Drive	1/2" Square Drive

OE2-50-17-E64

Tube Nut Attachment

**Max Torque:
50 Nm / 36.8 ft-lbs**



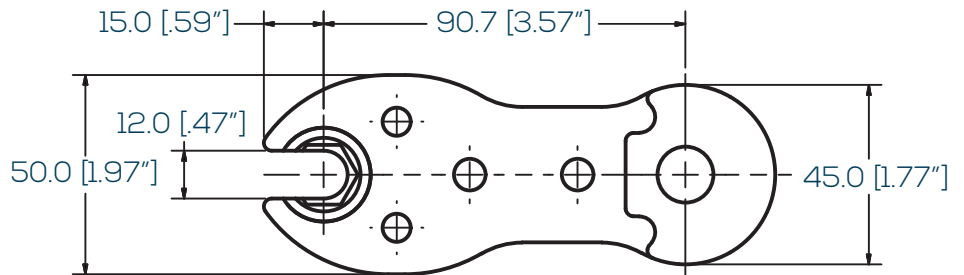
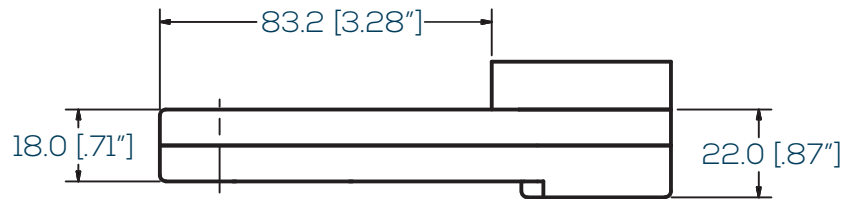
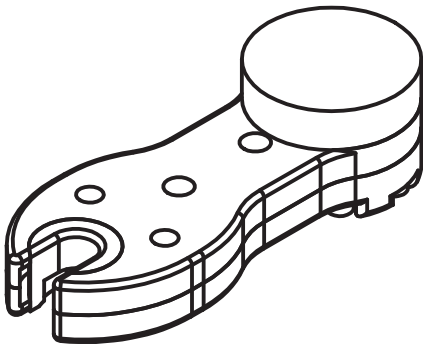
Specifications

Ordering Number	A1300017
Max Hex Size	17mm 11/16"
Ratio	1:1
Efficiency	.75
Max Torque Output	50 Nm 36.8 ft-lbs
Adapter Series	E64 Interface
Input Drive	1/2" Square Drive

OE4-50-17-E64

Tubenut Attachment

**Max Torque:
50 Nm / 36.8 ft-lbs**



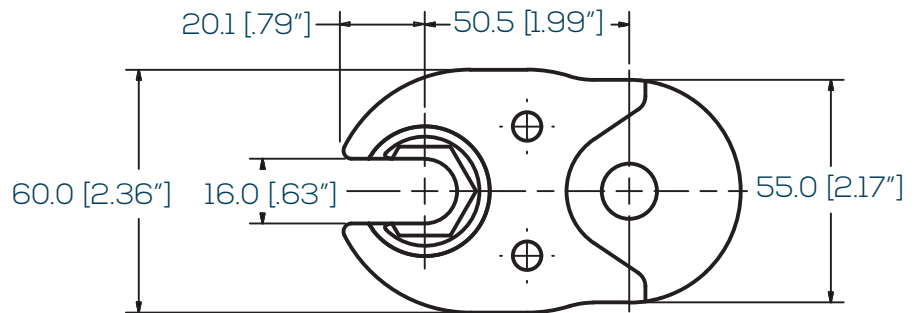
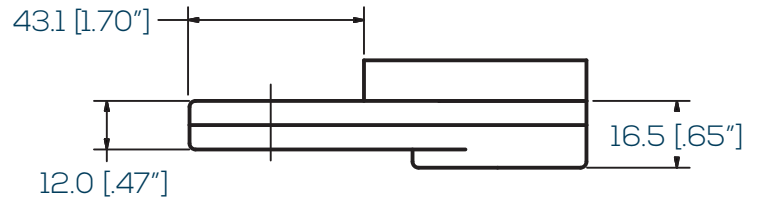
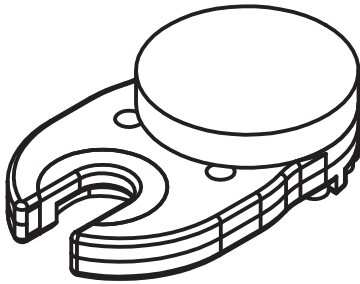
Specifications

Ordering Number	A1300019
Max Hex Size	17mm 11/16"
Ratio	1:1
Efficiency	.65
Max Torque Output	50 Nm 36.8 ft-lbs
Adapter Series	E64 Interface
Input Drive	1/2" Square Drive

OE2-55-24-E74

Tube Nut Attachment

**Max Torque:
55 Nm / 40.5 ft-lbs**



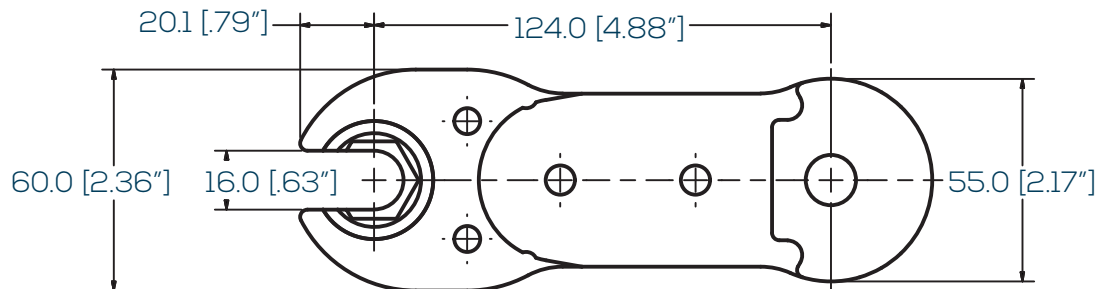
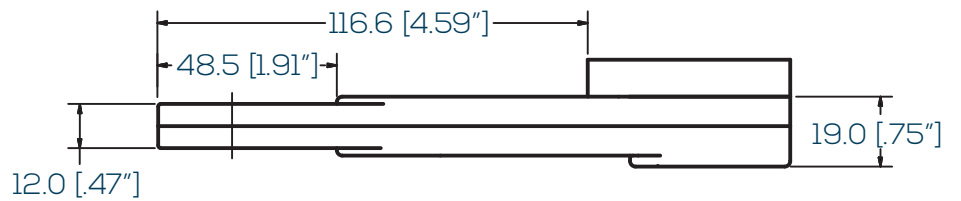
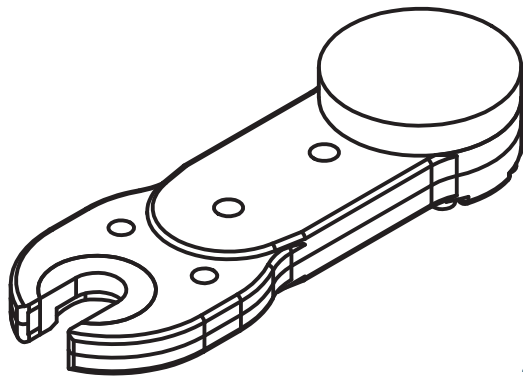
Specifications

Ordering Number	AI300013
Max Hex Size	24mm 15/16"
Ratio	1:1
Efficiency	.75
Max Torque Output	55 Nm 40.5 ft-lbs
Adapter Series	E74 Interface
Input Drive	1/2" Square Drive

OE4-55-24-E74

Tubenut Attachment

**Max Torque:
55 Nm / 40.5 ft-lbs**



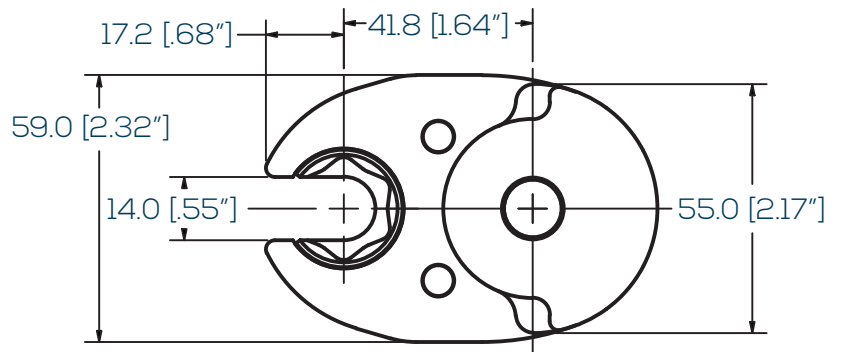
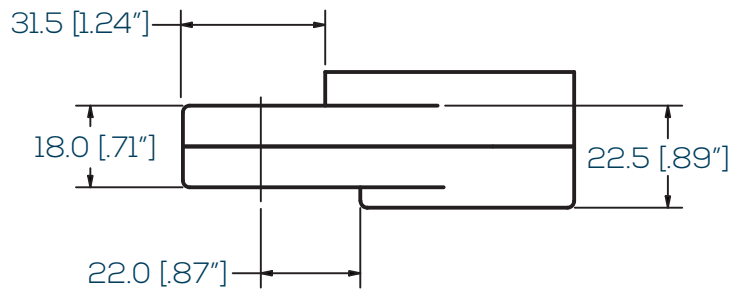
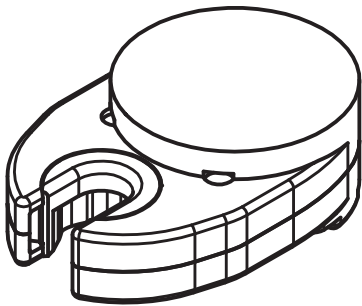
Specifications

Ordering Number	A1300016
Max Hex Size	24mm 15/16"
Ratio	1:1
Efficiency	.65
Max Torque Output	55 Nm 40.5 ft-lbs
Adapter Series	E74 Interface
Input Drive	1/2" Square Drive

OE2-60-19-E74

Tubenut Attachment

**Max Torque:
60 Nm / 44.3 ft-lbs**



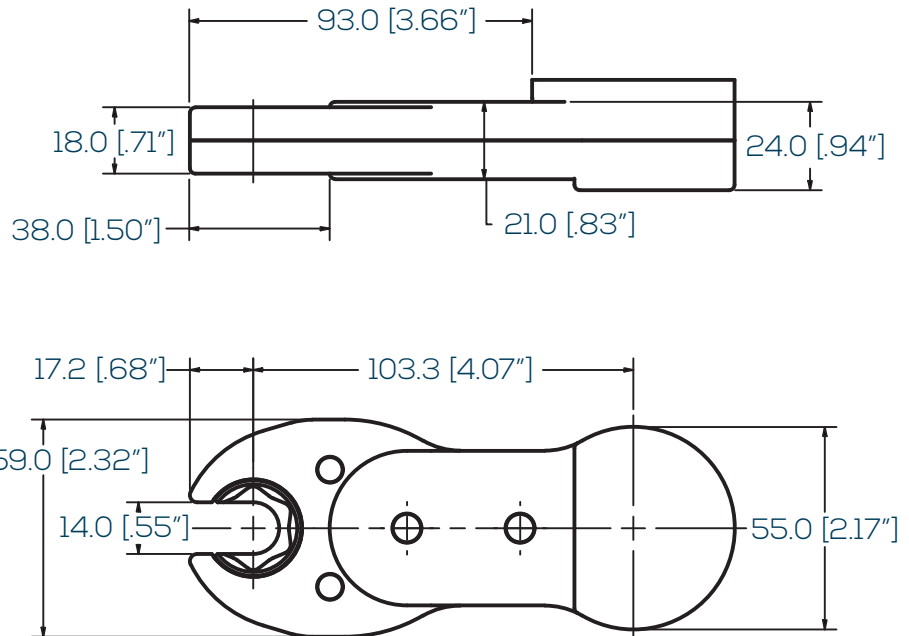
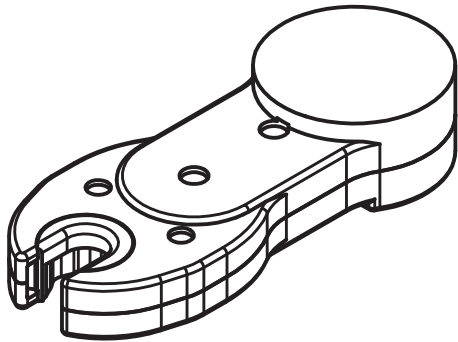
Specifications

Ordering Number	A1300024
Max Hex Size	19mm 3/4"
Ratio	1:1
Efficiency	.75
Max Torque Output	60 Nm 44.3 ft-lbs
Adapter Series	E74 Interface
Input Drive	1/2" Square Drive

OE4-60-19-E74

Tubenut Attachment

**Max Torque:
60 Nm / 44.3 ft-lbs**



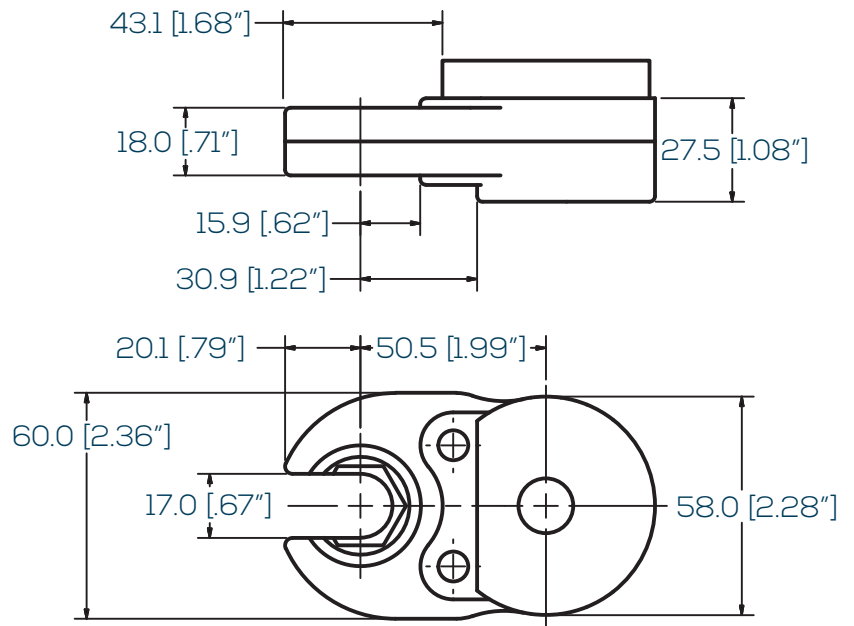
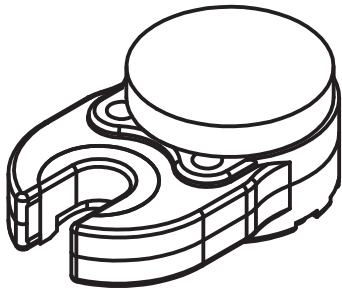
Specifications

Ordering Number	A1300025
Max Hex Size	19mm 3/4"
Ratio	1:1
Efficiency	.65
Max Torque Output	60 Nm 44.3 ft-lbs
Adapter Series	E74 Interface
Input Drive	1/2" Square Drive

OE2-80-24-E74

Tubenut Attachment

**Max Torque:
80 Nm / 59 ft-lbs**



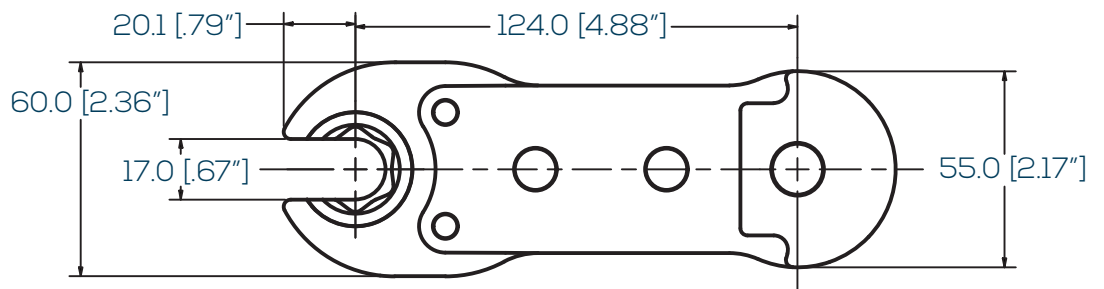
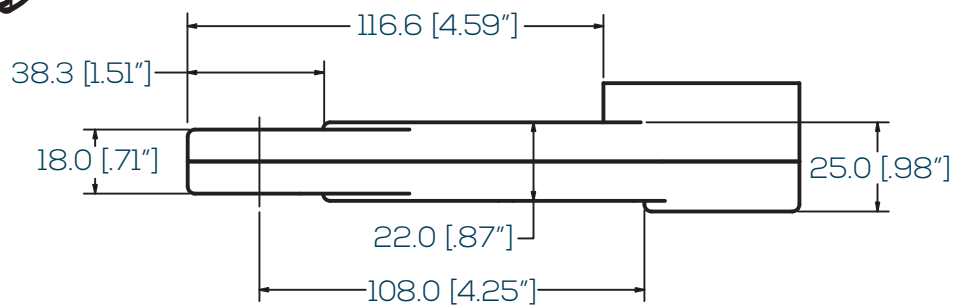
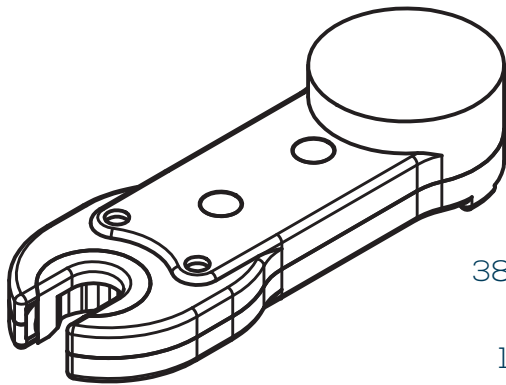
Specifications

Ordering Number	A1300038
Max Hex Size	24mm 15/16"
Ratio	1:1
Efficiency	.75
Max Torque Output	80 Nm 59 ft-lbs
Adapter Series	E74 Interface
Input Drive	1/2" Square Drive

OE4-80-24-E74

Tubenut Attachment

**Max Torque:
80 Nm / 59 ft-lbs**



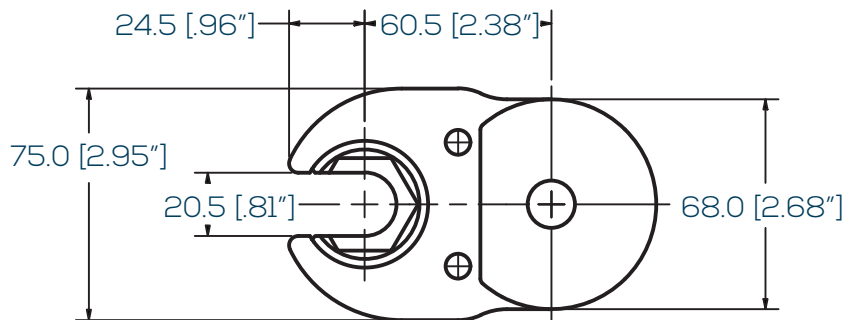
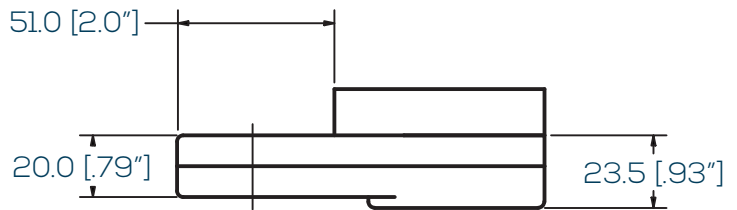
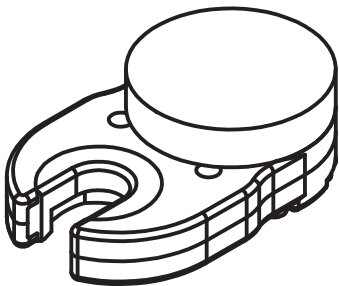
Specifications

Ordering Number	A1300020
Max Hex Size	24mm 15/16"
Ratio	1:1
Efficiency	.65
Max Torque Output	80 Nm 59 ft-lbs
Adapter Series	E74 Interface
Input Drive	1/2" Square Drive

OE2-110-32-E84

Tubenut Attachment

**Max Torque:
110 Nm / 81 ft-lbs**



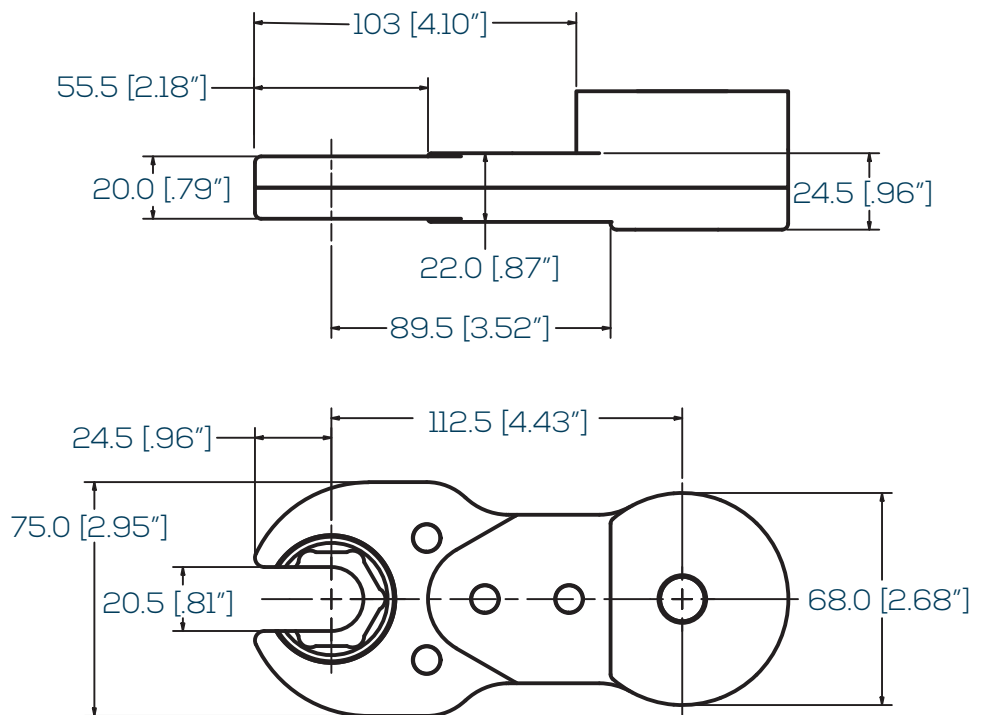
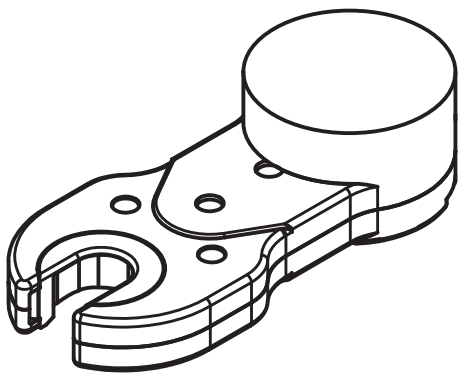
Specifications

Ordering Number	A1300027
Max Hex Size	32mm 1 1/4"
Ratio	1:1
Efficiency	.75
Max Torque Output	110 Nm 81 ft-lbs
Adapter Series	E84 Interface
Input Drive	3/4" Square Drive

OE4-110-32-E84

Tubenut Attachment

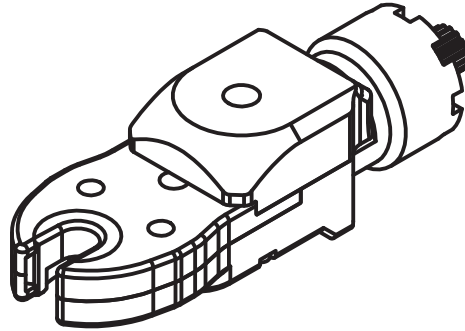
**Max Torque:
110 Nm / 81 ft-lbs**



Specifications

Ordering Number	A1300029
Max Hex Size	32mm 1 1/4"
Ratio	1:1
Efficiency	.65
Max Torque Output	110 Nm 81 ft-lbs
Adapter Series	E84 Interface
Input Drive	3/4" Square Drive

Inline Tubenut Attachments



Features & Benefits

- Split Housing Design - Allows for strong "I Beam" type construction to minimize deflection under load.
- Optimized Materials and Heat Treatment - Provides high durability.
- Bearing Construction - Needle bearing support for input and idler gears.
- Stepped and Threaded Axles - Allows for mounting of multiple accessories, positive containment of gear axles eliminate axle movement.
- Modular Adapter System - Provides common interfaces between multiple product groups
- Attachment Orientation - Provides for multiple orientations on power tool output drives
- Output Drives - Multiple socket profiles available
- Modular Housings - Allows for less costly repairs
- Accuracy +/- 15%

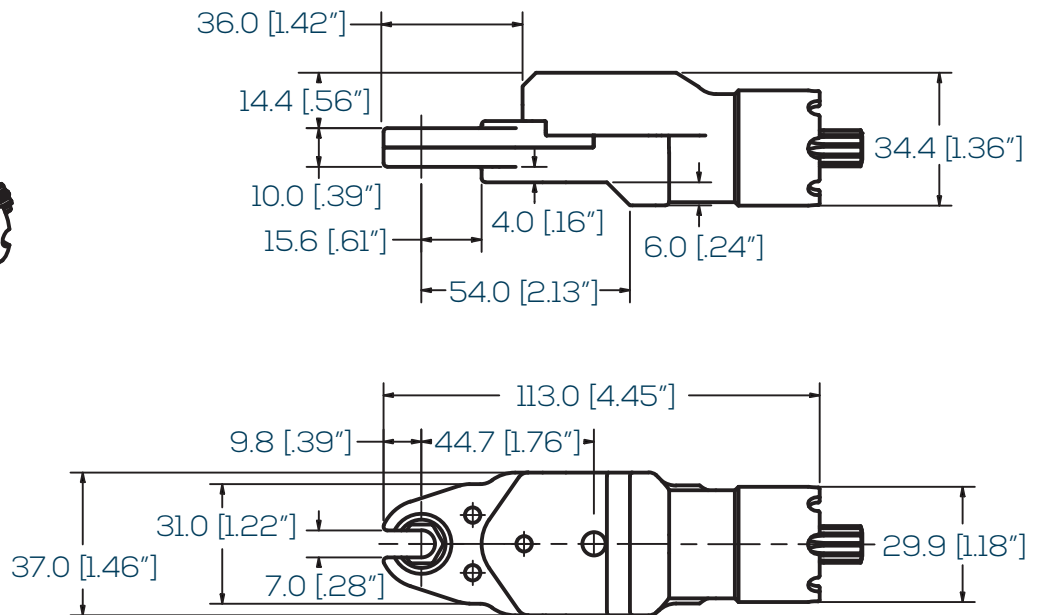
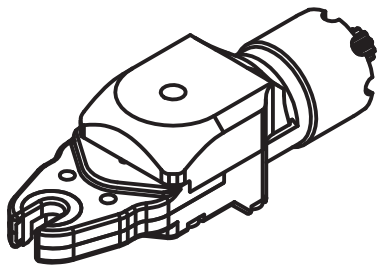
Maintenance & Service

- Traceability - Model number and serial number engraved on each attachment.
- Torx Head Cap Screws - Allows for more positive engagement than traditional fasteners
- Lubrication - External grease fittings allows for preventative maintenance.
- Parts List - Allows for ease of ordering spare/replacement parts; Supplied with all attachments

OE3-12-10-EX3

Inline Tubenut Attachment

**Max Torque:
12 Nm / 8.8 ft-lbs**



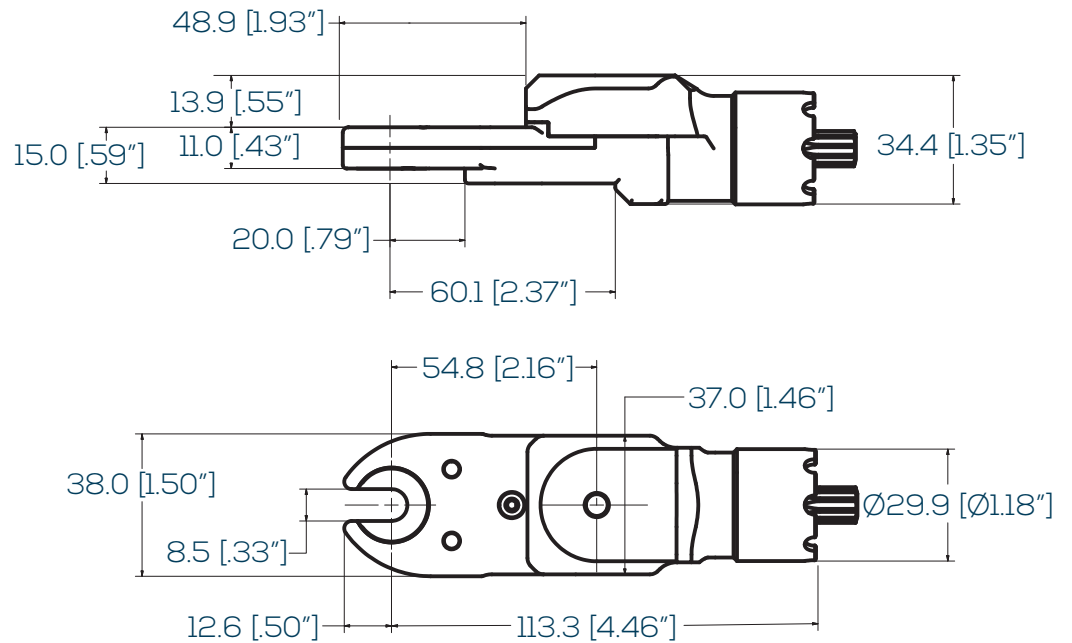
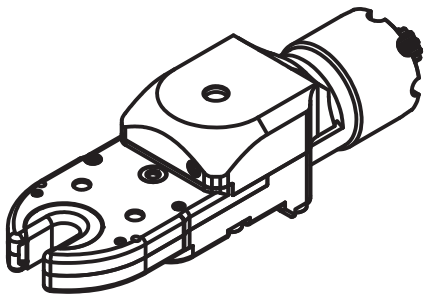
Specifications

Ordering Number	A1300015
Max Hex Size	10mm 3/8"
Ratio	1.4375:1
Efficiency	.70
Max Torque Output	12 Nm 8.9 ft-lbs
Adapter Series	EX3 Interface

OE3-18-14-EX3

Inline Tubenut Attachment

**Max Torque:
18 Nm / 13.3 ft-lbs**



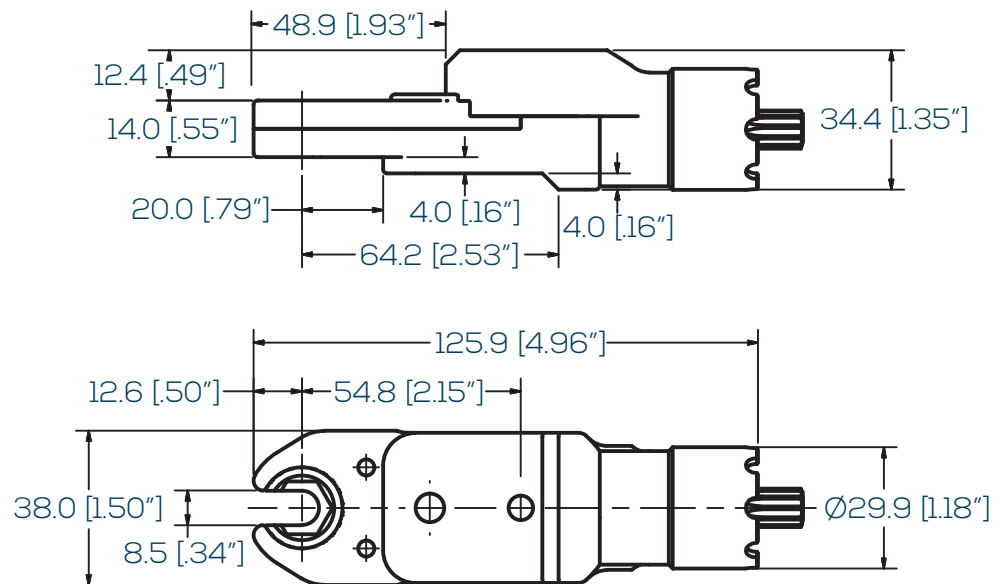
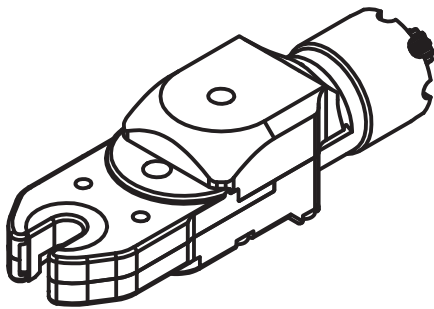
Specifications

Ordering Number	A1300033
Max Hex Size	14mm 9/16"
Ratio	1.4375:1
Efficiency	.70
Max Torque Output	18 Nm 13.3 ft-lbs
Adapter Series	EX3 Interface

OE3-27-14-EX3

Inline Tubenut Attachment

**Max Torque:
27 Nm / 19.9 ft-lbs**



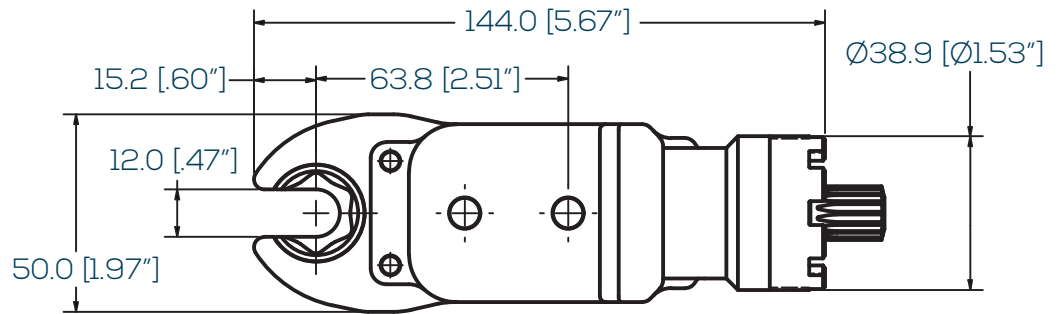
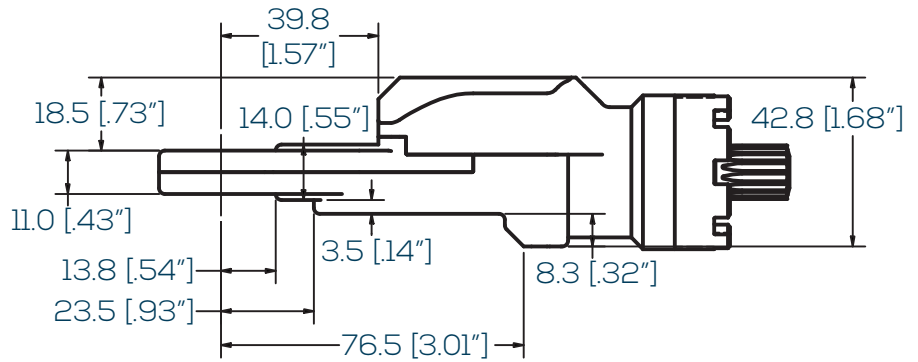
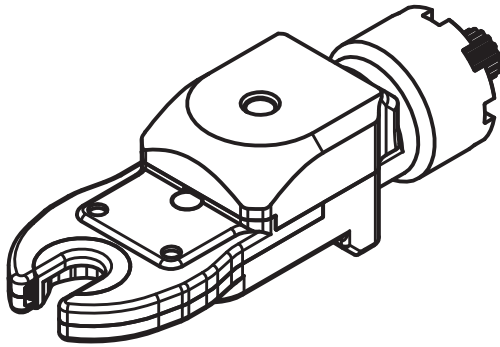
Specifications

Ordering Number	A1300005
Max Hex Size	14mm 9/16"
Ratio	1.4375:1
Efficiency	.70
Max Torque Output	27 Nm 19.9 ft-lbs
Adapter Series	EX3 Interface

OE3-29-17-EX4

Inline Tubenut Attachment

**Max Torque:
29 Nm / 21.7 ft-lbs**



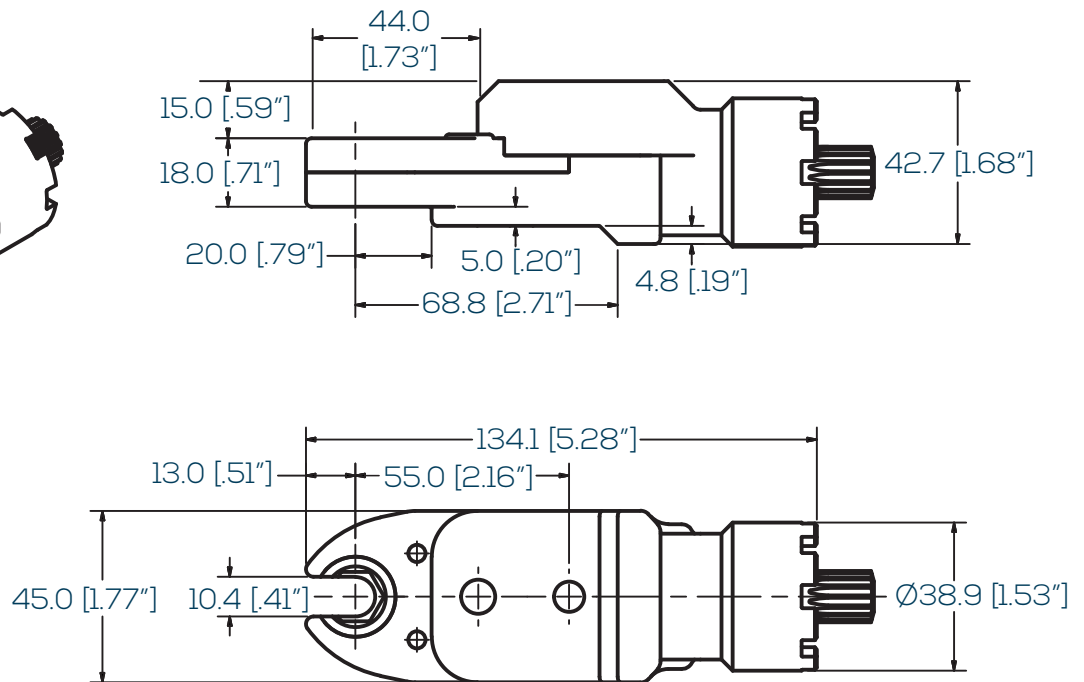
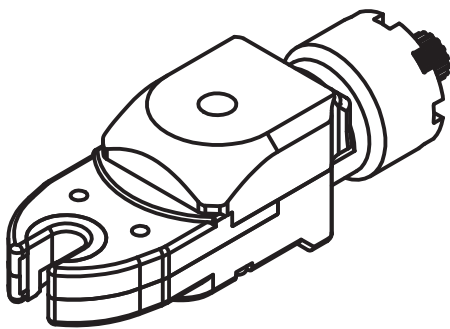
Specifications

Ordering Number	A1300028
Max Hex Size	17mm 11/16"
Ratio	1.71:1
Efficiency	.70
Max Torque Output	29 Nm 21.7 ft-lbs
Adapter Series	EX4 Interface

OE3-33-15-EX4

Inline Tubenut Attachment

**Max Torque:
33 Nm / 24.3 ft-lbs**



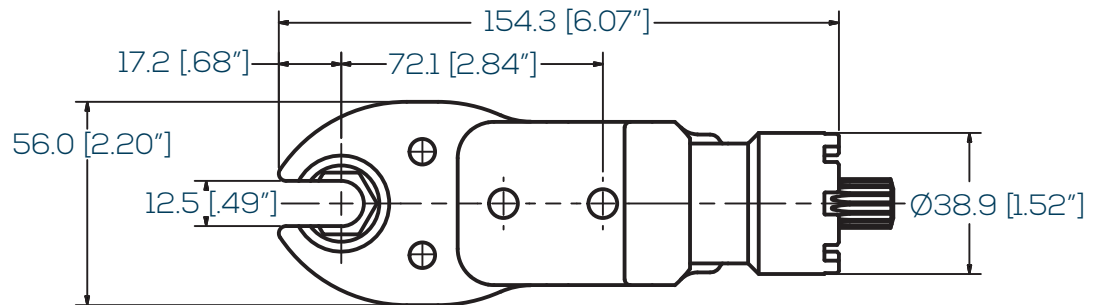
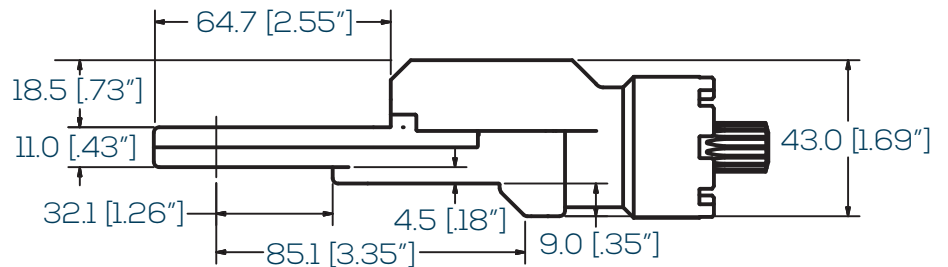
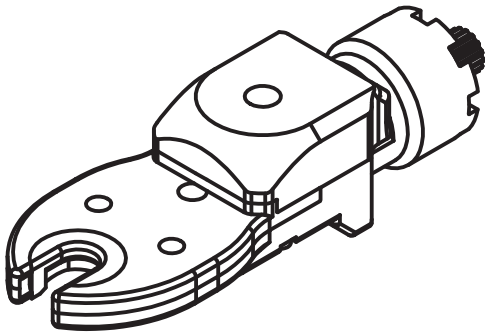
Specifications

Ordering Number	A1300023
Max Hex Size	15mm 9/16"
Ratio	1.476:1
Efficiency	.70
Max Torque Output	33 Nm 24.3 ft-lbs
Adapter Series	EX4 Interface

OE3-35-19-EX4

Inline Tubenut Attachment

**Max Torque:
35 Nm / 25.8 ft-lbs**



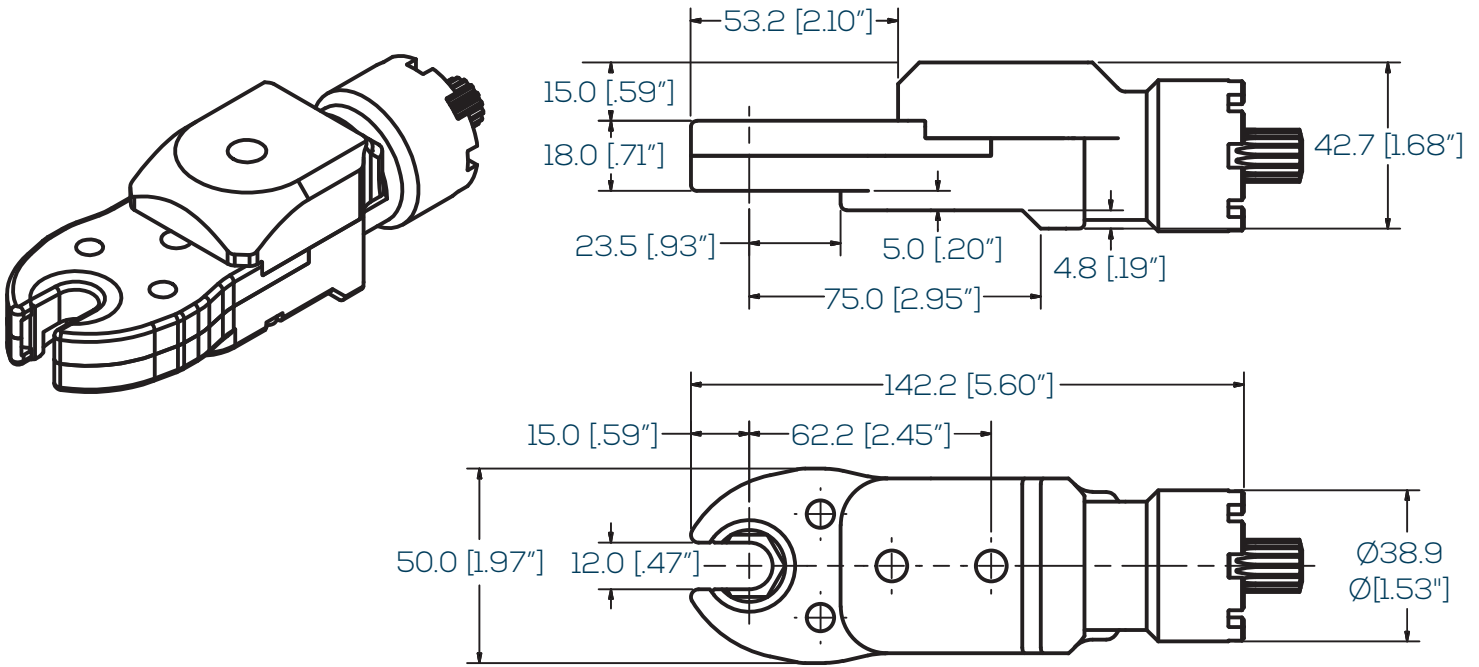
Specifications

Ordering Number	A1300012
Max Hex Size	19mm 3/4"
Ratio	1.87:1
Efficiency	.70
Max Torque Output	35 Nm 25.8 ft-lbs
Adapter Series	EX4 Interface

OE3-50-17-EX4

Inline Tubenut Attachment

**Max Torque:
50 Nm / 36.8 ft-lbs**



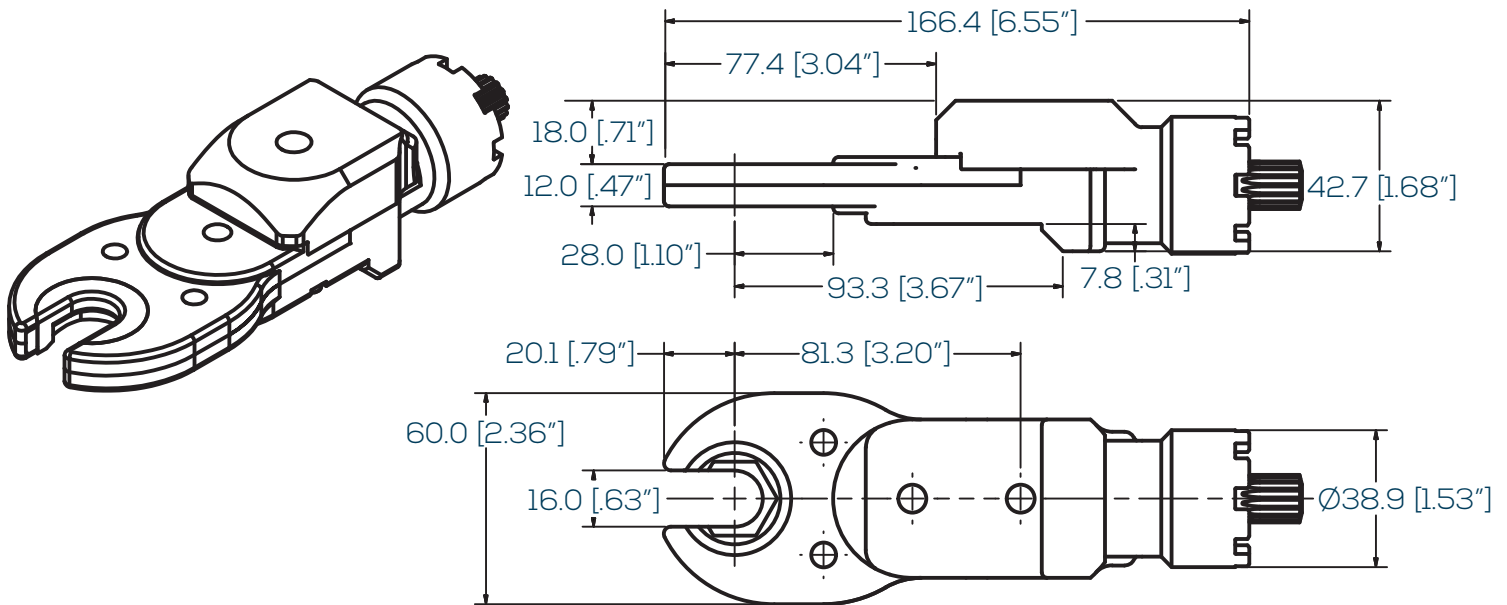
Specifications

Ordering Number	A1300006
Max Hex Size	17mm 11/16"
Ratio	1.63:1
Efficiency	.70
Max Torque Output	50 Nm 36.8 ft-lbs
Adapter Series	EX4 Interface

OE3-55-24-EX4

Inline Tubenut Attachment

**Max Torque:
55 Nm / 40.5 ft-lbs**



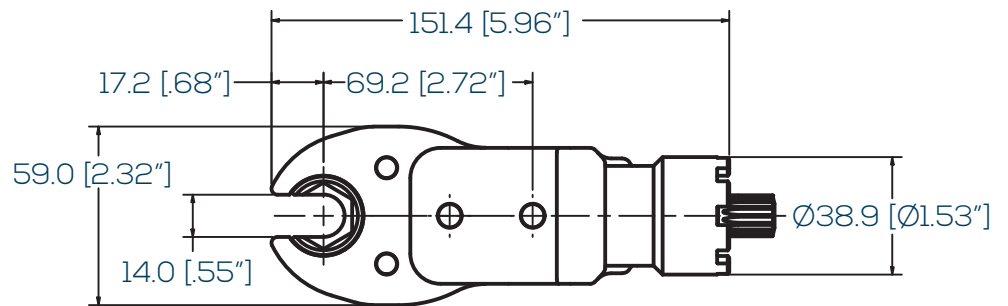
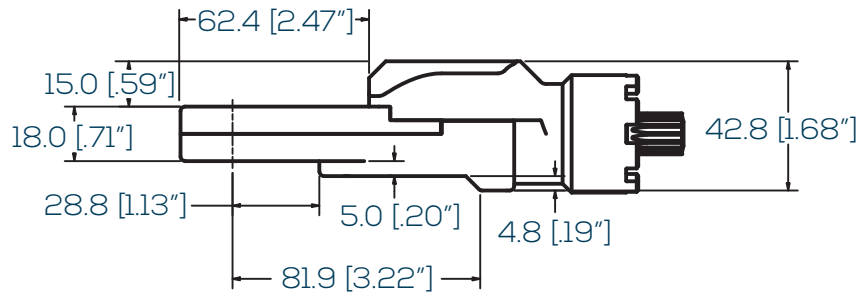
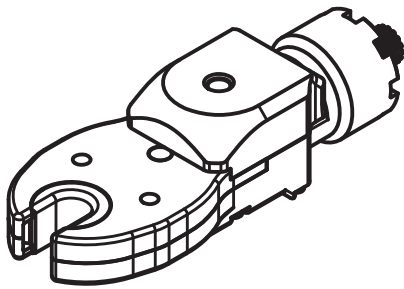
Specifications

Ordering Number	A1300021
Max Hex Size	24mm 15/16"
Ratio	2.21:1
Efficiency	.70
Max Torque Output	55 Nm 40.5 ft-lbs
Adapter Series	EX4 Interface

OE3-60-19-EX4

Inline Tubenut Attachment

**Max Torque:
60 Nm / 44.3 ft-lbs**



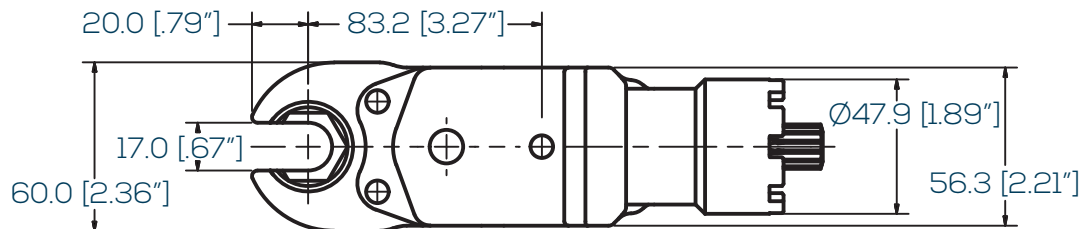
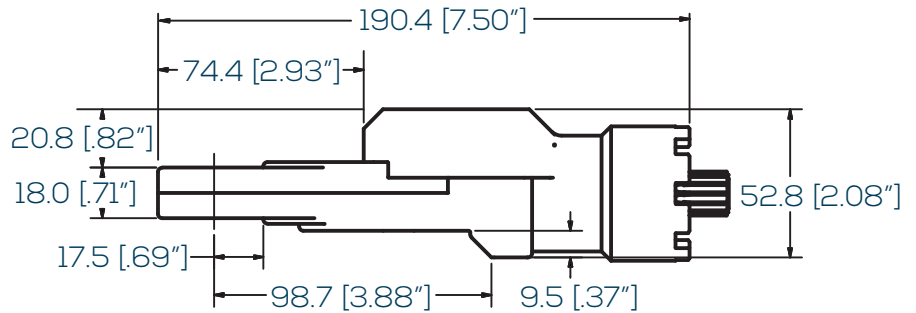
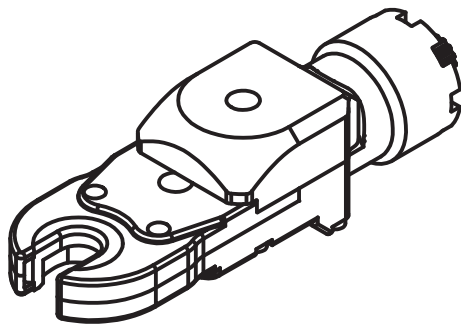
Specifications

Ordering Number	A1300034
Max Hex Size	19mm 3/4"
Ratio	1.864:1
Efficiency	.70
Max Torque Output	60 Nm 44.3 ft-lbs
Adapter Series	EX4 Interface

OE3-80-24-EX5

Inline Tubenut Attachment

**Max Torque:
80 Nm / 59 ft-lbs**



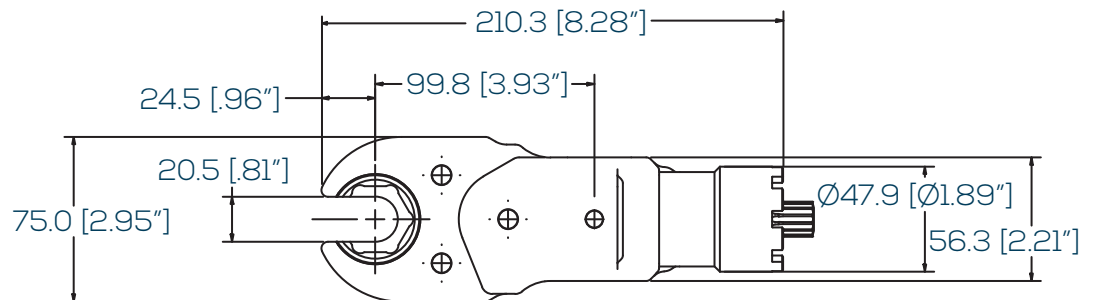
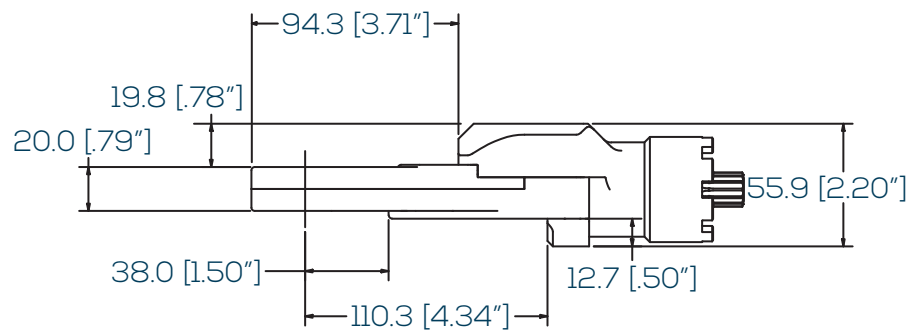
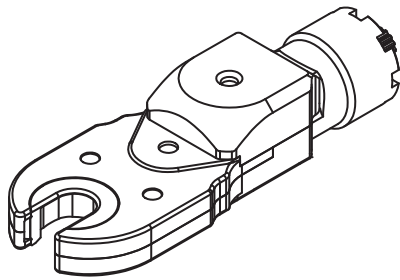
Specifications

Ordering Number	A1300030
Max Hex Size	24mm 15/16"
Ratio	1.94:1
Efficiency	.70
Max Torque Output	80 Nm 59 ft-lbs
Adapter Series	EX5 Interface

OE3-110-32-EX5

Inline Tubenut Attachment

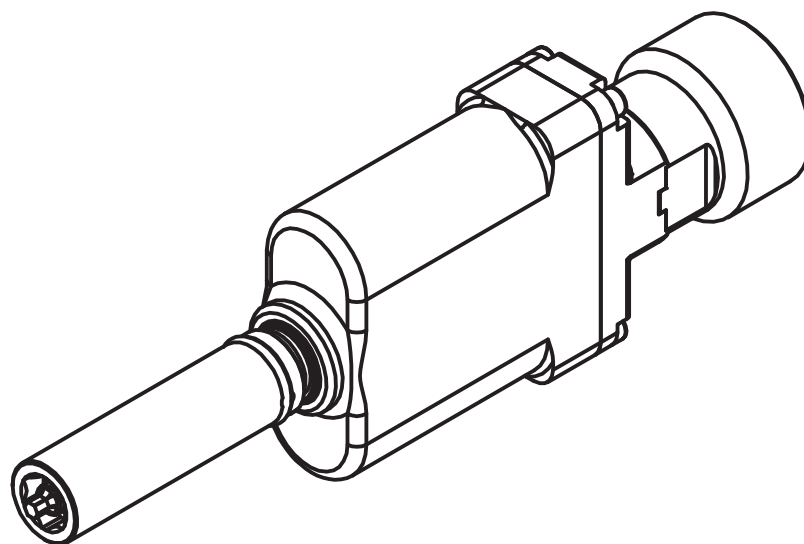
**Max Torque:
110 Nm / 81 ft-lbs**



Specifications

Ordering Number	A1300039
Max Hex Size	32mm 1 1/4"
Ratio	2.254:1
Efficiency	.70
Max Torque Output	110 Nm 81 ft-lbs
Adapter Series	EX5 Interface

Hold and Drive Attachments



Features & Benefits

- Optimized Materials and Heat Treatment – Provides high durability.
- Bearing Construction - Needle bearing support for input and idler gears.
- Modular Adapter System – Provides common interfaces between multiple product groups
- Output Drives - Multiple socket profiles available
- Efficiency – High efficiency, less torque loss

Maintenance & Service

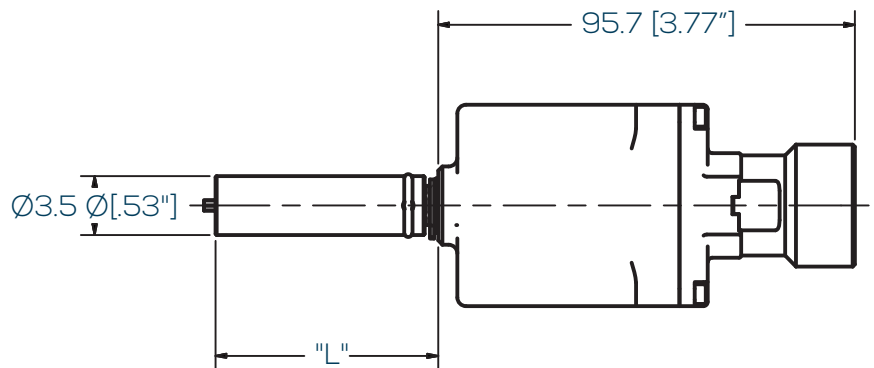
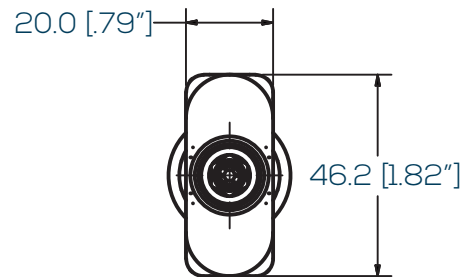
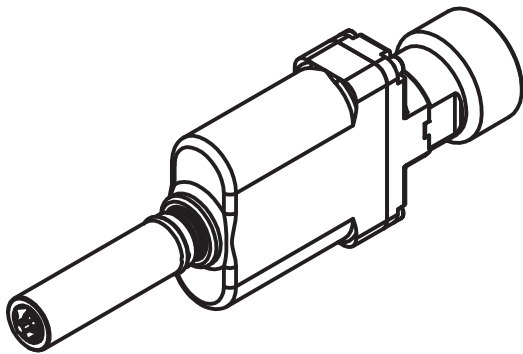
- Traceability – Model number and serial number engraved on each attachment.
- Torx Head Cap Screws - Allows for more positive engagement than traditional fasteners
- Parts List – Allows for ease of ordering spare/replacement parts; Supplied with all attachments

SE2-14-13

Inline Hold and Drive

Torque Control

Max Torque:
14 Nm / 10.8 ft-lbs



Specifications

Ordering Number	A1400002
Max Hex Size	13mm 1/2"
Ratio	1:1
Efficiency	.90
Max Torque Output	14 Nm 10.8 ft-lbs
Available Lengths (L)	2" 3"
Hold Key Sizes	1/16" 5/64" 3/32" 1/8"





MADE IN THE USA

Precision Products For Industry



E-Tech attachments have been designed to the highest engineering standards using CAD/CAM/FEA software. The latest technologies in precision machining, together with heat treatments add up to E-Tech attachments meeting the rigorous requirements of industry.



etechind.com | info@etechind.com

E-Tech
Industrial Corp.

121 Skyline Drive
P.O. Box 35
Troy, Pa 16947

P. 570-297-1300
F. 570-297-1306

